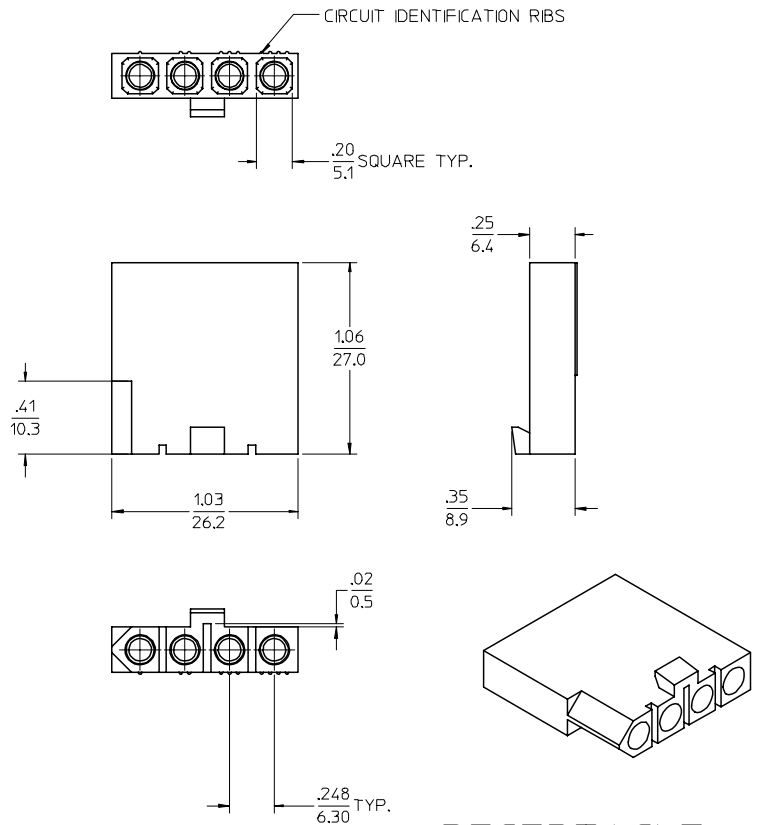


13 12 11 10 9 8 7 6 5 4 3 2 1

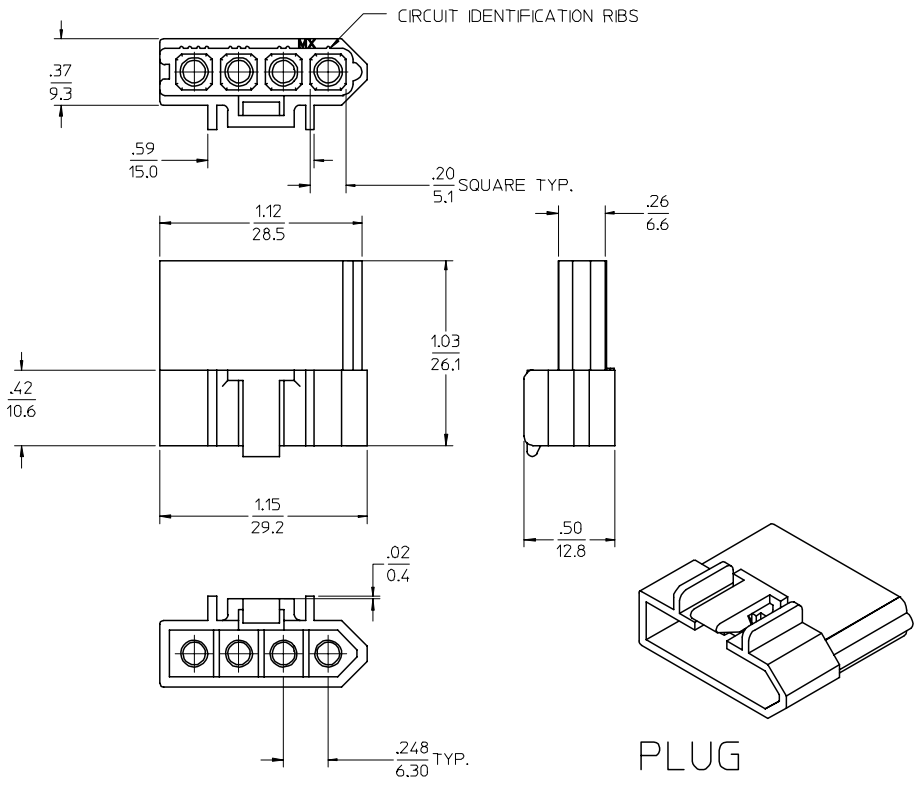
RECEPTACLE PLUG

ORDER NO.	ENG. NO.	ORDER NO.	ENG. NO.
03-09-1047	1816-4R	03-09-2048	1816-4P

- NOTES:  
 1. NYLON, UL94V-2  
 2. FINISH: N/A  
 3. PRODUCT SPECIFICATION: PS-02-09  
 4. PACKAGING SPECIFICATION: N/A



RECEPTACLE



PLUG

REDRAWN IN CAD EC NO: UCP2006-2209 DRAWN/PRI/DOR 2006/06/12 CHKD: AEL/HAG 2006/06/13 APPR: FSM/TH 2006/06/14 REVISION DESCRIPTION	QUALITY SYMBOLS	GENERAL TOLERANCES (UNLESS SPECIFIED)	DIMENSION STYLE	SCALE	DESIGN UNITS	THIRD ANGLE PROJECTION	
	▽=0 ▽=0	mm INCH 4 PLACES ± --- ± --- 3 PLACES ± --- ± .005 2 PLACES ± 0.13 ± .010 1 PLACE ± 0.25 ± --- ANGULAR ±1/2°	IN/MM DRAWN BY DATE BBM 1968/01/04 CHECKED BY DATE APPROVED BY DATE	2:1	INCH	☉ □ THIRD ANGLE PROJECTION	
	DRAFT WHERE APPLICABLE MUST REMAIN WITHIN DIMENSIONS			MATERIAL NO. SEE CHART	DOCUMENT NO. SD-1816-4	.093/(2.36) HOUSINGS PLUG & RECEPTACLE 4 CKT, .248/(6.30) CTRS.	
				SIZE C	MOLEX INCORPORATED		
			THIS DRAWING CONTAINS INFORMATION THAT IS PROPRIETARY TO MOLEX INCORPORATED AND SHOULD NOT BE USED WITHOUT WRITTEN PERMISSION		SHEET NO. 1 OF 1		

12 11 10 9 8 7 6 5 4 3 2 1