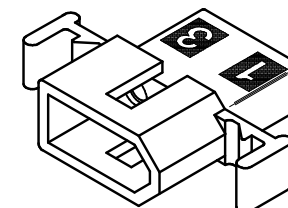
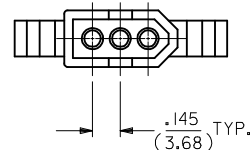
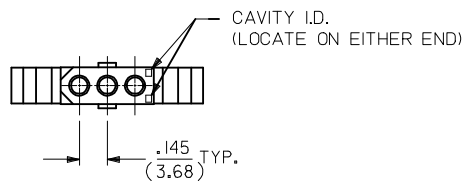
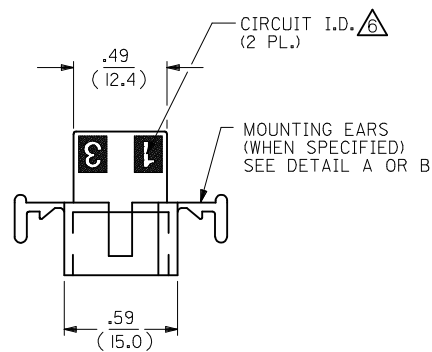
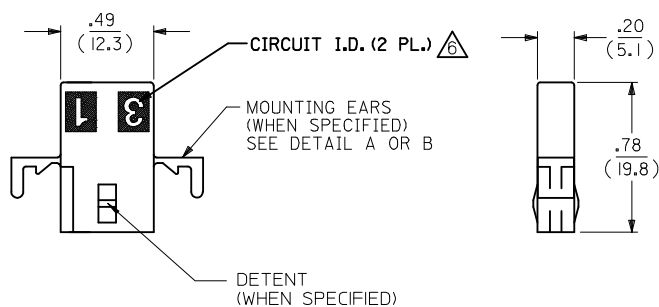
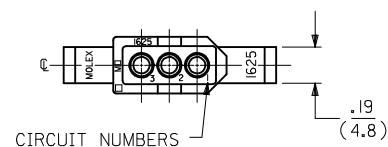
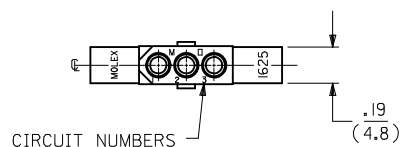


RECEPTACLE

PLUG



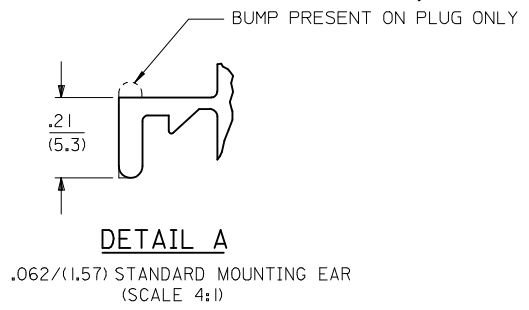
PLUG HOUSING
SHOWN WITH STANDARD EARS

RECEPTACLE HOUSING
SHOWN WITH STANDARD EARS

0306031 OBSOLETE IEC NO: UCP2015-0278 DRWN:KIPPER 2014/07/22 CHKD:JBELL 2014/07/24 APPR:FSMITH 2014/07/31 M4	QUALITY SYMBOLS $\nabla=0$ $\nabla=0$ $\nabla=0$	GENERAL TOLERANCES (UNLESS SPECIFIED)		DIMENSION STYLE IN/MM		SCALE 2:1	DESIGN UNITS INCH	THIRD ANGLE PROJECTION		
		4 PLACES	± ---	± ---	DRAWN BY	DATE	TITLE PLUG AND RECEPTACLE HOUSINGS, 3 CIRCUIT, .062 DIA. molex			
		3 PLACES	± ---	± .010	CHECKED BY	DATE				
		2 PLACES	± 0.25	± .014	RW	1/26/89				
1 PLACE	± 0.35	± ---	APPROVED BY	DATE	DOCUMENT NO. SD-1625-3*					
0 PLACE	± ---	± ---	FSMITH	2014/07/31						
		ANGULAR ±1/2°		MATERIAL NO.						
		DRAFT WHERE APPLICABLE MUST REMAIN WITHIN DIMENSIONS		SEE CHART		SHEET NO. 1 OF 2				
				SIZE C		THIS DRAWING CONTAINS INFORMATION THAT IS PROPRIETARY TO MOLEX INCORPORATED AND SHOULD NOT BE USED WITHOUT WRITTEN PERMISSION				

PLUG		
PART NO.	ENG. NO.	
03-06-2031	I625-3P	
03-06-2032	I625-3P1	
03-06-2034	I625-3P4BK	
03-06-7032	I625-3P1BK	OBSOLETE
03-06-2033	I625-3P4	

RECEPTACLE		
PART NO.	ENG. NO.	
03-06-1033	I625-3R2	
03-06-1031	I625-3R	
03-06-1032	I625-3R1	
03-06-6031	I625-3RBK	OBSOLETE
03-06-6032	I625-3R1BK	OBSOLETE
03-06-1034	I625-3R3	
03-06-1038	I625-3R4	

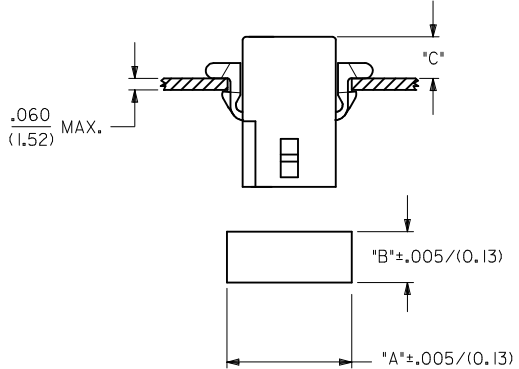


LEGEND:
 1625-3****
 CIRCUIT SIZE
 P = PLUG
 R = RECEPTACLE

OPTION	STANDARD EARS (PER DETAIL A)	PREBENT EARS (PER DETAIL B)	DETENTS
BLANK	X		X
1			X
2			
3	X		
4		X	X

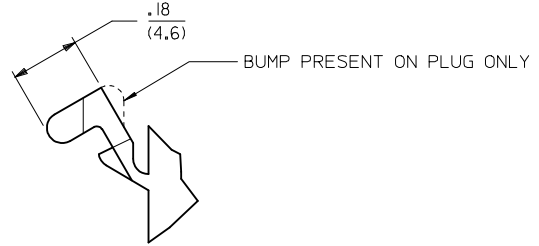
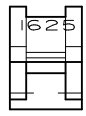
X = PRESENT

COLOR:
 BLANK = NATURAL COLOR
 AM = AMBER BK = BLACK BU = BLUE
 BN = BROWN GY = GRAY GN = GREEN
 OR = ORANGE RD = RED YW = YELLOW



HOUSING	DIM. "A"	DIM. "B"	"C" PREBENT EAR	"C" STANDARD EAR
PLUG	.754/(19.15)	.318/(8.08)	.19/(4.8)	.18/(4.6)
RECEPT.	.650/(16.51)	.265/(6.73)	.21/(5.3)	.20/(5.1)

RECOMMENDED PANEL OPENING



DETAIL B

.062/(1.57) PREBENT MOUNTING EAR (SCALE 4:1)

- NOTES:-
- MATERIAL: NYLON TYPE 6/6, 94V-2.
 - FINISH: NONE.
 - PRODUCT SPECIFICATION: PS-02-06.
 - PACKAGING SPECS: BULK PACK PER PK-1625-003.
 - ACCEPTS MOLEX .062" SERIES TERMINALS.

⚠ ETCHED CIRCUIT I.D. NUMBERS ON HOUSING MAY OR MAY NOT BE PRESENT.

7. PARTS CONFORM TO CLASS B REQUIREMENTS OF COSMETIC SPECIFICATION PS-45499-002.

SEE SHEET 1 EC NO: UCP2015-0278 DRAWN: KIPPER 2014/07/22 CHKD: BELM 2014/07/24 APPR: FSMITH 2014/07/31	QUALITY SYMBOLS ▽=0 ▽=0 ▽=0	GENERAL TOLERANCES (UNLESS SPECIFIED) mm INCH 4 PLACES ± --- ± --- 3 PLACES ± --- ±.010 2 PLACES ± 0.25 ±.014 1 PLACE ± 0.35 ± --- 0 PLACE ± --- ± ---	DIMENSION STYLE IN/MM DRAWN BY DATE KBW 1/26/89 CHECKED BY DATE RW 1/26/89 APPROVED BY DATE FSMITH 2014/07/31	SCALE 2:1 DESIGN UNITS INCH THIRD ANGLE PROJECTION	TITLE PLUG AND RECEPTACLE HOUSINGS, 3 CIRCUIT, .062 DIA. molex MATERIAL NO. SD-1625-3* DOCUMENT NO.	SHEET NO. 2 OF 2
	DRAFT WHERE APPLICABLE MUST REMAIN WITHIN DIMENSIONS		ANGULAR ±1/2°	SEE CHART	THIS DRAWING CONTAINS INFORMATION THAT IS PROPRIETARY TO MOLEX INCORPORATED AND SHOULD NOT BE USED WITHOUT WRITTEN PERMISSION	
	M4	REV				