

13

12

11

10

9

8

7

6

5

4

3

2

1

J

I

H

G

F

E

D

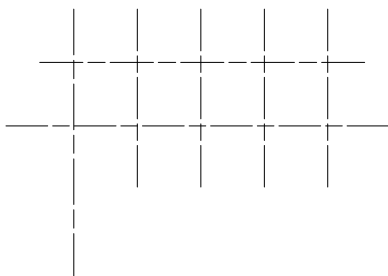
C

B

A

--

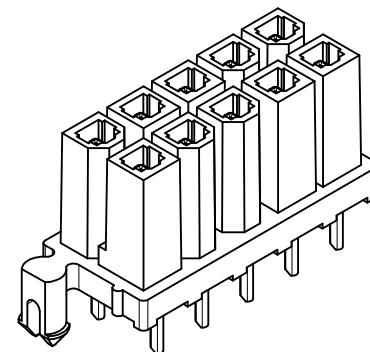
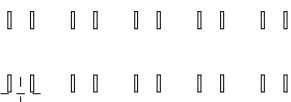
--



--

--

--



QUALITY SYMBOLS	GENERAL TOLERANCES (UNLESS SPECIFIED)		DRAWN BY	DATE	TITLE	THIRD ANGLE PROJECTION	
		mm					INCH
	=0	4 PLACES	± ---	± ---	CHECKED BY	DATE	MOLEX INCORPORATED
	=0	3 PLACES	± ---	± .010			
=0	2 PLACES	± 0.25	± .015	APPROVED BY	DATE	SDA-44475-****	
=0	1 PLACE	± 0.38	± ---				
ANGULAR ± 5 °							
DRAFT WHERE APPLICABLE MUST REMAIN WITHIN DIMENSIONS			SIZE				

12

11

10

9

8

7

6

5

4

3

2

1