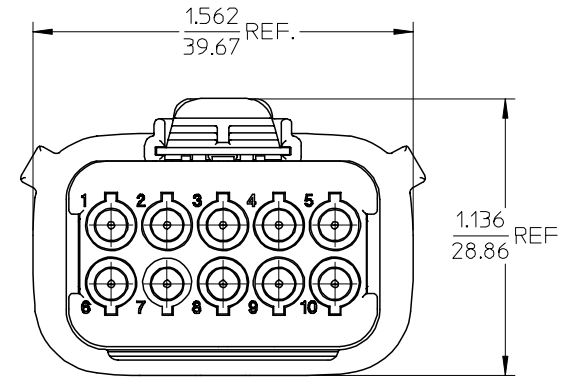
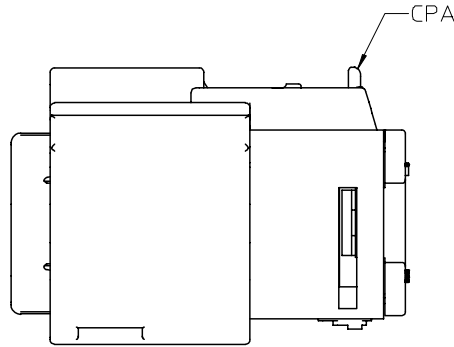
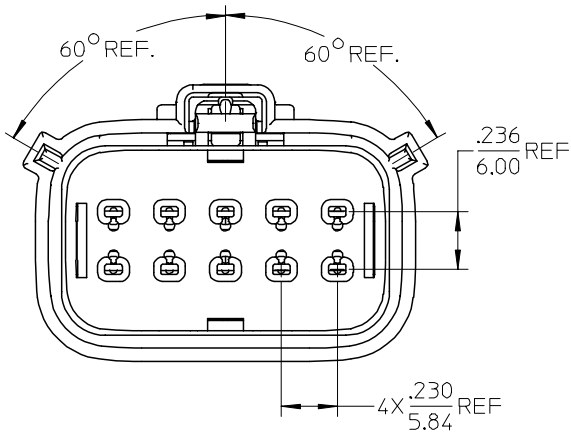
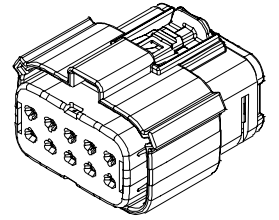


19418-0025	16-14	NO
19418-0024	22-18	
19418-0013	16-14	YES
19418-0014	22-18	
MATERIAL NUMBER	UL WIRE AWG	CPA



NOTES:

1. MATERIALS:  
HOUSING: POLYESTER (PBT), GLASS FILLED, UL94 V-0,  
COLOR: BLACK.  
SEALS: SILICONE RUBBER.
2. PRODUCT SPECIFICATION: PS-19417-001.
3. PACKAGING SPECIFICATION: PK-19418-001.
4. MATES WITH: 19419 SERIES PLUG ASSEMBLIES.
5. USE CONNECTOR WITH FEMALE CRIMP TERMINAL  
SERIES 19420.

REVISED EC NO: ETC2006-0164 DRWN: JPWLICK 2006/01/12 CHKD: JPWLICK 2006/01/12 APPR: RDEROSS 2006/01/13	DESCRIPTION B1	QUALITY SYMBOLS $\nabla=0$ $\nabla=0$	GENERAL TOLERANCES (UNLESS SPECIFIED)	DIMENSION STYLE IN/MM	SCALE 2:1	DESIGN UNITS INCH	THIRD ANGLE PROJECTION		
					DRAWN BY BRUPERT	DATE 01/22/03	TITLE 10 WAY RECEPTACLE ASSEMBLY, KEY A POLARIZATION		
						CHECKED BY JPWLICKI	DATE 01/23/03	MOLEX INCORPORATED	
						APPROVED BY RDEROSS	DATE 01/25/03	DOCUMENT NO. SD-19418-005	
				MATERIAL NO. SEE CHART		SHEET NO. 1 OF 1			
			DRAFT WHERE APPLICABLE MUST REMAIN WITHIN DIMENSIONS	THIS DRAWING CONTAINS INFORMATION THAT IS PROPRIETARY TO MOLEX INCORPORATED AND SHOULD NOT BE USED WITHOUT WRITTEN PERMISSION					