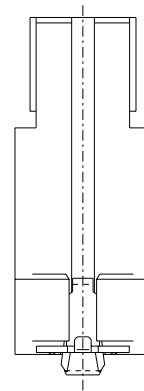
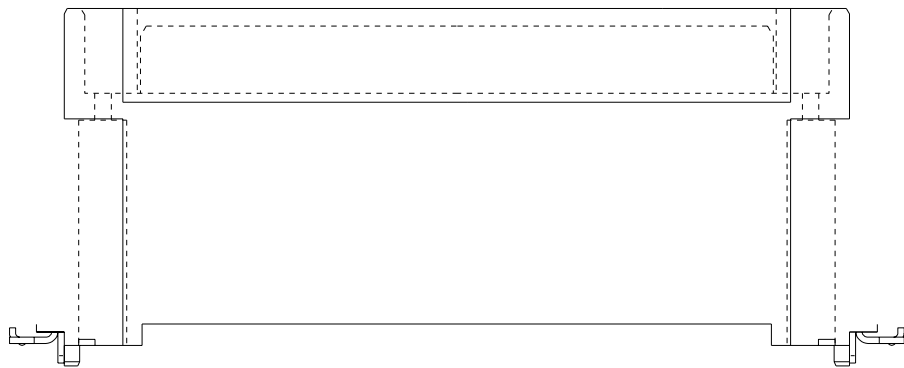
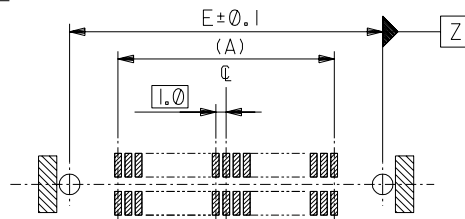
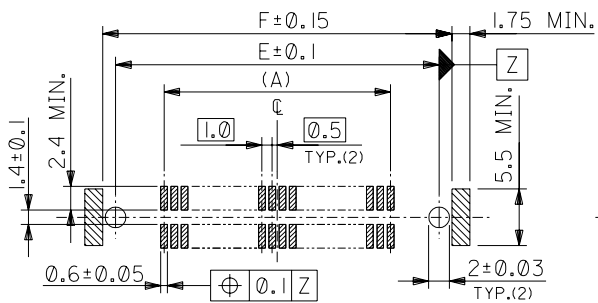


1.0



LOCK



(50 CKTS.)

40.9	38.4	32.4	44.2	36.02	29	53408-0670	60
35.9	33.4	27.4	39.2	31.02	24	53408-0570	50
F	E	D	C	B	(A)		NO.OF CKTS.

SEE NOTES

SEE NOTES

— # —
— # —

1.0 B-T0-B
S/T PLUG HS'G ASS'Y