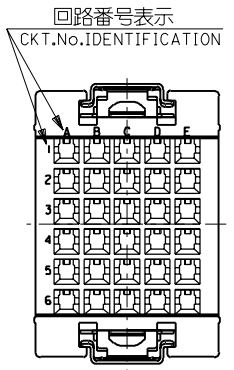
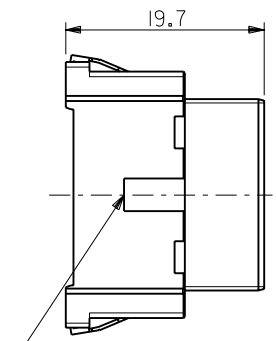


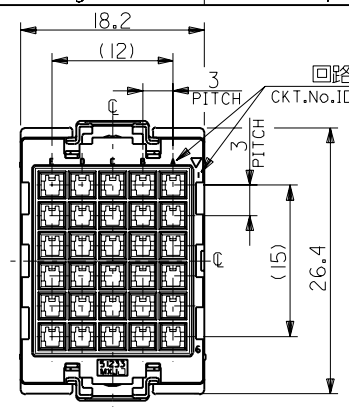
DWG. NO. SD-51233-009



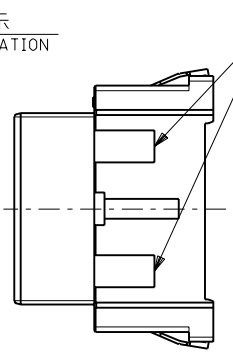
電線挿入側
WIRE SIDE



シェル挿入方向キー
POLARIZATIONS KEY FOR SHELL



嵌合側
MATING SIDE



シェル挿入方向キー
POLARIZATIONS KEY FOR SHELL

注記
NOTES

- 材質 MATERIAL
①ハウジング：ガラス入りPBT樹脂 HOUSING : PBT G.F.
UL94V-0 色：黒 UL94V-0 COLOR : BLACK
②スプリング：ステンレス鋼 t0.3 SPRING : STAINLESS STEEL t0.3
- 適用端子：56116-8*90, 56117-8*90, 56118-8*90, 56119-8*90
APPLICABLE CRIMP PIN : 56116-8*90, 56117-8*90, 56118-8*90, 56119-8*90
- 適用リセプタクル シェル：56377-30**
APPLICABLE RECEPTACLE SHELL : 56377-30**
- 嵌合相手：51239-300*
MEET WITH : 51239-300*

<誤嵌合防止キー(極性)タイプ> <POLARITY KEY TYPE>

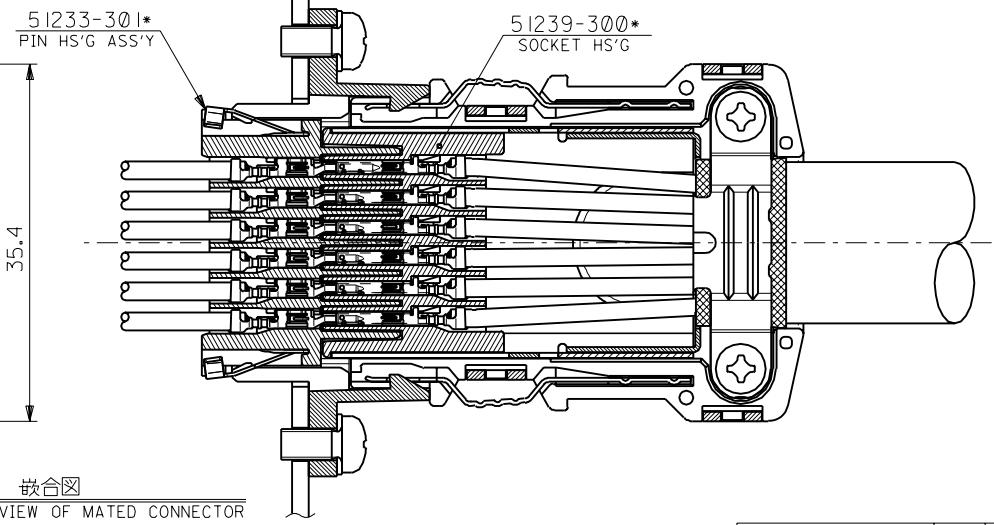
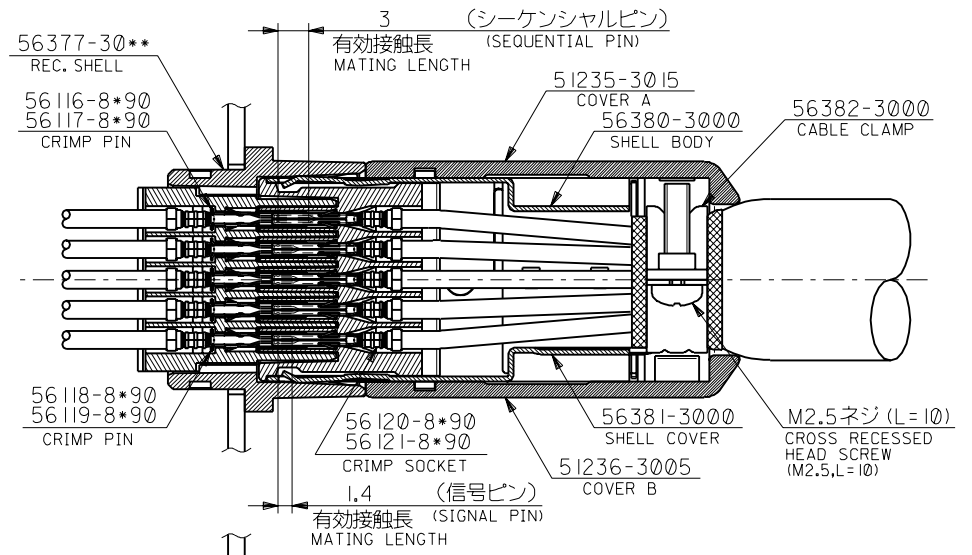
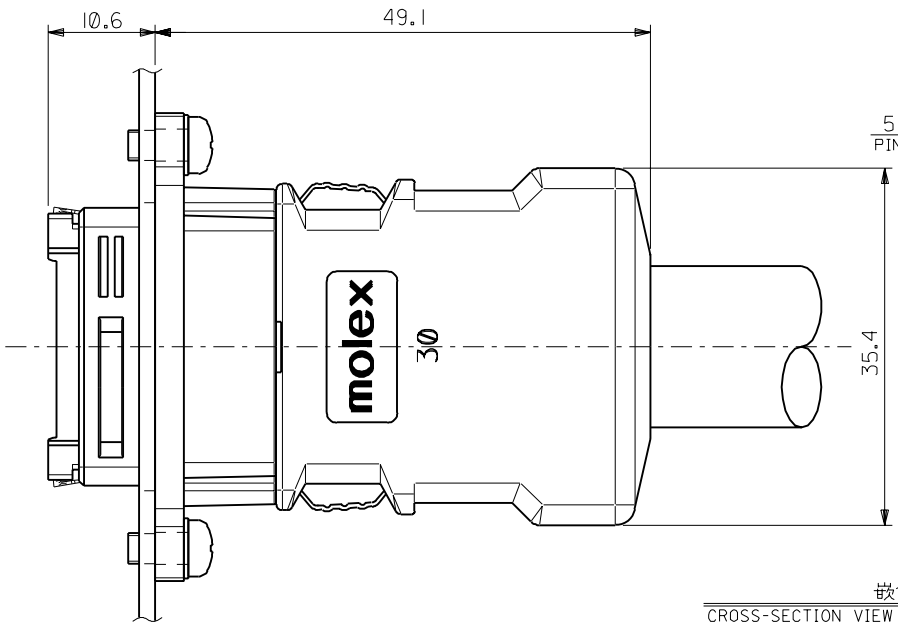
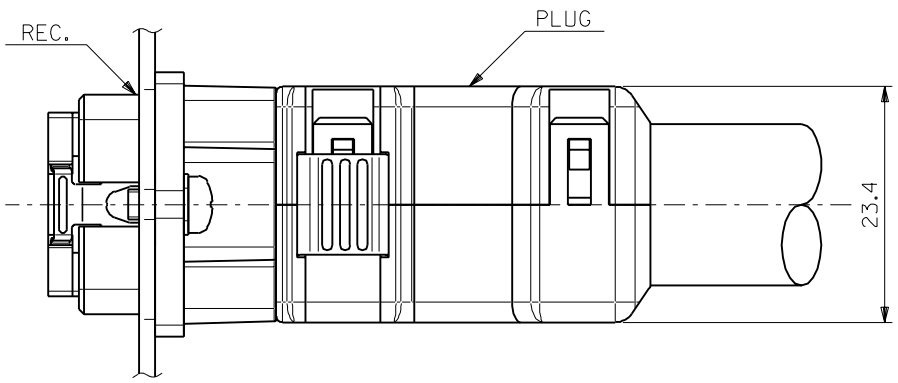
51233-3011	51233-3012	51233-3013	51233-3014	51233-3015
STANDARD TYPE	A TYPE	B TYPE	C TYPE	D TYPE

B-3	D	51233-3015	51233-***1*	30
D-4	C	51233-3014		
C-4	B	51233-3013		
C-3	A	51233-3012		
—	STANDARD	51233-3011		
POLARITY POSITION (CIRCUIT No.)	POLARITY TYPE	MATERIAL No.	MODEL No.	CIRCUIT

DO NOT SCALE DRAWING

EC NO. DRWN: CHK: APPR:	EC NO. DRWN: CHK: APPR:	EC NO. DRWN: CHK: APPR:	REVISED 01/10/04 EC NO. J2002-0786 DRWN: S.AKIYAMA CHK: J.MIYAZAWA APPR: YO.ITO	RELEASED 01/02/16 EC NO. JD2001-1040 DRWN: S.AKIYAMA CHK: J.MIYAZAWA APPR: H.IKESUGI	MATERIAL 材料 #	注記参照 SEE NOTES	GENERAL TOLERANCES: (UNLESS SPECIFIED) 一般公差	SCALE 2-1	DESIGN UNITS 2-1	THIRD ANGLE PROJECTION	DIMENSIONS: mm INCH	SHT	REV
					FINISH 仕上げ	#	10 UNDER 未満 ±0.2	30 UNDER 未満 ±0.25	30 OVER 以上 ±0.3	ANGLE 角度 ±3°	mm INCH		
					WIRE RANGE 適用線径範囲	#					mm ONLY		
					INS. RANGE 被覆外径	#					REVISE ON CAD ONLY		
											TITLE:		
											COMPACT ROBOT CONN. (CRC) REC. PIN HS'G ASS'Y		
											MOLEX MOLEX INCORPORATED		
											MATERIAL NO. SEE CHART	DRAWING NO. SD-51233-009	SHEET NO. 1 OF 4
											THIS DRAWING CONTAINS INFORMATION THAT IS PROPRIETARY TO MOLEX INCORPORATED AND SHOULD NOT BE USED WITHOUT WRITTEN PERMISSION.		SIZE B

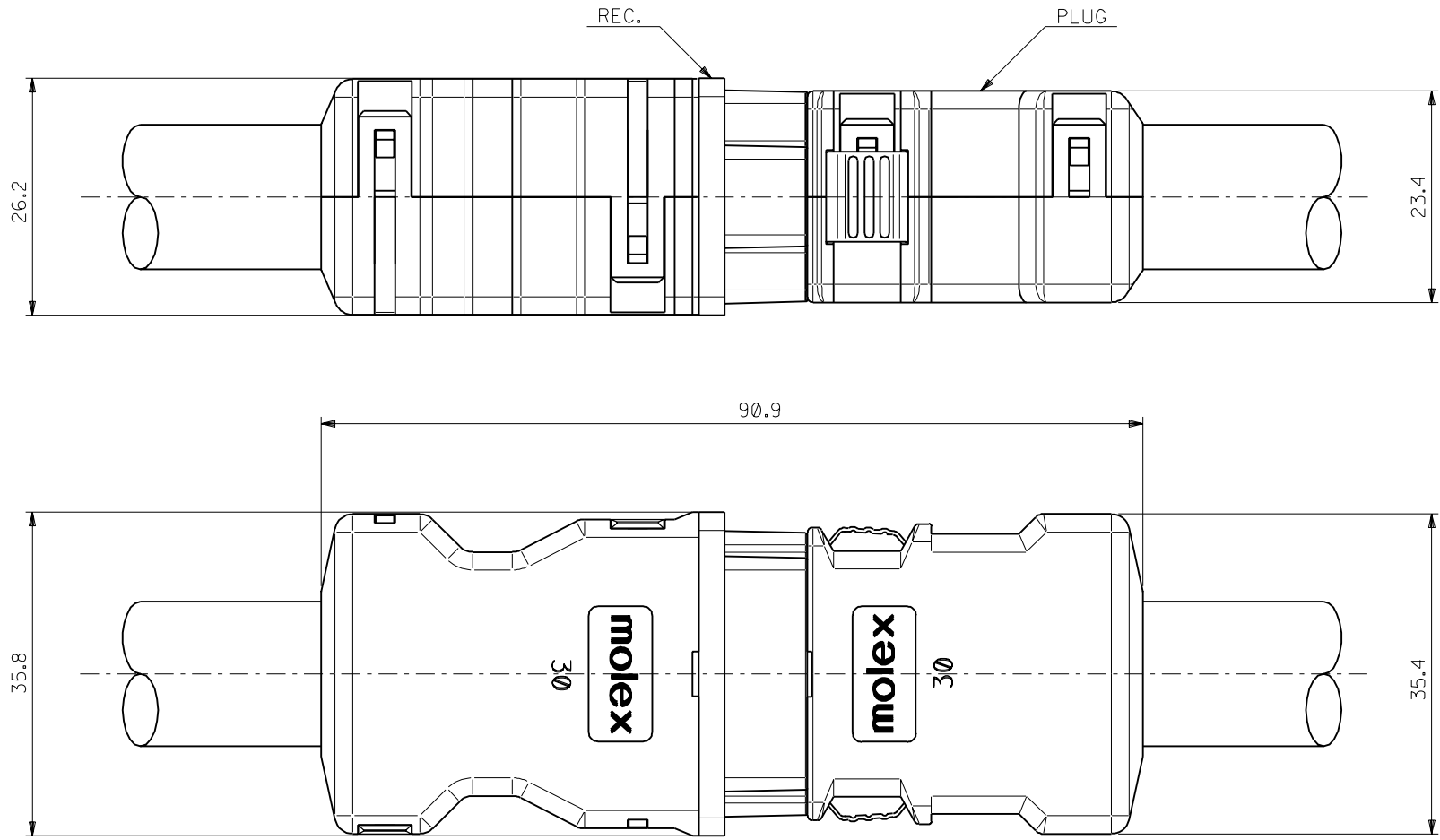
DWG. NO. SD-51233-009



嵌合図
CROSS-SECTION VIEW OF MATED CONNECTOR

DO NOT SCALE DRAWING

EC NO. DRWN: CH'K: APPR:		EC NO. DRWN: CH'K: APPR:		EC NO. DRWN: CH'K: APPR:		REVISED 01/10/04 EC NO. J2002-0786 DRWN: S. AKIYAMA CH'K: J. MIYAZAWA APPR: YO. ITO		A		REVISED 01/02/16 EC NO. JD2001-1040 DRWN: S. AKIYAMA CH'K: J. MIYAZAWA APPR: H. IKESUGI		Ø		MATERIAL 材料 注記参照 SEE NOTES		FINISH 仕上げ —		WIRE RANGE 適用線径範囲 —		INS. RANGE 被覆外径 —		GENERAL TOLERANCES: (UNLESS SPECIFIED) 一般公差		SCALE 2-1 DESIGN UNITS mm □ INCH		THIRD ANGLE PROJECTION		DIMENSIONS: mm □ INCH □ mm ONLY		SHT REVISE ON CAD ONLY		REV	
10 UNDER 未満		±0.2		10 OVER 以上		30 UNDER 未満		±0.25		30 OVER 以上		±0.3		ANGLE 角度		±3°		DRAWN BY & DATE <i>S. Akiyama</i> / 01/25		CHECKED BY & DATE <i>J. Miyazawa</i> / 2/06		APPROVED BY & DATE <i>Yo. Ito</i>		CAD FILE NAME 51233009.S02		TITLE: COMPACT ROBOT CONN. (CRC) REC. PIN HS'G ASS'Y		MATERIAL NO. SEE CHART		DRAWING NO. SD-51233-009		SHEET NO. 2 OF 4	
MOLEX INCORPORATED																								THIS DRAWING CONTAINS INFORMATION THAT IS PROPRIETARY TO MOLEX INCORPORATED AND SHOULD NOT BE USED WITHOUT WRITTEN PERMISSION.		SIZE B							



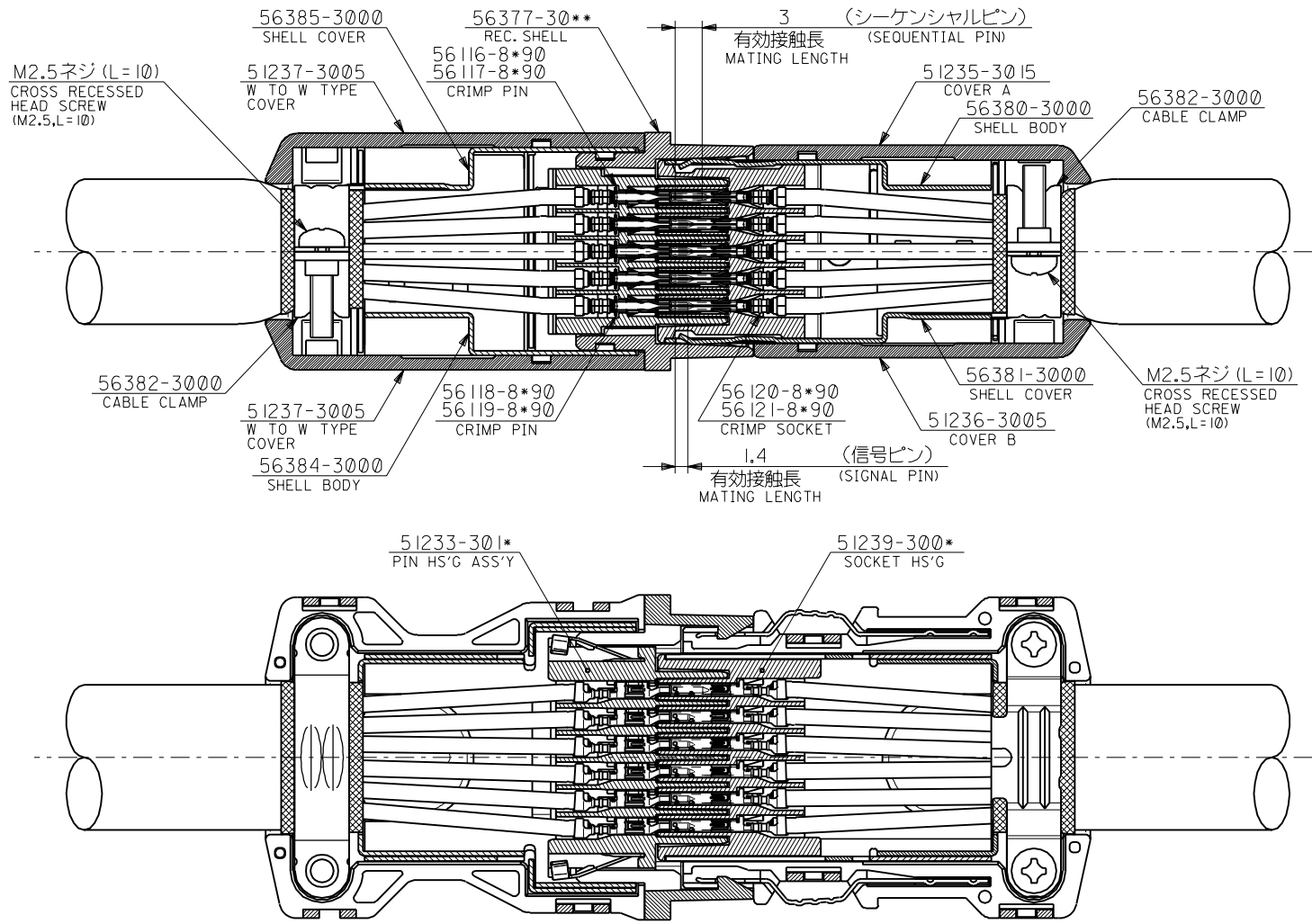
嵌合図 (中継タイプ)
CROSS-SECTION VIEW OF MATED CONNECTOR
(WIRE TO WIRE TYPE)

DO NOT SCALE DRAWING

EC NO. DRWN: CHK: APPR:	EC NO. DRWN: CHK: APPR:	EC NO. DRWN: CHK: APPR:	REVISED 01/10/04	MATERIAL 材料	GENERAL TOLERANCES: (UNLESS SPECIFIED) 一般公差	SCALE 2-1	DESIGN UNITS mm INCH	THIRD ANGLE PROJECTION	DIMENSIONS: mm INCH mm INCH	SHT	REV		
			EC NO. J2002-0786 DRWN: S.AKIYAMA CHK: J.MIYAZAWA APPR: YO.ITO									FINISH 仕上げ	10 UNDER 未満
A	Ø	Ø	RELEASED 01/02/16	DESCRIPTION	WIRE RANGE 適用電線範囲	10 OVER 以上	30 UNDER 未満	±0.25	CHECKED BY & DATE J. Miyazawa / Y. Ito	APPROVED BY & DATE Yo. Ito	MATERIAL NO. SEE CHART	DRAWING NO. SD-51233-009	SHEET NO. 3 OF 4
			EC NO. JD2001-1040 DRWN: S.AKIYAMA CHK: J.MIYAZAWA APPR: H.IKESUGI										
				注記参照 SEE NOTES		ANGLE 角度	±3°		THIS DRAWING CONTAINS INFORMATION THAT IS PROPRIETARY TO MOLEX INCORPORATED AND SHOULD NOT BE USED WITHOUT WRITTEN PERMISSION.			EN-02J(097) MXJ-54	

51233009:303

DWG. NO. SD-51233-009



嵌合図 (中継タイプ)
CROSS-SECTION VIEW OF MATED CONNECTOR
(WIRE TO WIRE TYPE)

DO NOT SCALE DRAWING

EC NO. DRWN: CHK: APPR:	EC NO. DRWN: CHK: APPR:	EC NO. DRWN: CHK: APPR:	REVISED 01/10/04	MATERIAL 材料	GENERAL TOLERANCES: (UNLESS SPECIFIED) 一般公差	SCALE 2-1	DESIGN UNITS <input checked="" type="checkbox"/> mm <input type="checkbox"/> INCH	THIRD ANGLE PROJECTION	DIMENSIONS: <input type="checkbox"/> mm <input type="checkbox"/> INCH <input checked="" type="checkbox"/> mm ONLY	SHT REVISE ON CAD ONLY	REV
			EC NO. J2002-0786 DRWN: S.AKIYAMA CHK: J.MIYAZAWA APPR: Y.O.IITO								
A	0		RELEASED 01/02/16	FINISH 仕上げ	10 OVER 以上	30 UNDER 未満	±0.25	APPROVED BY & DATE <i>J. Miyazawa</i> / 01/25	MATERIAL NO. SEE CHART	DRAWING NO. SD-51233-009	SHEET NO. 4 OF 4
			EC NO. JD2001-1040 DRWN: S.AKIYAMA CHK: J.MIYAZAWA APPR: H.IKESUGI								
				INS. RANGE 被覆外径			ANGLE 角度	±3°			

THIS DRAWING CONTAINS INFORMATION THAT IS PROPRIETARY TO MOLEX INCORPORATED AND SHOULD NOT BE USED WITHOUT WRITTEN PERMISSION.