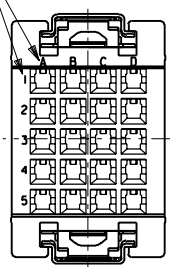
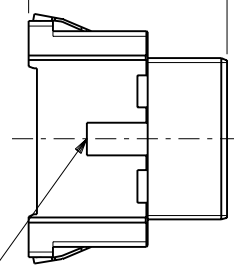


回路番号表示
CKT.No.IDENTIFICATION

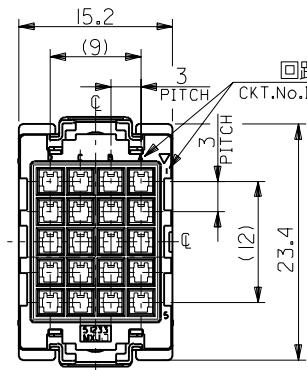


電線挿入側
WIRE SIDE

19.7



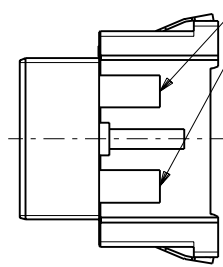
シエル挿入方向キー
POLARIZATIONS KEY FOR SHELL



嵌合側
MATING SIDE

回路番号表示
CKT.No.IDENTIFICATION

シエル挿入方向キー
POLARIZATIONS KEY FOR SHELL



注記
NOTES

- 材質 MATERIAL
①ハウジング：ガラス入りPBT樹脂
HOUSING : PBT G.F.
UL94V-0 色：黒
UL94V-0 COLOR : BLACK
②スプリング：ステンレス鋼 t0.3
SPRING : STAINLESS STEEL t0.3
- 適用端子：56116-8*90 , 56117-8*90
56118-8*90 , 56119-8*90
APPLICABLE CRIMP PIN : 56116-8*90 , 56117-8*90
56118-8*90 , 56119-8*90
- 適用リセプタクル シェル：56377-20**
APPLICABLE RECEPTACLE SHELL : 56377-20**
- 嵌合相手：51239-200*
MEET WITH : 51239-200*

<誤嵌合防止キー(極性)タイプ> <POLARITY KEY TYPE>

51233-2011	51233-2012	51233-2013	51233-2014	51233-2015
STANDARD TYPE	A TYPE	B TYPE	C TYPE	D TYPE

C-4	D	51233-2015	51233-***1*	20
C-3	C	51233-2014		
B-3	B	51233-2013		
B-2	A	51233-2012		
—	STANDARD	51233-2011		
POLARITY POSITION (CIRCUIT No.)	POLARITY TYPE	MATERIAL No.	MODEL No.	CIRCUIT

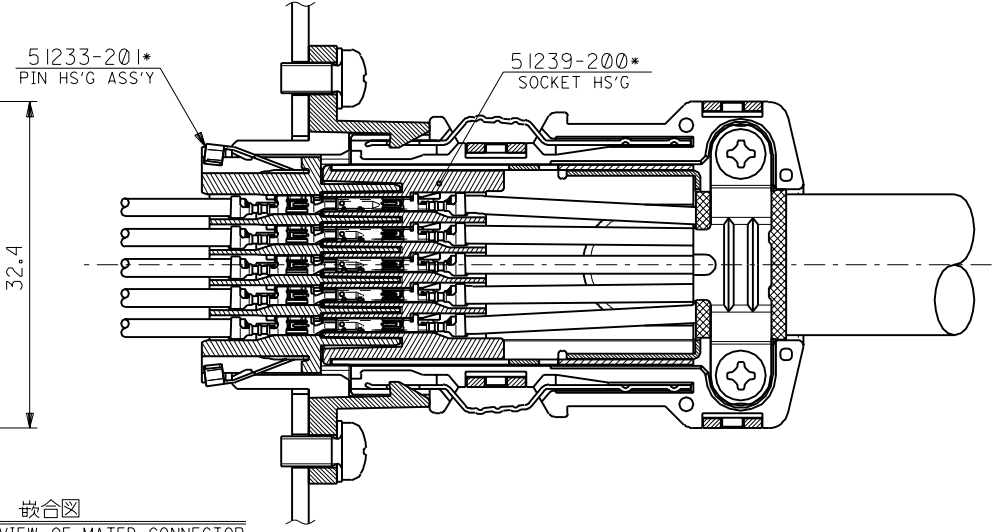
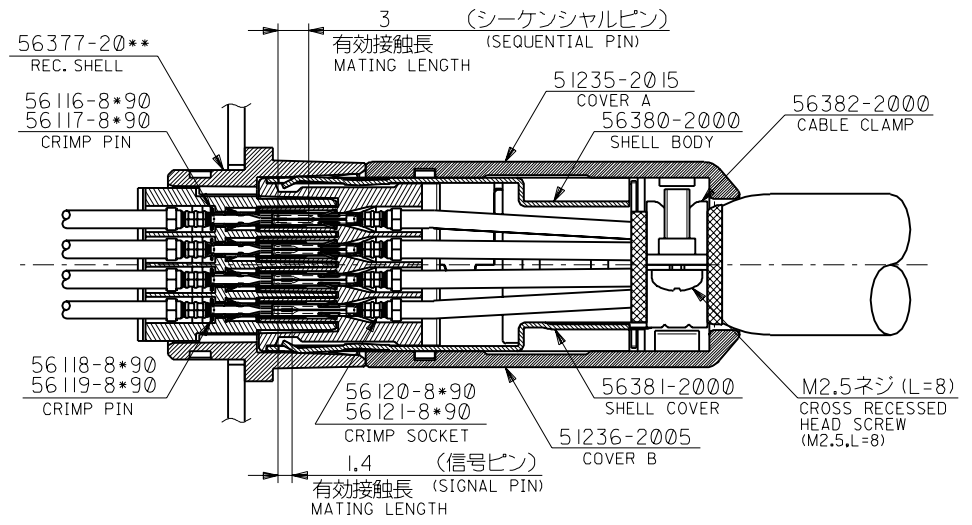
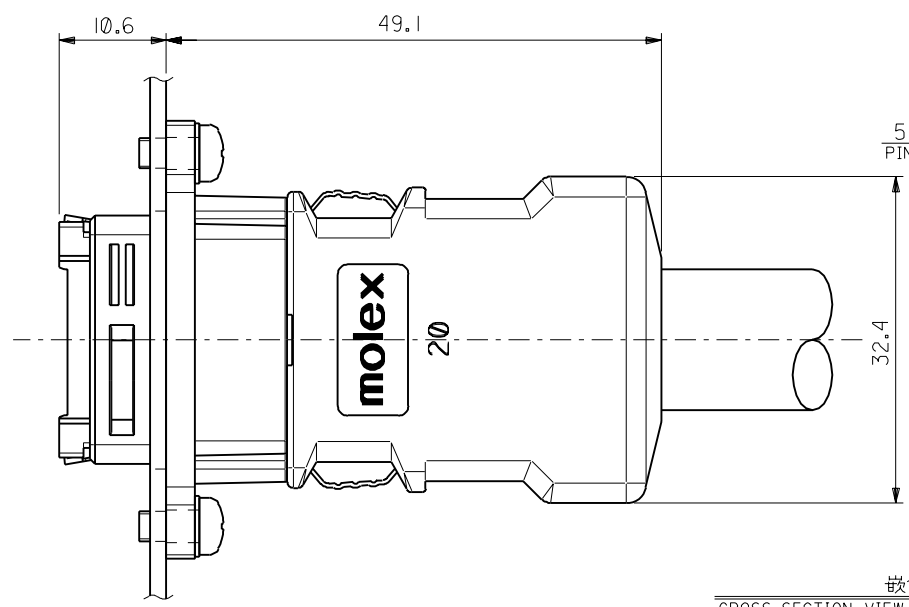
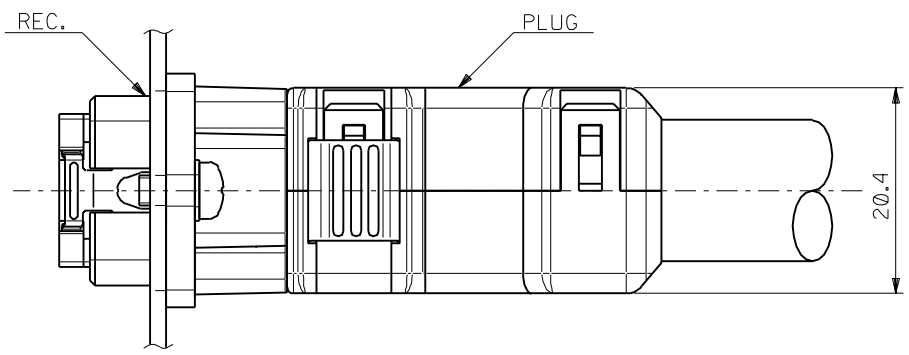
DO NOT SCALE DRAWING

EC NO. DRWN: CHK: APPR:	EC NO. DRWN: CHK: APPR:	EC NO. DRWN: CHK: APPR:	REVISED 01/10/04	MATERIAL 材料	GENERAL TOLERANCES: (UNLESS SPECIFIED) 一般公差	SCALE 2-1	DESIGN UNITS mm INCH	THIRD ANGLE PROJECTION	DIMENSIONS: mm INCH	SHT	REV	
			EC NO. J2002-0786 DRWN: S.AKIYAMA CHK: J.MIYAZAWA APPR: Y.O.ITO									DESCRIPTION 注記参照 SEE NOTES
A	0		RELEASED 01/02/16	FINISH 仕上げ	10 OVER 30 UNDER 未滿	±0.2	mm INCH	mm ONLY	mm ONLY			
			EC NO. JD2001-1040 DRWN: S.AKIYAMA CHK: J.MIYAZAWA APPR: H.IKESUGI									—
				WIRE RANGE 適用電線範囲	30 OVER 以上	±0.3	mm ONLY	mm ONLY	mm ONLY			
				INS. RANGE 被覆外径	—	±3°	CAD FILE NAME 51233008.S01	MATERIAL NO. SEE CHART	DRAWING NO. SD-51233-008	SHEET NO. 1 OF 4		

THIS DRAWING CONTAINS INFORMATION THAT IS PROPRIETARY TO MOLEX INCORPORATED AND SHOULD NOT BE USED WITHOUT WRITTEN PERMISSION.

A 51233008.S01

DWG. NO. SD-51233-008

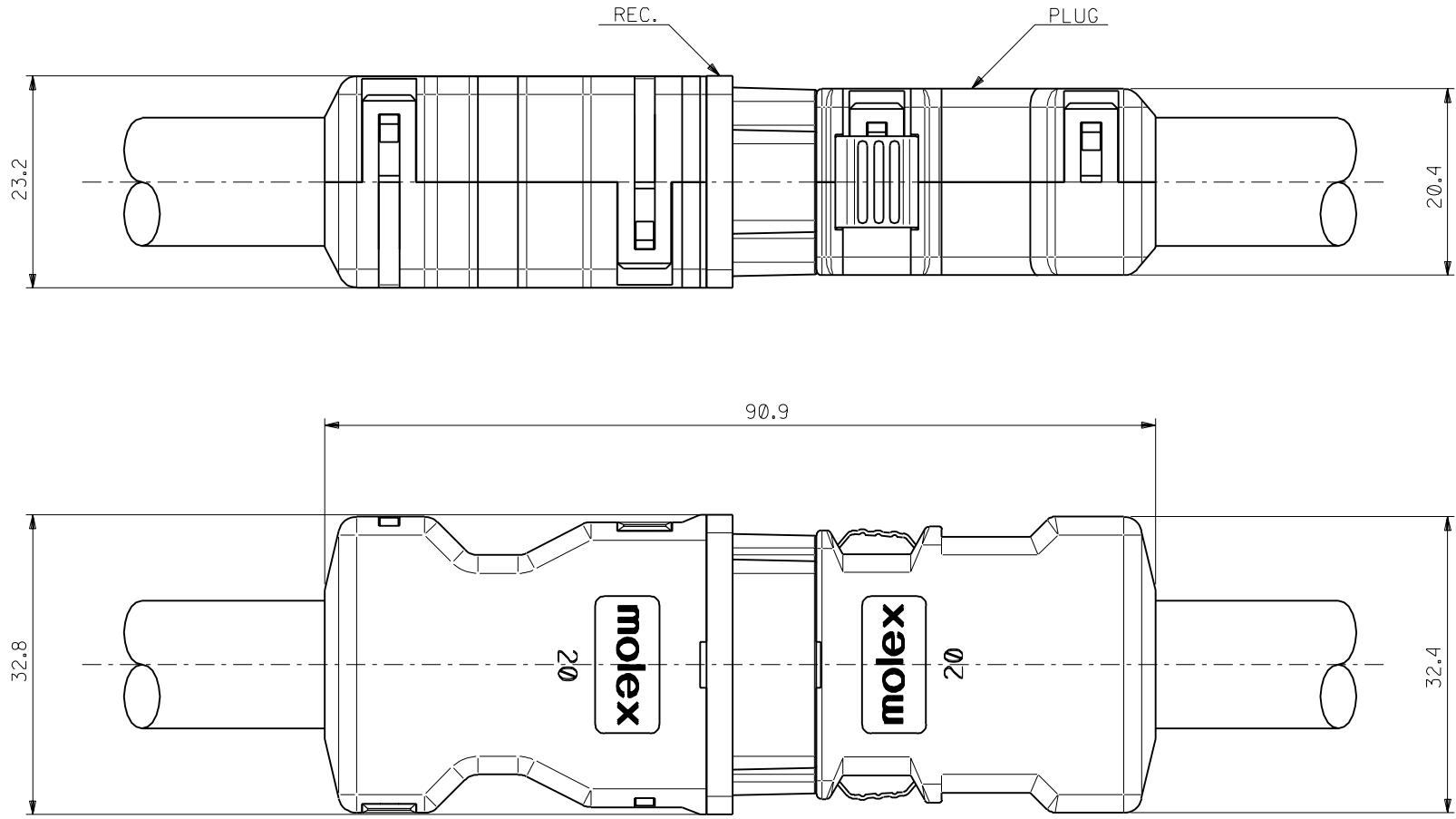


嵌合図
CROSS-SECTION VIEW OF MATED CONNECTOR

DO NOT SCALE DRAWING

EC NO. DRWN: CHK: APPR:	EC NO. DRWN: CHK: APPR:	EC NO. DRWN: CHK: APPR:	REVISED 01/10/04	MATERIAL 材料	GENERAL TOLERANCES: (UNLESS SPECIFIED) 一般公差	SCALE 2-1	DESIGN UNITS mm □ mm □ INCH	THIRD ANGLE PROJECTION	DIMENSIONS: mm □ mm □ INCH □ mm ONLY	SHT REVISE ON CAD ONLY	REV
			EC NO. J2002-0786 DRWN: S.AKIYAMA CHK: J.MIYAZAWA APPR: YO.ITO								
A	0	0	RELEASED 01/02/16	FINISH 仕上げ	10 OVER 30 UNDER 未満	±0.25	CHECKED BY & DATE <i>J. Miyazawa</i> / 2/06	APPROVED BY & DATE <i>Yo. Ito</i>	MATERIAL NO. SEE CHART	DRAWING NO. SD-51233-008	SHEET NO. 2 OF 4
			EC NO. JD2001-1040 DRWN: S.AKIYAMA CHK: J.MIYAZAWA APPR: H.IKESUGI								
				INS. RANGE 被覆外径	ANGLE 角度	±3°	CAD FILE NAME 51233008.S02				

THIS DRAWING CONTAINS INFORMATION THAT IS PROPRIETARY TO MOLEX INCORPORATED AND SHOULD NOT BE USED WITHOUT WRITTEN PERMISSION.

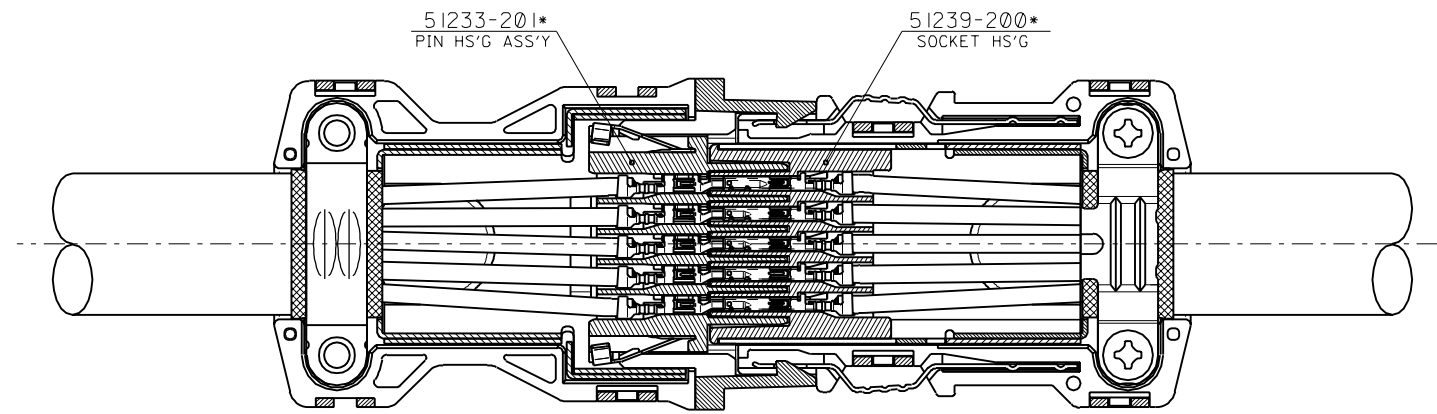
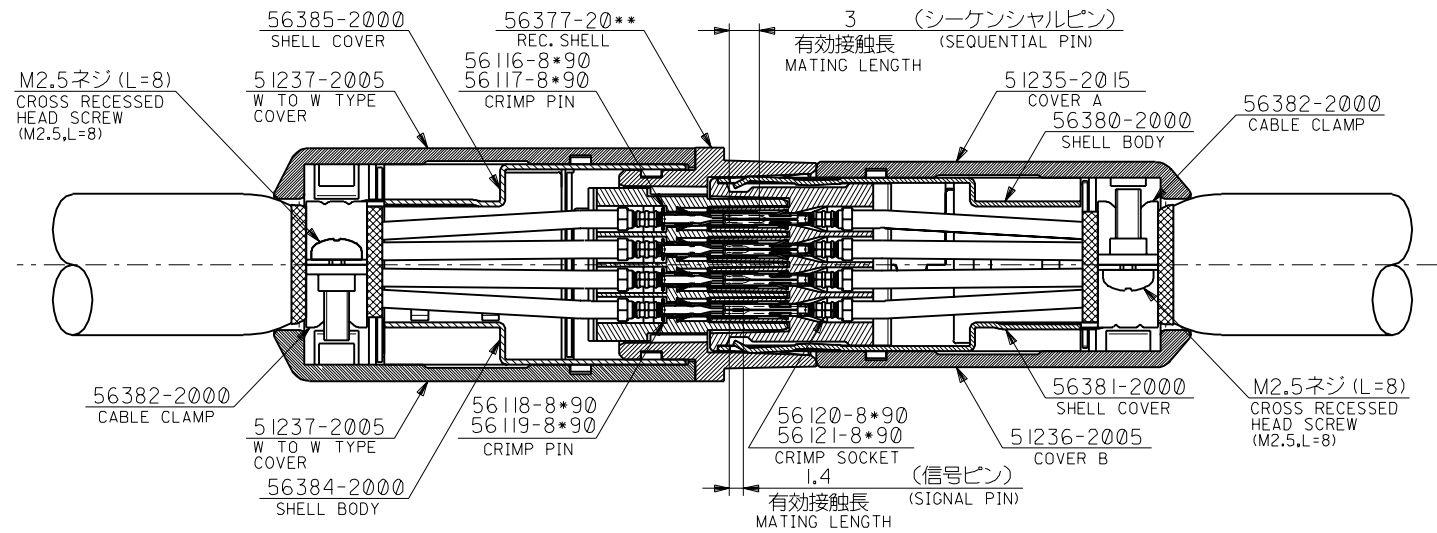


嵌合図 (中継タイプ)
CROSS-SECTION VIEW OF MATED CONNECTOR
(WIRE TO WIRE TYPE)

DO NOT SCALE DRAWING

EC NO. DRWN: CHK: APPR:	EC NO. DRWN: CHK: APPR:	EC NO. DRWN: CHK: APPR:	REVISED 01/10/04	MATERIAL 材料	GENERAL TOLERANCES: (UNLESS SPECIFIED) 一般公差	SCALE	DESIGN UNITS	THIRD ANGLE PROJECTION	DIMENSIONS:		SHT	REV	
			EC NO. J2002-0786			FINISH 仕上げ	10 UNDER 未満		2-1	<input type="checkbox"/> mm	<input type="checkbox"/> INCH	<input checked="" type="checkbox"/> mm	<input type="checkbox"/> ONLY
A	0	0	RELEASED 01/02/16	DESCRIPTION	30 UNDER 未満		CHECKED BY & DATE	APPROVED BY & DATE	TITLE: COMPACT ROBOT CONN. (CRC) REC. PIN HS'G ASS'Y				
			EC NO. JD2001-1040		30 OVER 以上	01/25							
			DRWN: S.AKIYAMA	WIRE RANGE 適用電線範囲	ANGLE 角度	CAD FILENAME	MATERIAL NO.		DRAWING NO.		SHEET NO.		
			CH'K: J.MIYAZAWA		#		3*	51233008.S03	SEE CHART	SD-51233-008	3 OF 4		
			APPR: YO.ITO	INS. RANGE 被覆外径	THIS DRAWING CONTAINS INFORMATION THAT IS PROPRIETARY TO MOLEX INCORPORATED AND SHOULD NOT BE USED WITHOUT WRITTEN PERMISSION.							SIZE B	
			DRWN: S.AKIYAMA										EN-02J(097) MXJ-54
			CH'K: J.MIYAZAWA										51233008.S03
			APPR: H.IKESUGI										

DWG. NO.
SD-51233-008



嵌合図 (中継タイプ)
CROSS-SECTION VIEW OF MATED CONNECTOR
(WIRE TO WIRE TYPE)

DO NOT SCALE DRAWING

EC NO. DRWN: CHK: APPR:	EC NO. DRWN: CHK: APPR:	EC NO. DRWN: CHK: APPR:	REVISED 01/10/04	MATERIAL 材料	GENERAL TOLERANCES: (UNLESS SPECIFIED) 一般公差	SCALE	DESIGN UNITS	THIRD ANGLE PROJECTION	DIMENSIONS: <input type="checkbox"/> mm <input type="checkbox"/> INCH <input checked="" type="checkbox"/> mm ONLY	SHT	REV
			EC NO. J2002-0786 DRWN: S.AKIYAMA CHK: J.MIYAZAWA APPR: Y.O.ITO			10 UNDER 未満	2-1				
A	0	0	RELEASED 01/02/16	DESCRIPTION	FINISH 仕上げ	10 OVER 以上	30 UNDER 未満	APPROVED BY & DATE <i>J. Miyazawa</i> / 01/25	MATERIAL NO. SEE CHART	DRAWING NO. SD-51233-008	SHEET NO. 4 OF 4
			EC NO. JD2001-1040 DRWN: S.AKIYAMA CHK: J.MIYAZAWA APPR: H.IKESUGI			30 OVER 以上	±0.25				
REV	INS. RANGE 被覆外径	—	ANGLE 角度	±3°	THIS DRAWING CONTAINS INFORMATION THAT IS PROPRIETARY TO MOLEX INCORPORATED AND SHOULD NOT BE USED WITHOUT WRITTEN PERMISSION.			SIZE B			