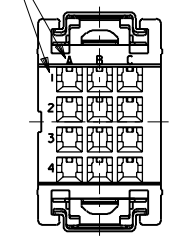
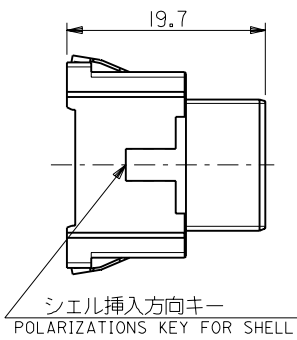


DWG. NO. SD-51233-007

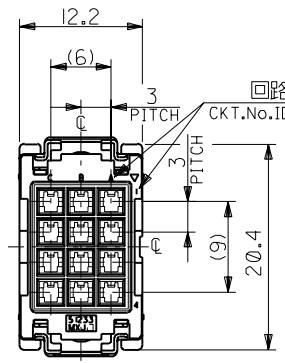
回路番号表示
CKT.No. IDENTIFICATION



電線挿入側
WIRE SIDE



シエル挿入方向キー
POLARIZATIONS KEY FOR SHELL



嵌合側
MATING SIDE

回路番号表示
CKT.No. IDENTIFICATION

シエル挿入方向キー
POLARIZATIONS KEY FOR SHELL

注記
NOTES

- 材質
MATERIAL
①ハウジング：ガラス入りPBT樹脂
HOUSING : PBT G.F.
UL94V-0 色：黒
UL94V-0 COLOR : BLACK
②スプリング：ステンレス鋼 t0.3
SPRING : STAINLESS STEEL t0.3
- 適用端子：56116-8*90, 56117-8*90, 56118-8*90, 56119-8*90
APPLICABLE CRIMP PIN : 56116-8*90, 56117-8*90, 56118-8*90, 56119-8*90
- 適用リセプタクル シェル：56377-12**
APPLICABLE RECEPTACLE SHELL : 56377-12**
- 嵌合相手：51239-120*
MEET WITH : 51239-120*

<誤嵌合防止キー（極性）タイプ> <POLARITY KEY TYPE>

51233-1211	51233-1212	51233-1213	51233-1214	51233-1215
STANDARD TYPE	A TYPE	B TYPE	C TYPE	D TYPE

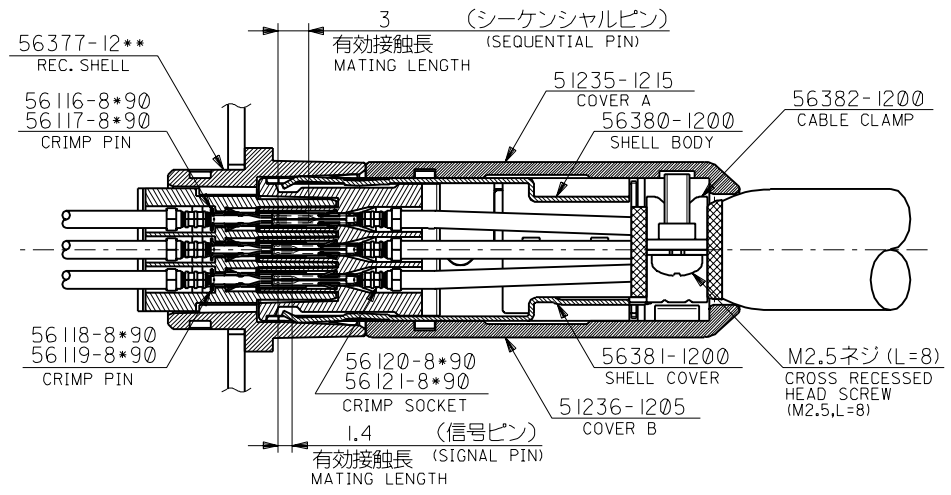
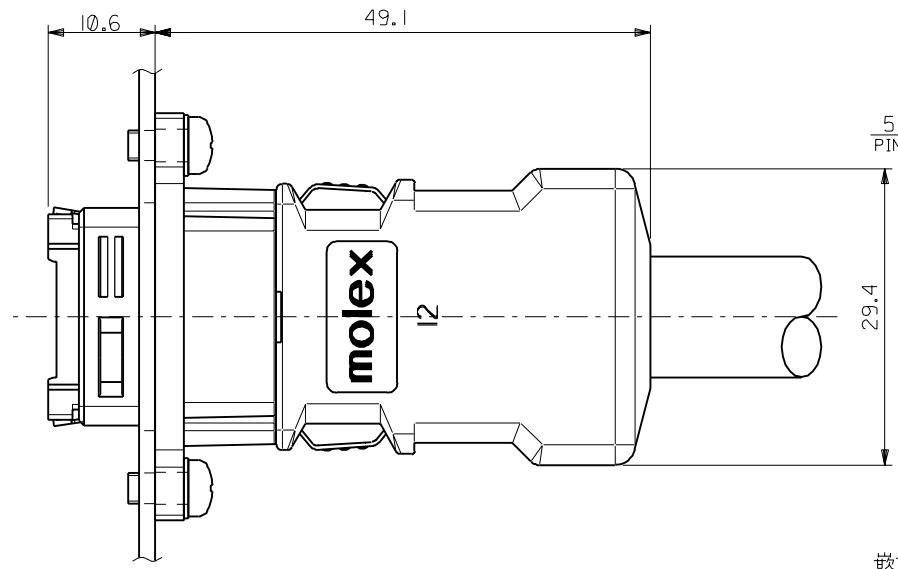
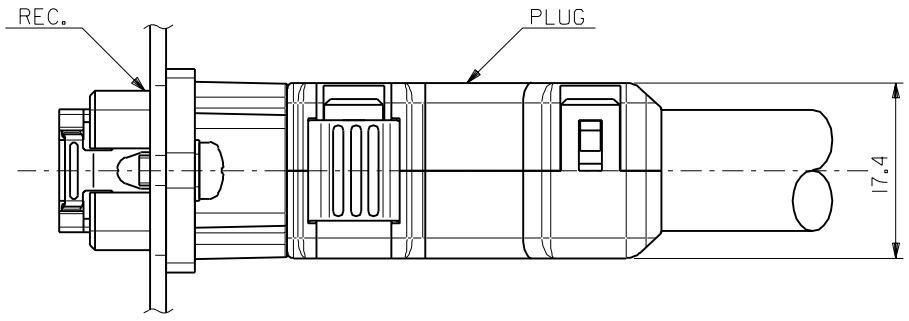
A-2	D	51233-1215	51233-**1*	12
C-3	C	51233-1214		
B-3	B	51233-1213		
B-2	A	51233-1212		
—	STANDARD	51233-1211		
POLARITY POSITION (CIRCUIT No.)	POLARITY TYPE	MATERIAL No.	MODEL No.	CIRCUIT

DO NOT SCALE DRAWING

EC NO. DRWN: CHK: APPR:	EC NO. DRWN: CHK: APPR:	EC NO. DRWN: CHK: APPR:	REVISED 01/10/04	MATERIAL 材料	GENERAL TOLERANCES: (UNLESS SPECIFIED) 一般公差	SCALE 2-1	DESIGN UNITS mm INCH	THIRD ANGLE PROJECTION	DIMENSIONS: mm INCH	SHT	REV REVISE ON CAD ONLY
			EC NO. J2002-0786 DRWN: S.AKIYAMA CHK: J.MIYAZAWA APPR: YO.ITO								
A	0		RELEASED 01/02/16	FINISH 仕上げ	10 OVER 30 UNDER 以上 未満	±0.25	CHECKED BY & DATE J. Miyazawa / Y. Ito	MATERIAL NO. SEE CHART	DRAWING NO. SD-51233-007	SHEET NO. 1 OF 4	SIZE B
			EC NO. JD2001-1040 DRWN: S.AKIYAMA CHK: J.MIYAZAWA APPR: H.IKESUGI								
				WIRE RANGE 適用電線範囲	—	±0.3	CAD FILE NAME 51233007.S01	MATERIAL NO. SEE CHART	DRAWING NO. SD-51233-007	SHEET NO. 1 OF 4	SIZE B
				INS. RANGE 被覆外径	—	±3°	THIS DRAWING CONTAINS INFORMATION THAT IS PROPRIETARY TO MOLEX INCORPORATED AND SHOULD NOT BE USED WITHOUT WRITTEN PERMISSION.				EN-02J(097) MXJ-54

A
51233007.S01

DWG. NO. SD-51233-007



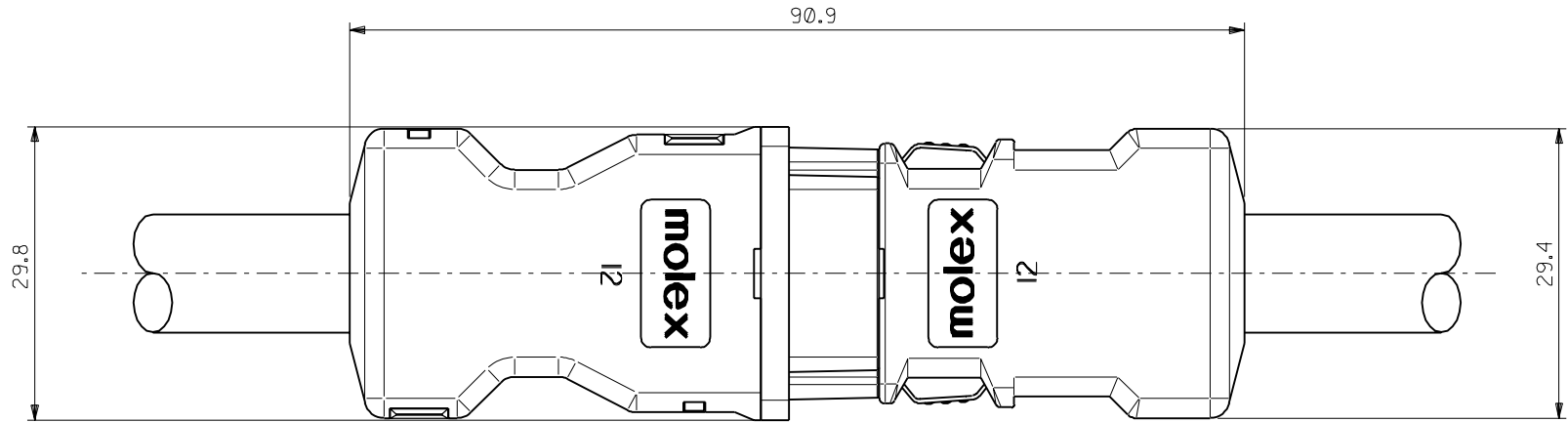
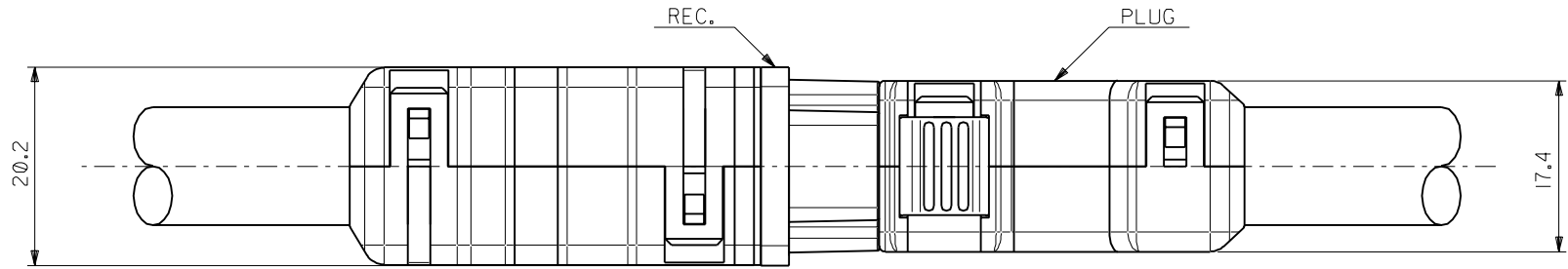
嵌合図

CROSS-SECTION VIEW OF MATED CONNECTOR

DO NOT SCALE DRAWING

EC NO. DRWN: CHK: APPR:	EC NO. DRWN: CHK: APPR:	EC NO. DRWN: CHK: APPR:	REVISED 01/10/04	MATERIAL 材料	GENERAL TOLERANCES: (UNLESS SPECIFIED) 一般公差	SCALE 2-1	DESIGN UNITS mm □ mm □ INCH	THIRD ANGLE PROJECTION	DIMENSIONS: mm □ mm □ INCH □ mm ONLY	SHT	REV
			EC NO. J2002-0786 DRWN: S.AKIYAMA CHK: J.MIYAZAWA APPR: YO.IITO								
A	Ø	Ø	RELEASED 01/02/16	FINISH 仕上げ	10 OVER 30 UNDER 以上 未満	±0.25	CHECKED BY & DATE <i>J. Nagano</i> / 3.06	MATERIAL NO. SEE CHART	DRAWING NO. SD-51233-007	SHEET NO. 2 OF 4	REVISION CAD ONLY
			EC NO. JD2001-1040 DRWN: S.AKIYAMA CHK: J.MIYAZAWA APPR: H.IKESUGI								
REV	INS. RANGE 被覆外径	—	—	WIRE RANGE 適用線径範囲	ANGLE 角度	±3°	CAD FILE NAME 51233007.S02	MATERIAL NO. SEE CHART	DRAWING NO. SD-51233-007	SHEET NO. 2 OF 4	SIZE B

THIS DRAWING CONTAINS INFORMATION THAT IS PROPRIETARY TO MOLEX INCORPORATED AND SHOULD NOT BE USED WITHOUT WRITTEN PERMISSION.



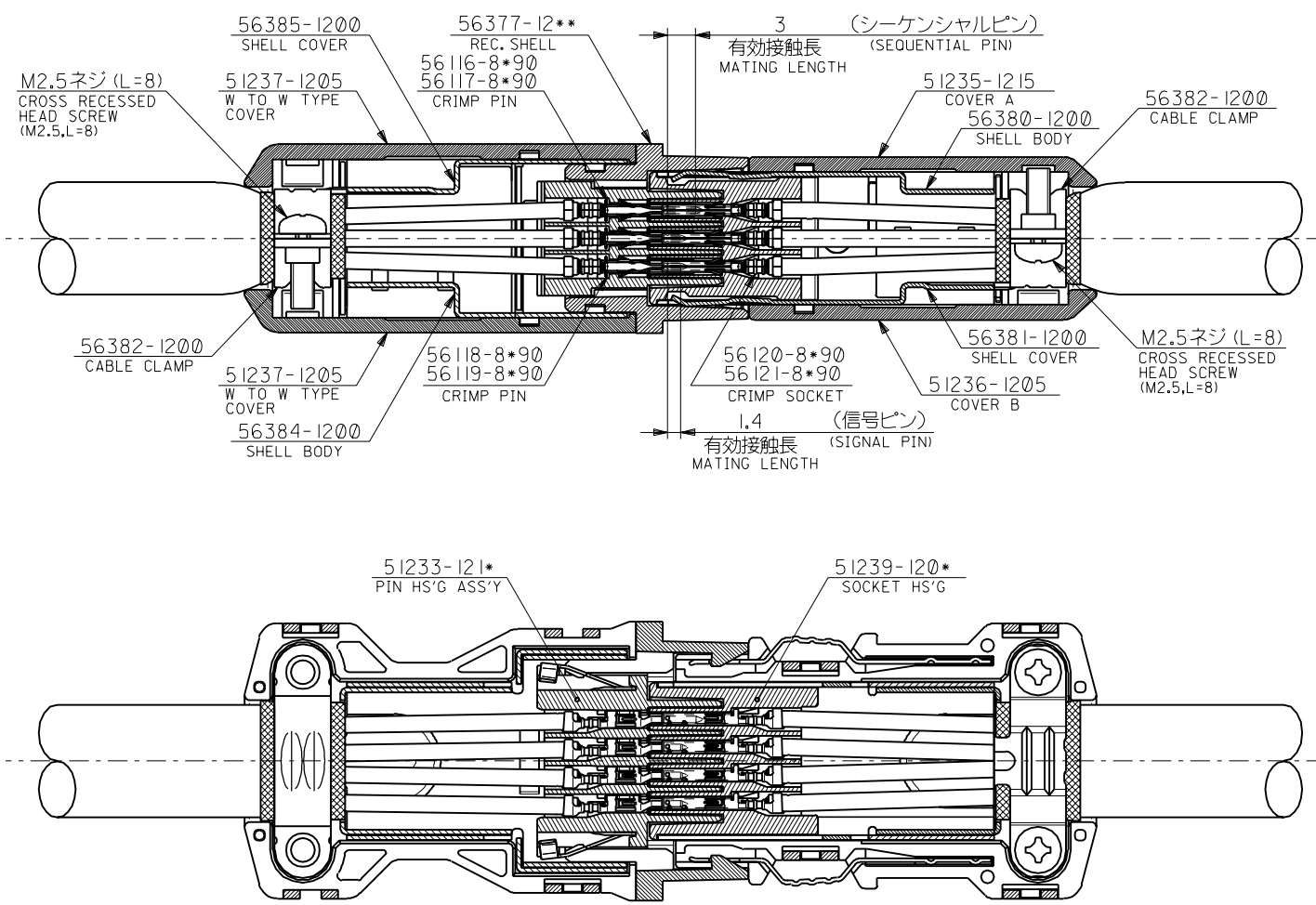
嵌合図 (中継タイプ)
CROSS-SECTION VIEW OF MATED CONNECTOR
(WIRE TO WIRE TYPE)

DO NOT SCALE DRAWING

EC NO. DRWN: CHK: APPR:	EC NO. DRWN: CHK: APPR:	EC NO. DRWN: CHK: APPR:	REVISED 01/10/04	MATERIAL 材料	GENERAL TOLERANCES: (UNLESS SPECIFIED) 一般公差	SCALE	DESIGN UNITS	THIRD ANGLE PROJECTION	DIMENSIONS:		SHT	REV
			EC NO. J2002-0786 DRWN: S.AKIYAMA CHK: J.MIYAZAWA APPR: YO.ITO			10 UNDER 未満	2-1		<input type="checkbox"/> mm INCH	<input type="checkbox"/> mm mm	<input checked="" type="checkbox"/> mm ONLY	REVISION
A	0	0	RELEASED 01/02/16	FINISH 仕上げ	30 OVER 30 UNDER 以上 未満	10 OVER	CHECKED BY & DATE	TITLE:	COMPACT ROBOT CONN. (CRC) REC. PIN HS'G ASS'Y			
			30 OVER 以上			30 OVER 30 UNDER 以上 未満						
REV	INS. RANGE 被覆外径	WIRE RANGE 適用線径範囲	DESCRIPTION	DESCRIPTION	ANGLE 角度	APPROVED BY & DATE	MATERIAL NO.	DRAWING NO.	SHEET NO.			
			注記参照 SEE NOTES		3°	51233007.S03	SEE CHART	SD-51233-007	3 OF 4			

THIS DRAWING CONTAINS INFORMATION THAT IS PROPRIETARY TO MOLEX INCORPORATED AND SHOULD NOT BE USED WITHOUT WRITTEN PERMISSION.

DWG. NO. SD-51233-007



嵌合図 (中継タイプ)
CROSS-SECTION VIEW OF MATED CONNECTOR
(WIRE TO WIRE TYPE)

DO NOT SCALE DRAWING

EC NO. DRWN: CHK: APPR:	EC NO. DRWN: CHK: APPR:	EC NO. DRWN: CHK: APPR:	REVISED 01/10/04	MATERIAL 材料	GENERAL TOLERANCES: (UNLESS SPECIFIED) 一般公差	SCALE 2-1	DESIGN UNITS <input checked="" type="checkbox"/> mm <input type="checkbox"/> INCH	THIRD ANGLE PROJECTION	DIMENSIONS: <input type="checkbox"/> mm <input type="checkbox"/> INCH <input checked="" type="checkbox"/> mm ONLY	SHT REVISE ON CAD ONLY	REV
			EC NO. J2002-0786 DRWN: S.AKIYAMA CHK: J.MIYAZAWA APPR: YO.IITO								
A	0		RELEASED 01/02/16	FINISH 仕上げ	10 OVER 以上	30 UNDER 未満	±0.25	APPROVED BY & DATE <i>J. Miyazawa</i> 7/24/06	MATERIAL NO. SEE CHART	DRAWING NO. SD-51233-007	SHEET NO. 4 OF 4
			EC NO. JD2001-1040 DRWN: S.AKIYAMA CHK: J.MIYAZAWA APPR: H.IKESUGI								
				INS. RANGE 被覆外径	ANGLE 角度	±3°	CAD FILE NAME 51233007.S04	MATERIAL NO. SEE CHART	DRAWING NO. SD-51233-007	SHEET NO. 4 OF 4	SIZE B

THIS DRAWING CONTAINS INFORMATION THAT IS PROPRIETARY TO MOLEX INCORPORATED AND SHOULD NOT BE USED WITHOUT WRITTEN PERMISSION.