

MATERIALS AND FINISHES

COUPLING SLEEVE: BRASS
PLATED NICKEL

BODY: BRASS
PLATED TRI-M3

RETENTION CAP: BRASS
PLATED TRI-M3

INSULATORS: TEFLON

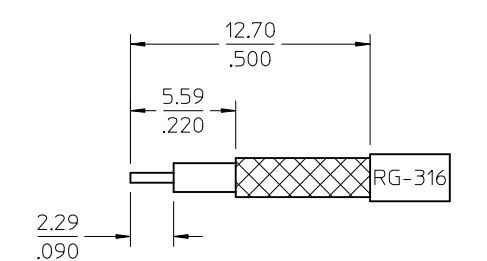
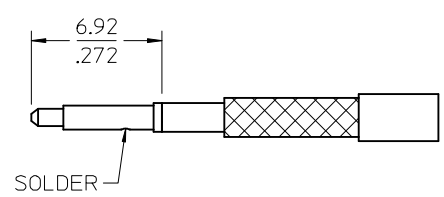
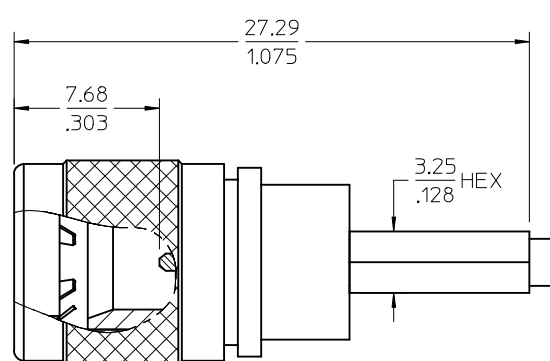
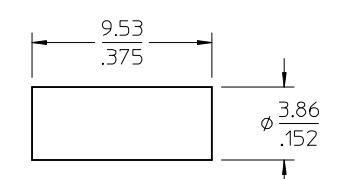
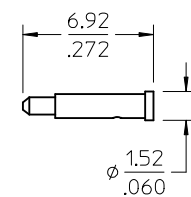
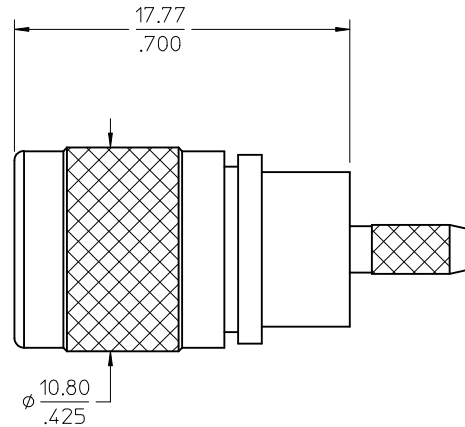
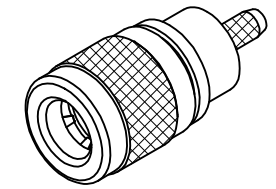
RETENTION SPRING: STAINLESS STEEL
PASSIVATED

GROUND SPRING: BERYLLIUM COPPER
PLATED GOLD

CONTACT: BRASS
PLATED GOLD

OVER HIGH PHOSPHOR NICKEL

CRIMP TUBE: BRASS
PLATED NICKEL



RECOMMENDED CABLE STRIP DIMENSION

73254-0091	ONE PIECE 73254-0090 PER BAG
73254-0090	TRAY
PART NO.	DESCRIPTION

CHG: UPDATE PACKAGING FOR 73254-0090 PER RF15-E212	EC NO: URF2015-0658	DRWNR:YEH	CHKD:	APPR:YCHENG	DESCRIPTION
	2015/05/25				

QUALITY SYMBOLS	GENERAL TOLERANCES (UNLESS SPECIFIED)	DIMENSION STYLE	SCALE	DESIGN UNITS	THIRD ANGLE PROJECTION
▽=0	mm INCH	MM/IN	5:1	INCH	
▽=0	4 PLACES ± --- ± ---	DRAWN BY DATE			
▽=0	3 PLACES ± --- ± ---	CHECKED BY DATE			
	2 PLACES ± --- ± ---	TEF 2003/10/07			
	1 PLACE ± --- ± ---	APPROVED BY DATE			
	0 PLACE ± --- ± ---	GMH 2003/10/07			
	ANGULAR ± 2 °	MATERIAL NO.			
	DRAFT WHERE APPLICABLE MUST REMAIN WITHIN DIMENSIONS	SEE TABLE			
		SIZE			
		THIS DRAWING CONTAINS INFORMATION THAT IS PROPRIETARY TO MOLEX INCORPORATED AND SHOULD NOT BE USED WITHOUT WRITTEN PERMISSION			

TITLE	QMA PLUG STRAIGHT RG316 50 OHMS QMA-PC, EWR-2187	SHEET NO.	1 OF 1
DOCUMENT NO.	SD-73254-009		