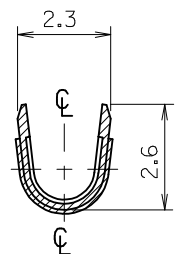
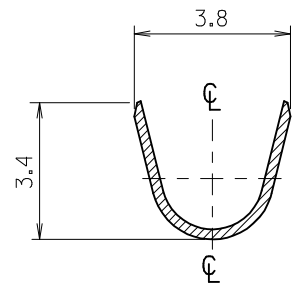


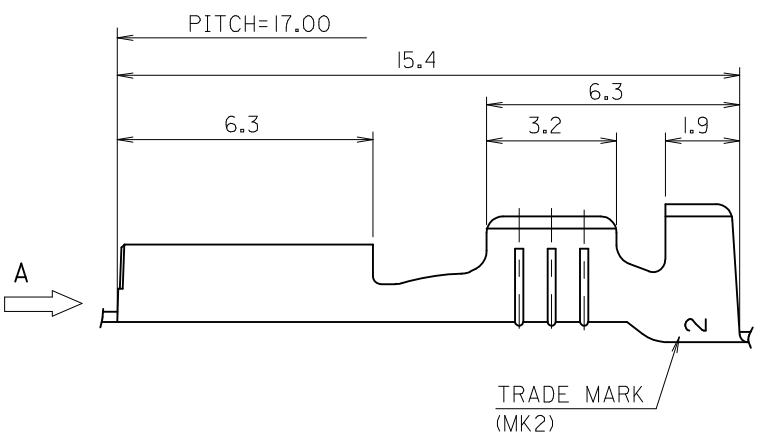
VIEW "A"



SECTION:C-C"



SECTION:D-D"



- NOTES.
1. MATERIAL : BRASS
 2. FINISH : 35711-0800 : UNPLATED
35711-0810 : ©PRE-TIN PLATED
0.8~1.8 μm TIN PLATING
OVERALL 0.3~0.8μm COPPER PLATING
 3. PRODUCT SPECIFICATION : PS-35544-001
PS-35702-001
PS-68428-001
 4. MATES WITH : 0.5t TAB
 5. APPLICABLE WIRE RANGE : AWG #22~#20

| | | | | | | | | | | | |
|---|-------------------------------|---------------------------------------|---------|----------------------------|--------------------|---|------------------------|------------------------|--|--|--|
| REVISED EC NO: KOR2009-0111 DRWN: JHPARK01 2009/01/30 CHKD: WYANG 2009/01/30 APPR: YUNSIKKIM 2009/01/30 | QUALITY SYMBOLS ▽=0 ▽=0 | GENERAL TOLERANCES (UNLESS SPECIFIED) | | DIMENSION STYLE MM ONLY | | SCALE 8:1 | DESIGN UNITS METRIC | THIRD ANGLE PROJECTION | | | |
| | | 4 PLACES ± --- ± --- | mm INCH | DRAWN BY WY.YANG | DATE 1993/04/15 | TITLE .110 SLIP-ON RECEPTACLE | | | | | |
| | | 3 PLACES ± --- ± --- | mm INCH | CHECKED BY BK. CHOI | DATE 1993/04/15 | MOLEX INCORPORATED | | | | | |
| | | 2 PLACES ± --- ± --- | mm INCH | APPROVED BY CW. LEE | DATE 1993/04/15 | DOCUMENT NO. SD-35711-08*0 | | | | | |
| 1 PLACE ± 0.30 ± --- | | ANGULAR ± --- ° | | MATERIAL NO. | | SEE NOTE | | SHEET NO. 1 OF 01 | | | |
| DRAFT WHERE APPLICABLE MUST REMAIN WITHIN DIMENSIONS | | | | SIZE A3 | | THIS DRAWING CONTAINS INFORMATION THAT IS PROPRIETARY TO MOLEX INCORPORATED AND SHOULD NOT BE USED WITHOUT WRITTEN PERMISSION | | | | | |