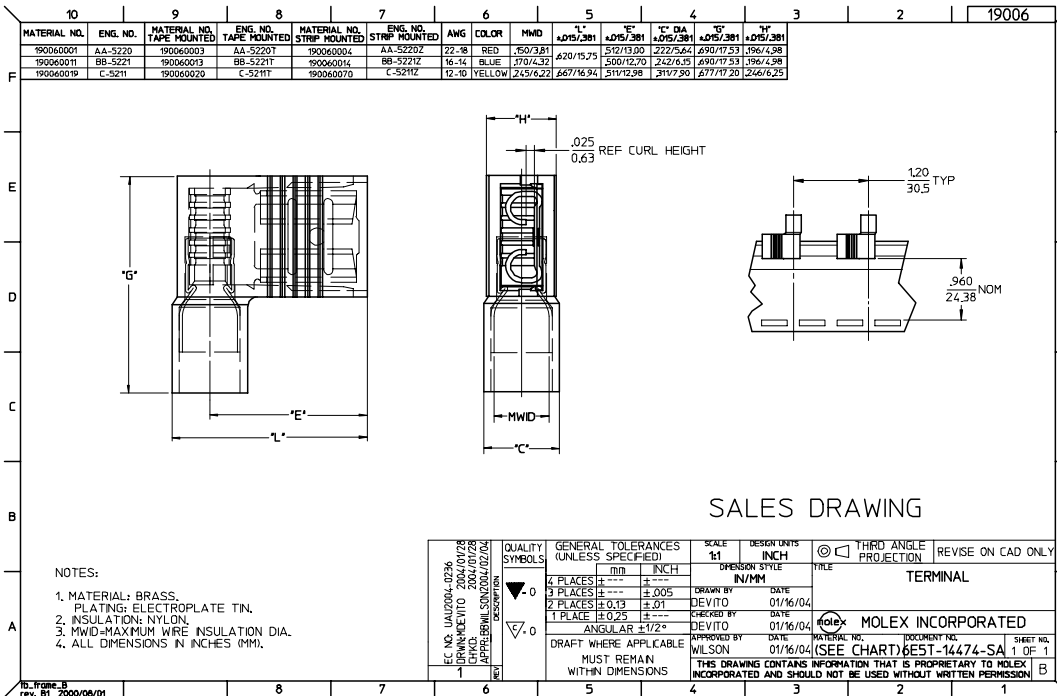


| LTRS.      |   | REVISIONS |          |  |
|------------|---|-----------|----------|--|
| ORIGINATOR | CHECKER   | ENGR APP  | MATL APP |  |
| -          | RELEASED 6EST-14474-SA<br>ARCHIVED DATE:<br>AE00-E-11505652-025 |           |          |  |
| DEVITO     | WILSON  | PRICE     |          |  |

| FORD PART NUMBER | MOLEX PART NUMBER |
|------------------|-------------------|
| 6EST-14474-SA    | 19006-0004        |



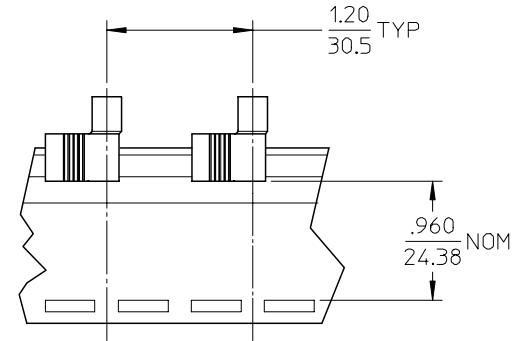
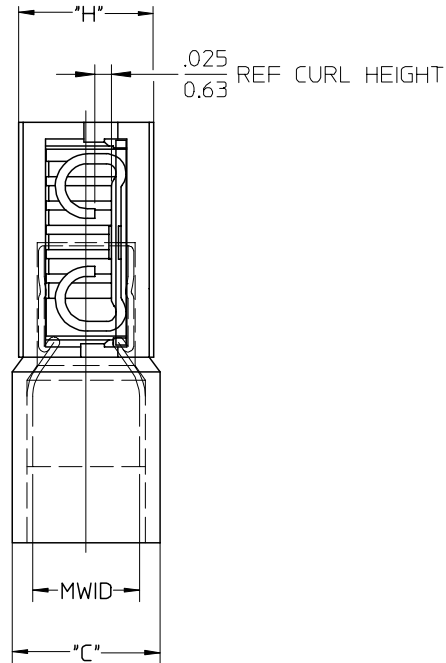
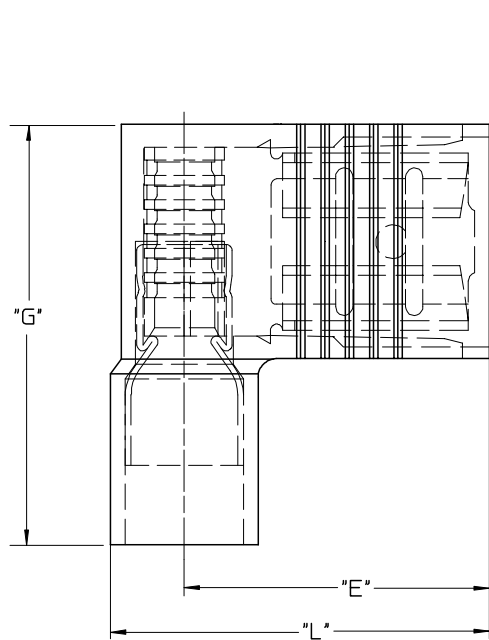
NOTES:

APPROVED FOR USE ONLY IN 'BLACK BOX' APPLICATIONS, WHICH ARE TO PASS SYSTEM LEVEL VALIDATION TESTING. CONNECTOR SDS EL-0173 NOT MET TERMINAL RETENTION FORCE AND TESTING SPECIFIC TO EVALUATE TERMINAL MUST BE PERFORMED AT SYSTEM-LEVEL.

|  |  |
|--|--|
| REFERENCE  | ---                                      |
| PART MUST COMPLY WITH MATERIAL SPECIFICATION NSS-MS8P9999-A1 TO HELP SAFEGUARD HEALTH, SAFETY AND THE ENVIRONMENT. |  |
| DRAFTED IN ACCORDANCE WITH FAD ENGINEERING DRAFTING STANDARD CURRENT AT INITIAL RELEASE                            | 3RD ANGLE PROJ DIMENSIONS IN MILLIMETERS |
| CAD TYPE   | CAD LOC. CAD FILE                        |
| OPER. NO.  | UNIT DRAWING                             |
| DESIGN   | TITLE                                    |
| DEVITO   | 6EST-14474-SA                            |
| CHECKED  | SAFETY                                   |
| BBWILSON   | TERMINAL                                 |
| SCALE  | DATE DIVISION                            |
| 1:1  | 2004/01/28 PLANT                         |

DR SIZE A/D

| MATERIAL NO. | ENG. NO. | MATERIAL NO. TAPE MOUNTED | ENG. NO. TAPE MOUNTED | MATERIAL NO. STRIP MOUNTED | ENG. NO. STRIP MOUNTED | AWG   | COLOR  | MWID      | "L" ±.015/.381 | "E" ±.015/.381 | "C" DIA ±.015/.381 | "G" ±.015/.381 | "H" ±.015/.381 |
|--------------|----------|---------------------------|-----------------------|----------------------------|------------------------|-------|--------|-----------|----------------|----------------|--------------------|----------------|----------------|
| 190060001    | AA-5220  | 190060003                 | AA-5220T              | 190060004                  | AA-5220Z               | 22-18 | RED    | .150/3.81 | .620/15.75     | .512/13.00     | .222/5.64          | .690/17.53     | .196/4.98      |
| 190060011    | BB-5221  | 190060013                 | BB-5221T              | 190060014                  | BB-5221Z               | 16-14 | BLUE   | .170/4.32 | .500/12.70     | .242/6.15      | .690/17.53         | .196/4.98      |                |
| 190060019    | C-5211   | 190060020                 | C-5211T               | 190060070                  | C-5211Z                | 12-10 | YELLOW | .245/6.22 | .667/16.94     | .511/12.98     | .311/7.90          | .677/17.20     | .246/6.25      |



## SALES DRAWING

### NOTES:

1. MATERIAL: BRASS.  
PLATING: ELECTROPLATE TIN.
2. INSULATION: NYLON.
3. MWID=MAXIMUM WIRE INSULATION DIA.
4. ALL DIMENSIONS IN INCHES (MM).

|   |                                   |   |                       |                          |                      |   |                              |
|---|-----------------------------------|---|-----------------------|--------------------------|----------------------|---|------------------------------|
| EC NO: ETC2004-0126<br>DRWN:DMYRICK 2004/01/06<br>CHKD:SBEITZEL 2004/01/06<br>APPR:RDEROSS 2004/01/07                         | QUALITY SYMBOLS<br>▽ = 0<br>▽ = 0 | GENERAL TOLERANCES (UNLESS SPECIFIED)                   |                       | SCALE<br>NTS             | DESIGN UNITS<br>INCH | THIRD ANGLE PROJECTION                                      | REVISE ON CAD ONLY           |
|   |                                   | 4 PLACES ± --- ± ---                                    | 3 PLACES ± --- ± .005 | DIMENSION STYLE<br>IN/MM |                      | TITLE<br>AVIKRIMP FLAG<br>FULLY INSULATED<br>.250 TAB WIDTH |                              |
| B   | DESCRIPTION                       | 2 PLACES ± 0.13 ± .01                                   | 1 PLACE ± 0.25 ± ---  | DRAWN BY<br>DMYRICK      | DATE<br>03/12/26     | MOLEX INCORPORATED  |                              |
|   |                                   | ANGULAR ± 1/2°  |                       | CHECKED BY<br>SBEITZEL   | DATE<br>03/12/26     | MATERIAL NO.<br>(SEE CHART)                                 | DOCUMENT NO.<br>SD-19006-001 |
|   |                                   | DRAFT WHERE APPLICABLE<br>MUST REMAIN WITHIN DIMENSIONS |                       | APPROVED BY<br>RDEROSS   | DATE<br>03/12/26     | SHEET NO.<br>1 OF 1   |                              |
| THIS DRAWING CONTAINS INFORMATION THAT IS PROPRIETARY TO MOLEX INCORPORATED AND SHOULD NOT BE USED WITHOUT WRITTEN PERMISSION |                                   |   |                       |                          |                      |   |                              |