

6

5

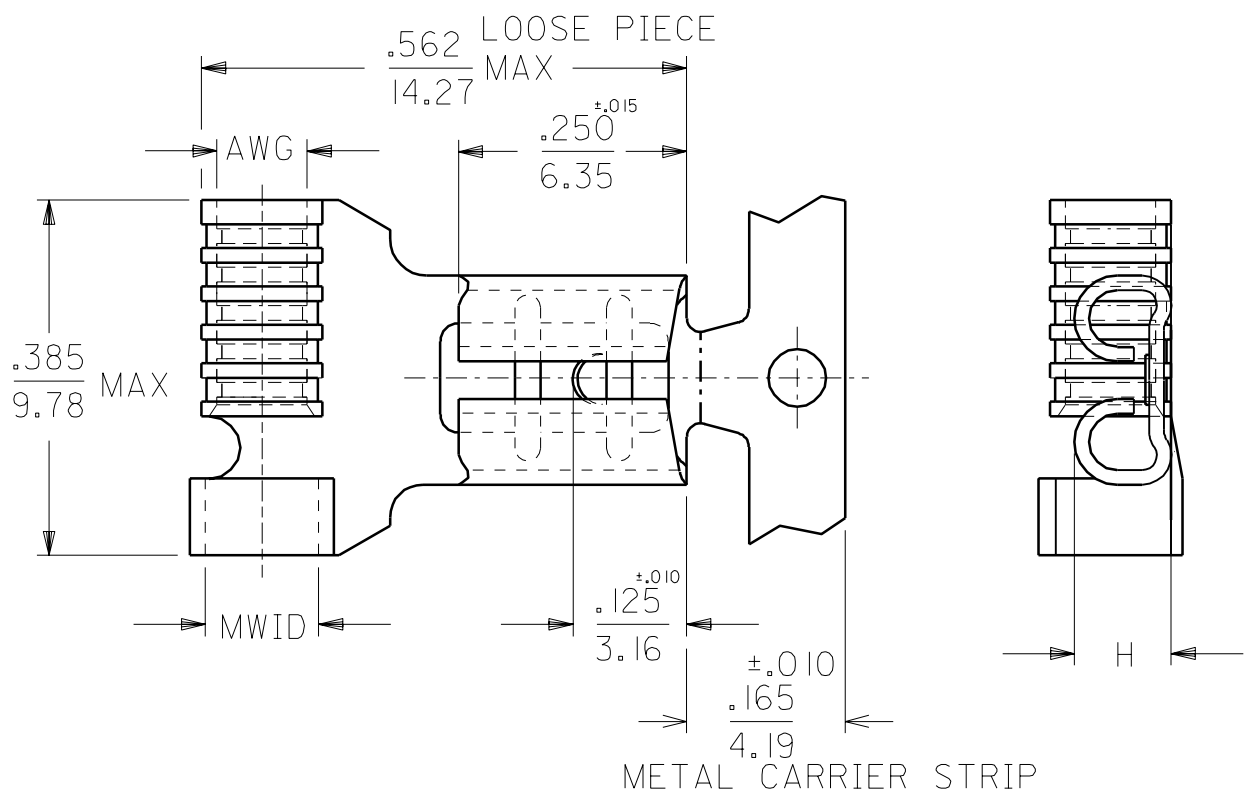
4

3

2

1

DRWG. NO. CUST. DRWG.



METAL STRIP PART NO.	LOOSE PART NO.	DIMENSIONS			
		AWG	MWID	"H" MAX	TAB SIZE
AAZ-4170	AA-4170	22-18	.135/3.43	.121/3.07	.187X.020
BBZ-4171	BB-4171	16-14	.145/3.68	.121/3.07	.187X.020
AAZ-4170-032	AA-4170-032	22-18	.135/3.43	.131/3.33	.187X.032
BBZ-4171-032	BB-4171-032	16-14	.145/3.68	.131/3.33	.187X.032

LTR.	REVISIONS

NOTES:
 1. ALL DIMENSIONS = INCHES/MM

DIMENSIONS SHOWN (METRIC) INCH			
UNLESS OTHERWISE SPECIFIED TOLERANCES: ANGULAR ± 1/2°			
	INCH	METRIC	
3 PLACE	± .005	± 0.13	
2 PLACE	± .01	± 0.25	
1 PLACE	± ---	± ---	
DRAFT WHERE APPLICABLE MUST REMAIN WITHIN DIMENSIONS			
DRWG. BY	RM	CHK'D. BY	JM
APP'D. BY	FP	SCALE	5: 1

REVISE ONLY ON CAD SYSTEM

TITLE
 FLAG NON-INSULATED WITH INSULATION SUPPORT
 .187X.020 & .032 TAB

molex ETC INC. SHEET NO. DATE
 PINELLAS PARK, FLA. 33781 U.S.A. 03/06/90

PART NO. DRWG. NO. CUST. DRWG.

FILE NAME THIS DRAWING CONTAINS INFORMATION THAT IS PROPRIETARY TO MOLEX-ETC INC. AND SHOULD NOT BE USED WITHOUT WRITTEN PERMISSION. DIV. SIZE
 CDFGS187 A

6

5

4

3

2

1