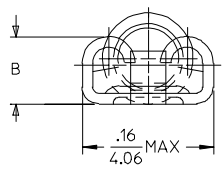
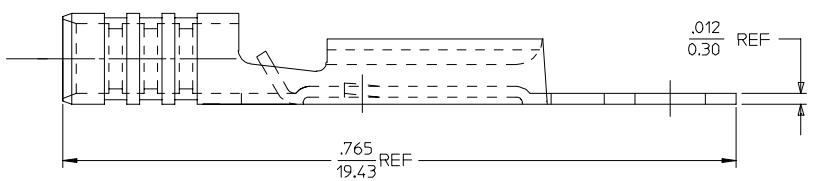
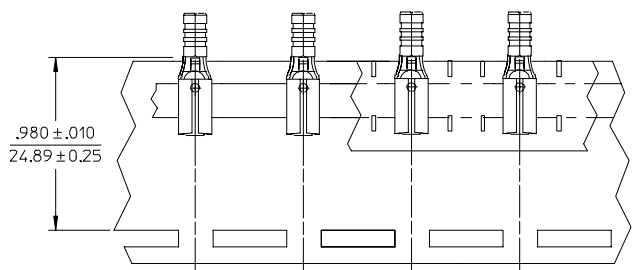
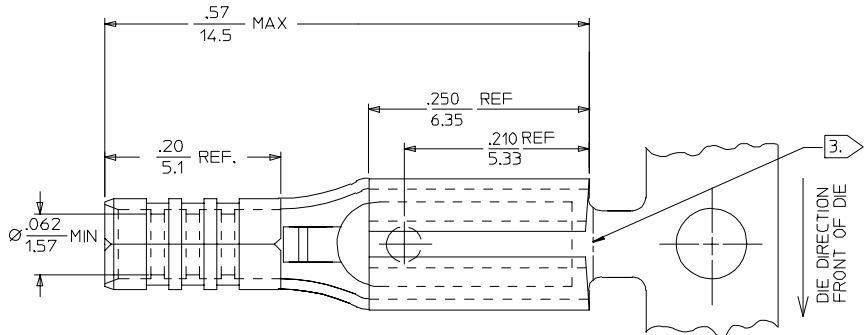


MATERIAL NUMBER	ENGINEERING NUMBER	DESCRIPTION	DM B MAX
190160001	AA-1131	.110 X .020 (2.80 X 0.51) FEMALE QD W/ DIMPLE LOOSE PIECE	.078/1.98
190160002	AA-1131T	.110 X .020 (2.80 X 0.51) FEMALE QD W/ DIMPLE ON TAPE	
190160210	AAZ-1131MOD	.110 X .020 (2.80 X 0.51) FEMALE QD W/OUT DIMPLE ON STRIP	
190160021	AAZ-1134	.110 X .032 (2.80 X 0.81) FEMALE QD W/ DIMPLE ON STRIP	.085/2.16
190160003	AA-1134	.110 X .032 (2.80 X 0.81) FEMALE QD W/ DIMPLE LOOSE PIECE	
190160004	AA-1134T	.110 X .032 (2.80 X 0.81) FEMALE QD W/ DIMPLE ON TAPE	
190160226	AAZ-1134MOD	.110 X .032 (2.80 X 0.81) FEMALE QD W/OUT DIMPLE ON STRIP	



SALES DRAWING

NOTES:

- MATERIAL: BRASS.
- PLATED TIN.
- LOOSE PIECE PARTS TO HAVE CUT-OFF TAB .005/.020 (0.13/0.51).
- PART IS ROHS COMPLIANT.

CHG DIM. B IN CHART EC NO: ETC2007-0334 DRAWN BY: DRWNEHLE 2007/03/14 CHKD: IMACNEIL 2007/03/14 APPR: IMACNEIL 2007/03/15 REVISIONS	QUALITY SYMBOLS	GENERAL TOLERANCES (UNLESS SPECIFIED)	DIMENSION STYLE IN/MM	SCALE 10:1	DESIGN UNITS INCH	THIRD ANGLE PROJECTION	
	$\nabla=0$ $\nabla=0$	4 PLACES ± --- ± --- 3 PLACES ± --- ± --- 2 PLACES ± --- ± --- 1 PLACE ± --- ± --- ANGULAR ± --- °	DRAWN BY: BENDERLE 2004/07/15 CHECKED BY: R DEROSS 2004/07/15 APPROVED BY: R DEROSS 2004/07/15 MATERIAL NO.	TITLE	.110 (2.80) QD 22-18 AWG X.020 (0.51),.032(0.81) WITH & WITHOUT DIMPLE	MOLEX INCORPORATED DOCUMENT NO. SD-19016-012	SHEET NO. 1 OF 1
	DRAFT WHERE APPLICABLE MUST REMAIN WITHIN DIMENSIONS	SEE CHART	THIS DRAWING CONTAINS INFORMATION THAT IS PROPRIETARY TO MOLEX INCORPORATED AND SHOULD NOT BE USED WITHOUT WRITTEN PERMISSION				