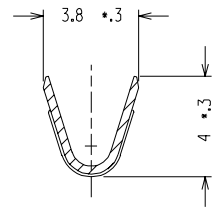
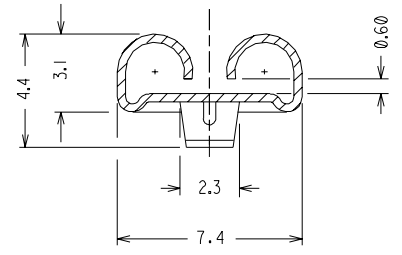
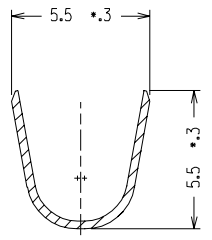


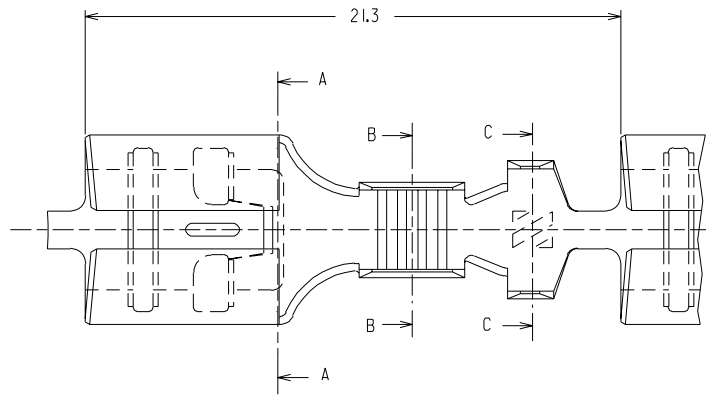
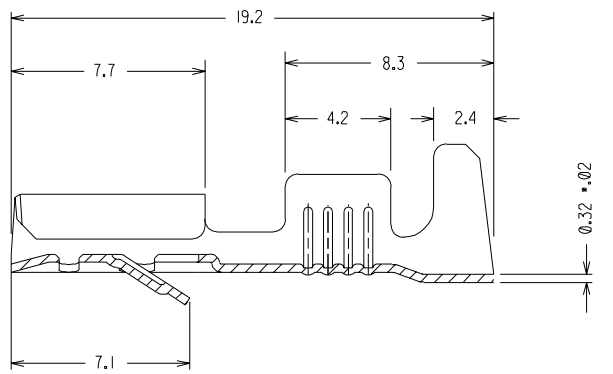
SECTION A - A



SECTION B - B



SECTION C - C



CODICE P/N	MATERIALE MATERIAL	FINITURA PLATING
94030-3910	OTTONE BRASS	GREGGIO/ PLAIN
94030-3911		STAGNATO/ TIN
94030-3912	BRONZO FOSF. PHOSPH. BRONZE	GREGGIO/ PLAIN
94030-3913		STAGNATO/ TIN

A	EMESSO CON Z9-00034 C.F.	REVISIONS	DIMENSIONS SHOWN (METRIC) INCH		DRWG BY Gottardo	REVISE ONLY ON CAD SYSTEM		SH.	REV.	
			UNLESS OTHERWISE SPECIFIED TOLERANCES ANGULAR ± 2°			CAD/CAM FILENAME	THIS DRAWING CONTAINS INFORMATION THAT IS PROPRIETARY TO MOLEX INC AND SHOULD NOT BE USED WITHOUT WRITTEN PERMISSION			
			INCH (METRIC)			CHK'D BY	TITLE			
			3 PLACE ±				CAPOCORDA FEMMINA PER MASCHIO 6.3 x 0.8 QIK KONNECT RECEPTACLE FOR 6.3 x 0.8 TABS			
2 PLACE ±		± 0.1	APP'D BY	SEZ. RAME/ WIRE RANGE: 1.0-2.5 mm ² — ISOLANTE/INS. RANGE: Ø 2.7-4.3 mm						
1 PLACE		± 0.2	Previato	MOLEX INCORPORATED			SHEET NO. DATE			
DESIGN DIMENSION (PRIMARY)		□ (MM) □ (IN)	SCALE	PART NO.			1 / 1	26-10-89		
EQUIVALENT DIMENSION (SECONDARY)		□ (MM) □ (IN)	5 : 1	VEDI TABELLA SEE CHART			DWG NO.	94030-391X	SD	SIZE B