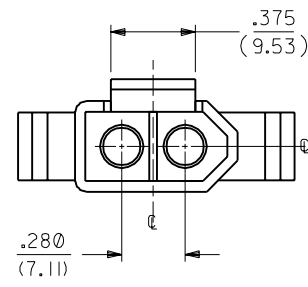
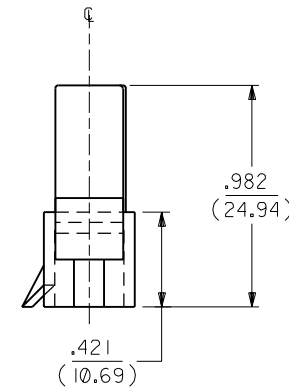
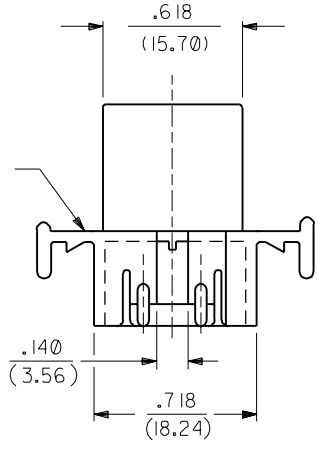


4306-P PLUG HOUSING

MOUNTING EAR (2 PL.)
SEE DETAIL 1 OR 2
(WHEN SPECIFIED)



F	3	F	F	ADD CKT. I.D. RIB. PER ECR U3 1770 GC 12/9/93 RW
F	2	F	E	REDRAWN PER ECR 10/65 GEP 6/5/87 RW
F	1	F		
MFG. SH.	REV.	LTR.	REVISIONS	

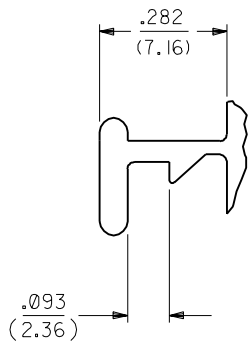
DIMENSIONS SHOWN (METRIC) INCH		$\nabla = 0$	$\blacktriangledown = 0$	REVISE ONLY ON CAD SYSTEM												
UNLESS OTHERWISE SPECIFIED TOLERANCES: ANGULAR $\pm 1/2^\circ$		TITLE														
		HOUSING, 2 CIRCUIT PLUG AND RECEPTACLE $\frac{.125}{(3.18)}$ DIA.														
<table border="1"> <thead> <tr> <th></th> <th>INCH</th> <th>METRIC</th> </tr> </thead> <tbody> <tr> <td>3 PLACE</td> <td>$\pm .010$</td> <td>---</td> </tr> <tr> <td>2 PLACE</td> <td>$\pm .014$</td> <td>± 0.25</td> </tr> <tr> <td>1 PLACE</td> <td>---</td> <td>± 0.36</td> </tr> </tbody> </table>			INCH	METRIC	3 PLACE	$\pm .010$	---	2 PLACE	$\pm .014$	± 0.25	1 PLACE	---	± 0.36	MOLEX INCORPORATED LISLE, ILL. 60532 U.S.A.		SHEET NO. 1 of 3 DATE 6/5/87
	INCH	METRIC														
3 PLACE	$\pm .010$	---														
2 PLACE	$\pm .014$	± 0.25														
1 PLACE	---	± 0.36														
DRAFT WHERE APPLICABLE MUST REMAIN WITHIN DIMENSIONS		PART NO. SEE CHART		DRWG. NO. SD-4306-*												
DRWG. BY GEP	CHK'D. BY RW	FILE NAME SD4306X1.DGN		THIS DRAWING CONTAINS INFORMATION THAT IS PROPRIETARY TO MOLEX INC. AND SHOULD NOT BE USED WITHOUT WRITTEN PERMISSION.												
APP'D. BY RAS	SCALE 2 : 1			DIV. CP	SIZE B											

PLUG

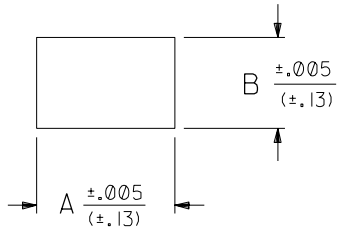
RECEPTACLE

PART NO.	ENG. NO.	DESCRIPTION
03-12-2021	4306-P	PLUG WITH STANDARD EARS (DETAIL 1)
03-12-2022	4306-P1	PLUG W/O EARS
03-12-2023	4306-PB	PLUG W/PREBENT EARS (DETAIL 2)

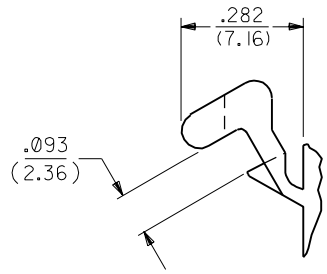
PART NO.	ENG. NO.	DESCRIPTION
03-12-1021	4306-R	RECEPTACLE WITH STANDARD EARS (DETAIL 1)
03-12-1022	4306-R1	RECEPTACLE W/O EARS
03-12-1023	4306-RB	RECEPTACLE W/PREBENT EARS (DETAIL 2)



DETAIL 1
STANDARD MOUNTING EAR
SCALE 4:1



MOUNTING PANEL OPENING		
HOUSING	DIM. "A"	DIM. "B"
PLUG	.878/(22.30)	.432/(10.97)
RECEPTACLE	.778/(19.76)	.375/(9.53)



DETAIL 2
PREBENT MOUNTING EAR
SCALE 4:1

- NOTES:
- MATERIAL: NYLON TYPE 6/6, 94V-2, NATURAL.
 - FOR USE WITH .125/(3.18) DIA. SERIES TERMINALS.
 - MAXIMUM PANEL THICKNESS .090/(2.29).

LTR.	REVISIONS	LTR.	REVISIONS
		F	SEE SHEET 1
		E	SEE SHEET 1

DIMENSIONS SHOWN (METRIC) INCH	
UNLESS OTHERWISE SPECIFIED TOLERANCES: ANGULAR # 1/2°	
INCH METRIC	
3 PLACE	± .010 ---
2 PLACE	± .014 ± 0.25
1 PLACE	--- ± 0.35
DRAFT WHERE APPLICABLE MUST REMAIN WITHIN DIMENSIONS	
DRWG. BY	GEP
CHK'D. BY	RW
APP'D. BY	RAS
SCALE	2 : 1

= 0 = 0 **REVISE ONLY ON CAD SYSTEM**
 TITLE: HOUSING, 2 CIRCUIT PLUG AND RECEPTACLE
 .125/(3.18) DIA.
 MOLEX INCORPORATED SHEET NO. 3 DATE 6/5/87
 LISLE, ILL. 60532 U.S.A.
 PART NO. SEE CHART DRWG. NO. SD-4306-
 FILE NAME: SD4306X3.DWG THIS DRAWING CONTAINS INFORMATION THAT IS PROPRIETARY TO MOLEX INC. AND SHOULD NOT BE USED WITHOUT WRITTEN PERMISSION. DIV. CP SIZE B