

**NOTES:**

**1- MATERIAL:**

HOUSING: LCP GLASS FILLED UL 94V0 COLOUR: BLACK

TERMINAL: COPPER ALLOY PLATED WITH:  
BASE FINISH: NICKEL

CONTACT SURFACE FINISH:  
GOLD  
OR

GOLD FLASH OVER PALLADIUM NICKEL.

EXCEEDS PRODUCT REQUIREMENTS BASED ON PS-95501

SOLDER TABS: BRASS PLATED WITH 0.0020 MIN TIN.

2- JACK FOR MATING WITH IEC 60603-7 AND TIA-1096-A PLUGS  
(MOLEX 90075 SERIES)

3- PRODUCT SPECIFICATION: MOLEX PS-95501

4- POLYIMIDE ADHESIVE TAPE FOR PICK & PLACE SURFACE.  
THICKNESS: 125 μm

5- PACKAGING SPECIFICATION: MOLEX PK-85502.  
(BLISTER PACKAGING).

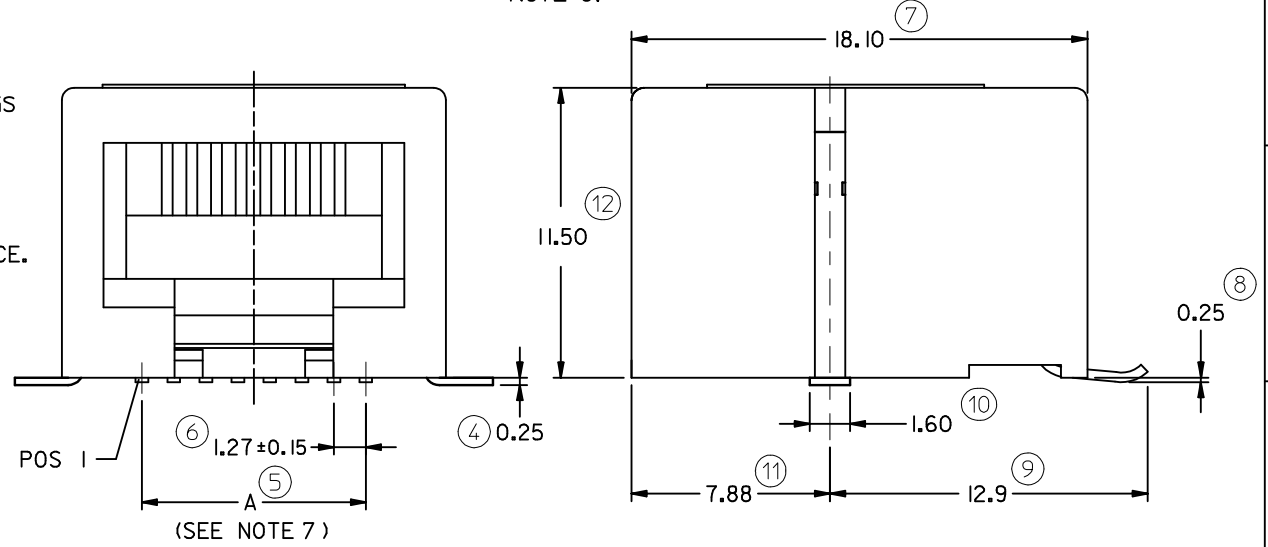
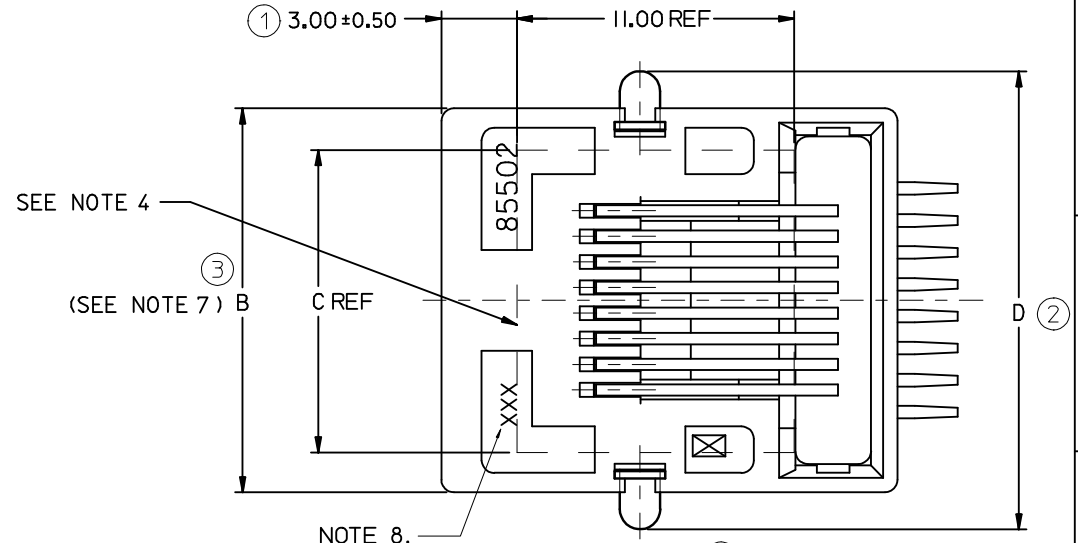
6- COPLANARITY OF SIGNAL LEADS: 0.10

7- SEE DIMENSIONS IN CHART ON SHEET 2.

8- MANUFACTURING I.D. CAN BE EITHER MG, MXF OR MXI.

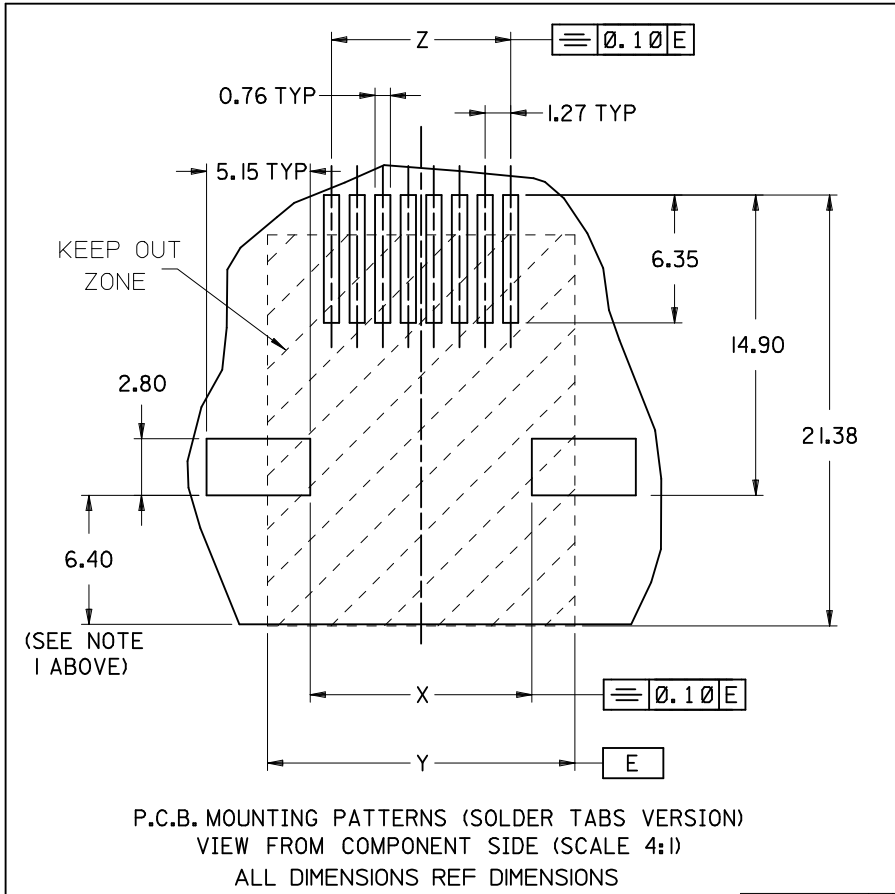
9- APPLICATION SPECIFICATION: AS-85513-001

LAST INSPECTION NUMBER: 12



<b>CHANGED PRODUCT SPEC:</b> EC NO: IPG2013-0771 DRWN:DBYRNES 2012/11/23 CHKD: APPR:STGRIFFIN 2012/12/13 REV DESCRIPTION	QUALITY SYMBOLS	GENERAL TOLERANCES (UNLESS SPECIFIED)	DIMENSION STYLE	SCALE	DESIGN UNITS	THIRD ANGLE PROJECTION	
	▽=0 ◻=0	mm INCH 4 PLACES ± --- ± --- 3 PLACES ± --- ± --- 2 PLACES ± 0.25 ± --- 1 PLACE ± 0.35 ± --- ANGULAR ± 2 °	MM ONLY	5:1	METRIC	☉ ◻ THIRD ANGLE PROJECTION	
			DRAWN BY DATE DB 2006/06/12 CHECKED BY DATE EOMAHONY 2006/06/15 APPROVED BY DATE EOMAHONY 2006/06/15	TITLE	R/A LOW PROFILE TRUE SMT 4,6 & 8 CONTACTS PC JACK WITH SIDE SOLDER TABS		
		DRAFT WHERE APPLICABLE MUST REMAIN WITHIN DIMENSIONS	MATERIAL NO. SEE CHART SHT 2 SIZE A3	MOLEX INCORPORATED DOCUMENT NO. SD-85502-101	SHEET NO. 1 OF 2		

NOTES  
 1: RECOMMENDED DISTANCE FROM THE PCB'S EDGE  
 2: PLATING SEE SHEET ONE



PART NUMBERS FOR TRUE SMT JACK WITH SOLDER TABS									
HOUSING COLOR	POS 4	TOOLED	POS 6	TOOLED	POS 6	TOOLED	POS 8	TOOLED	
	4 CKTS		4 CKTS		6 CKTS		8 CKTS		
STANDARD VERSION	BLACK	85502-5005	X	85502-5006	X	85502-5007	X	85502-5008	X

TYPE	POS 4	POS 6		POS 8
	4 CKTS	4 CKTS	6 CKTS	8 CKTS
A ±0.15	3.81	3.81	6.35	8.89
B	11.18	13.21	13.21	15.24
C (REF)	8.50	8.50	8.50	12.00
D ±0.35	14.13	16.16	16.16	18.19
X ±0.10	6.94	8.97	8.97	11.00
Y (REF)	11.18	13.21	13.21	15.24
Z ±0.05	3.81	3.81	6.35	8.89

SEE SHEET 1 EC NO: IPG2012-0603 DRW:DBYRNS 2012/03/30 CHKD:SMGREVV 2012/04/02 APPR:EFOLAN 2012/06/26	QUALITY SYMBOLS	GENERAL TOLERANCES (UNLESS SPECIFIED)	DIMENSION STYLE	SCALE	DESIGN UNITS	THIRD ANGLE PROJECTION
	$\nabla=0$ $\square=0$	mm INCH	MM ONLY	5:1	METRIC	
	4 PLACES ± --- ± --- 3 PLACES ± --- ± --- 2 PLACES ± 0.25 ± --- 1 PLACE ± 0.35 ± --- ANGULAR ± 2°	DRAWN BY: DB DATE: 2006/06/12 CHECKED BY: EOMAHONY DATE: 2006/06/15 APPROVED BY: EOMAHONY DATE: 2006/06/15	TITLE: R/A LOW PROFILE TRUE SMT 4,6 & 8 CONTACTS PC JACK WITH SIDE SOLDER TABS MOLEX INCORPORATED			
	DRAFT WHERE APPLICABLE MUST REMAIN WITHIN DIMENSIONS	MATERIAL NO.: SEE CHART DOCUMENT NO.: SD-85502-101 SHEET NO.: 2 OF 2				