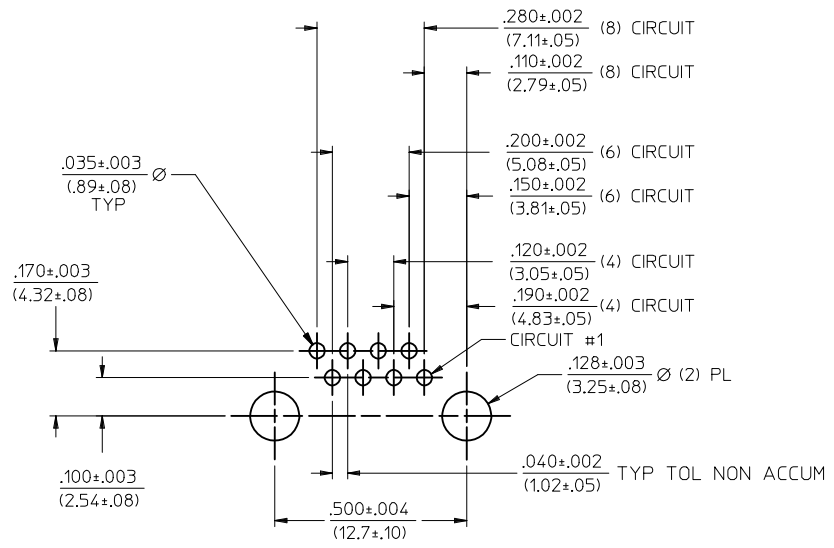
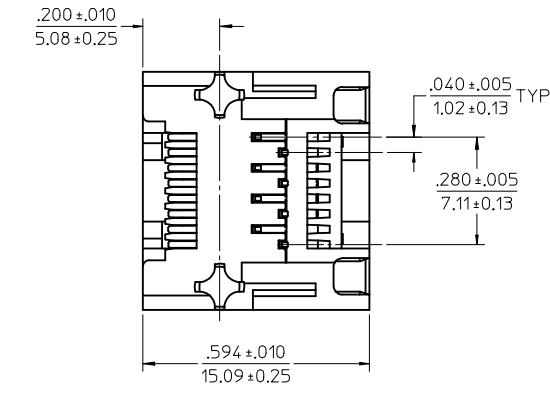
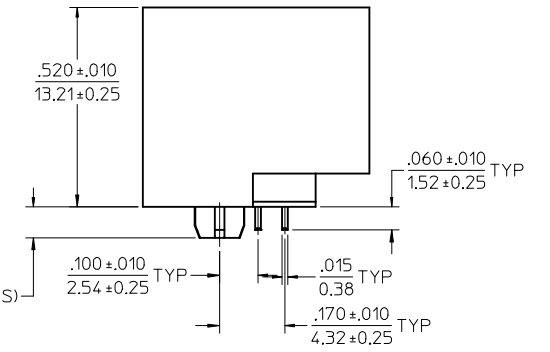
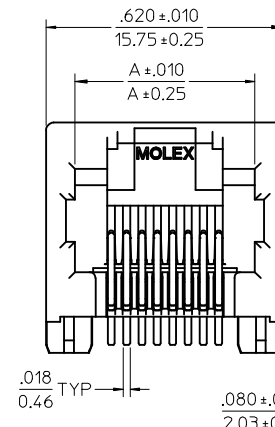


NOTES

- 1) MATERIAL:  
HOUSING: GLASS FILLED NYLON, 94V-0 COLOR: BLACK  
TERMINALS: PHOSPHOR BRONZE, .015/(0.38) THICK  
SHIELD: BRASS
- 2) PLATING:  
TERMINALS:  
SELECT GOLD IN CONTACT AREA: 50 MICROINCHES (1.27 MICROMETERS) MIN.,  
SELECT TIN IN PC TAIL AREA: 100 MICROINCHES (2.54 MICROMETERS) MIN.,  
WITH OVERALL NICKEL UNDERPLATE: 50 MICROINCHES (1.27 MICROMETERS) MIN.
- 3) PRODUCT SPECIFICATION:  
CONNECTOR PERFORMANCE SPECIFICATIONS PER MOLEX  
PRODUCT SPECIFICATION PS-43860-003
- 4) PACKAGING OPTIONS:  
CONNECTOR ASSEMBLIES IN EXTRUDED TUBES  
PER PACKAGING SPECIFICATION PK-43860-004
- 5) ALL UNTOLERANCED DIMENSIONS ARE SHOWN FOR  
REFERENCE ONLY
- 6) CONFORMS TO F.C.C. REGULATION PART 68.5 FOR MODULAR JACKS.
- 7) THIS PART CONFORMS TO CLASS B REQUIREMENTS OF COSMETIC  
SPECIFICATION PS-45499-002.



PC BOARD LAYOUT  
COMPONENT SIDE OF BOARD  
RECOMMENDED PC BOARD THICKNESS .039/1.00

MATERIAL NUMBER	CONNECTOR SIZE	DIM. "A"	CIRCUITS
44380-0001	8	.470/11.94	8
44380-0002	6	.389/9.88	6
44380-0003	6	.389/9.88	4
44380-0019	8	.470/11.94	4

REV	DESCRIPTION	DATE	BY	CHKD	APPR
C2	UPDATE VIEWS	2015/05/19	DRW:NGUYEN	JBELL	FSMITH
		2014/07/16			
		2014/07/16			

GENERAL TOLERANCES (UNLESS SPECIFIED)	DIMENSION STYLE	
	mm	INCH
4 PLACES ±	---	---
3 PLACES ±	---	---
2 PLACES ±	---	---
1 PLACE ±	---	---
0 PLACE ±	---	---

SCALE	DESIGN UNITS	THIRD ANGLE PROJECTION
4:1	INCH	☉

DRAWN BY	DATE	TITLE
MAYO	1999/04/09	INVERTED MODULAR JACK ASSEMBLY (MINI-PCI COMPLIANT)
CHECKED BY	DATE	
ROBERTS	1999/04/09	
APPROVED BY	DATE	
ROBERTS	1999/04/09	

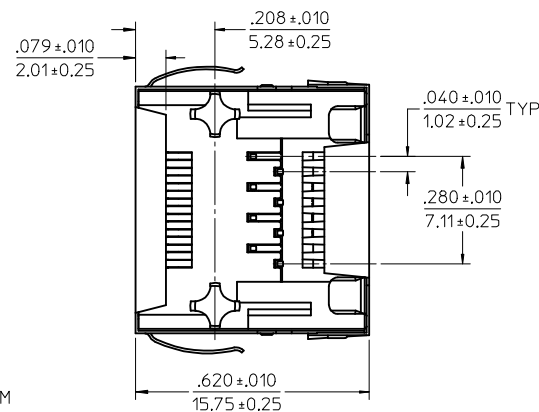
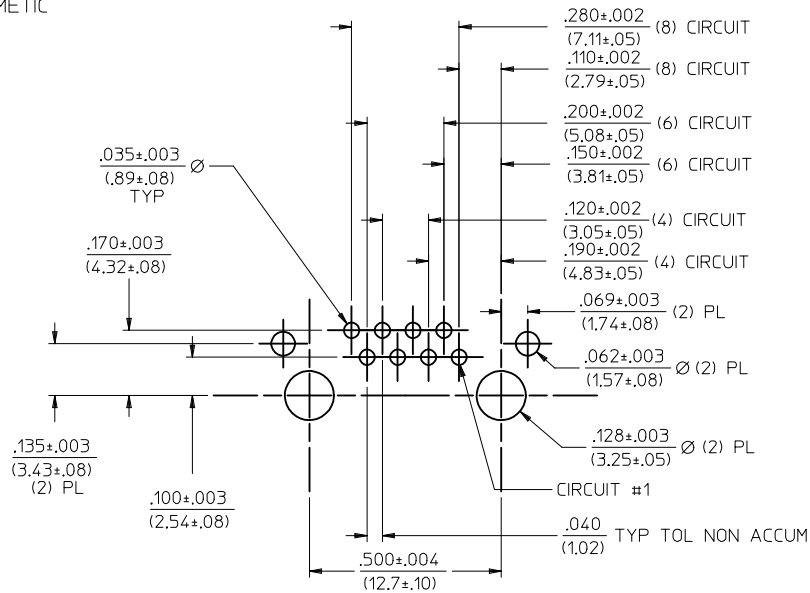
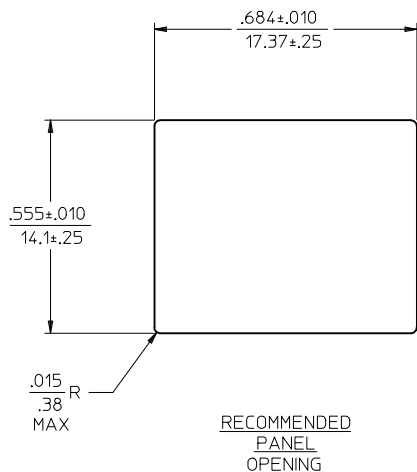
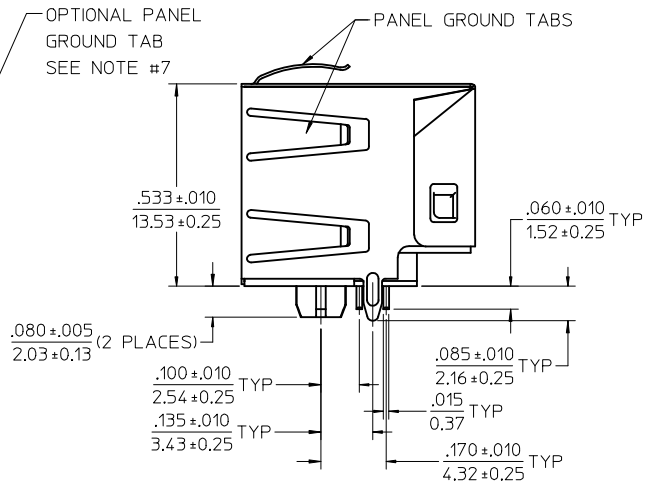
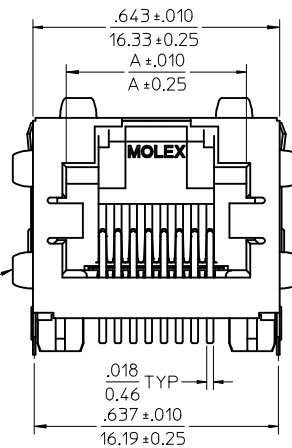
**molex**

MATERIAL NO.	DOCUMENT NO.	SHEET NO.
SEE CHART	SD-44380-001	1 OF 5

THIS DRAWING CONTAINS INFORMATION THAT IS PROPRIETARY TO MOLEX INCORPORATED AND SHOULD NOT BE USED WITHOUT WRITTEN PERMISSION

NOTES

- 1) MATERIAL:  
HOUSING: GLASS FILLED NYLON, 94V-0 COLOR: BLACK  
TERMINALS: PHOSPHOR BRONZE, .015/(0.38) THICK  
SHIELD: BRASS
- 2) PLATING:  
TERMINALS:  
SELECT GOLD IN CONTACT AREA: 50 MICROINCHES (1.27 MICROMETERS) MIN.,  
SELECT TIN IN PC TAIL AREA: 100 MICROINCHES (2.54 MICROMETERS) MIN.,  
WITH OVERALL NICKEL UNDERPLATE: 50 MICROINCHES (1.27 MICROMETERS) MIN.  
SHIELD:  
100 MICROINCHES (2.54 MICROMETERS) NICKEL OVER 50 MICROINCHES  
(1.27 MICROMETERS) COPPER UNDERPLATE; PCB GROUND TABS DIPPED IN TIN
- 3) PRODUCT SPECIFICATION:  
CONNECTOR PERFORMANCE SPECIFICATIONS PER MOLEX  
PRODUCT SPECIFICATION PS-43860-003
- 4) PACKAGING OPTIONS:  
CONNECTOR ASSEMBLIES IN THERMOFORMED TRAYS  
PER PACKAGING SPECIFICATION PK-44380-005  
OPTION (44380-2004) PACKAGED IN TAPE AND REEL
- 5) ALL UNTOLERANCED DIMENSIONS ARE SHOWN FOR REFERENCE ONLY
- 6) CONFORMS TO F.C.C. REGULATION PART 68.5 FOR MODULAR JACKS
- 7) AVAILABLE WITH THE (2) SPECIFIED PANEL GROUND TABS  
OMITTED FOR SIDE TO SIDE STACKABILITY, PER THE ASSEMBLY MATERIAL NUMBER TABLE.
- 8) THIS PART CONFORMS TO CLASS B REQUIREMENTS OF COSMETIC SPECIFICATION PS-45499-002.

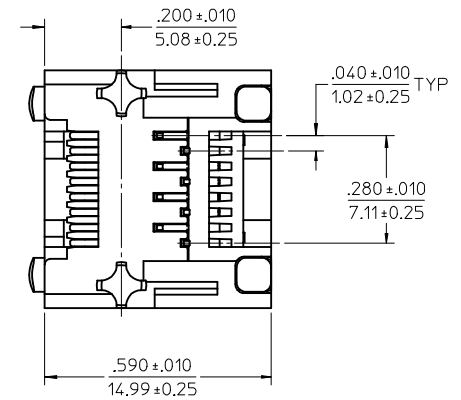
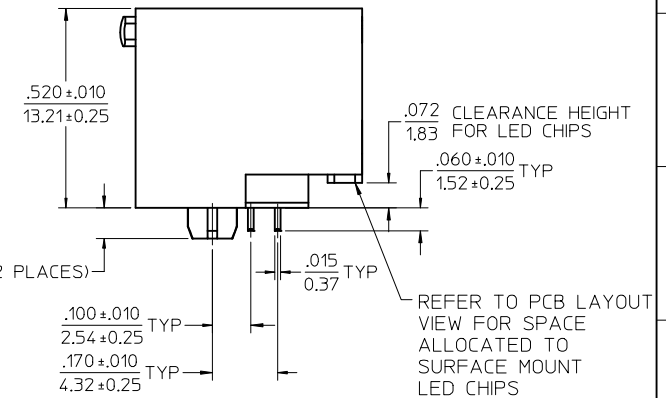
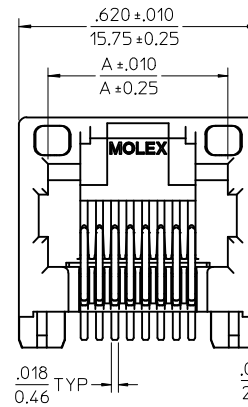


PC BOARD LAYOUT  
COMPONENT SIDE OF BOARD  
RECOMMENDED PC BOARD THICKNESS: .039/1.00

MATERIAL NUMBER	CONNECTOR SIZE	DIM. "A"	CIRCUITS	PANEL GROUND TABS
44380-0004	8	.470/11.94	8	ALL
44380-0005	6	.389/9.88	6	ALL
44380-0006	6	.389/9.88	4	ALL
44380-0013	8	.470/11.94	8	SEE NOTE #7
44380-0014	6	.389/9.88	6	SEE NOTE #7
44380-0015	6	.389/9.88	4	SEE NOTE #7
44380-2004	8	.470/11.94	8	ALL

SEE SHEET 1 EC NO: UCP2015-0148 DRAWING NO: 2014/07/16 CHKD: JEBLL APPR: FSM/TH 2015/05/19	QUALITY SYMBOLS ∇=0 ∇=0 ∇=0	GENERAL TOLERANCES (UNLESS SPECIFIED) <table border="1"> <tr> <th></th> <th>mm</th> <th>INCH</th> </tr> <tr> <td>4 PLACES ±</td> <td>---</td> <td>±---</td> </tr> <tr> <td>3 PLACES ±</td> <td>---</td> <td>±---</td> </tr> <tr> <td>2 PLACES ±</td> <td>---</td> <td>±---</td> </tr> <tr> <td>1 PLACE ±</td> <td>---</td> <td>±---</td> </tr> <tr> <td>0 PLACE ±</td> <td>±</td> <td>±</td> </tr> </table>		mm	INCH	4 PLACES ±	---	±---	3 PLACES ±	---	±---	2 PLACES ±	---	±---	1 PLACE ±	---	±---	0 PLACE ±	±	±	DIMENSION STYLE IN/MM	SCALE 4:1	DESIGN UNITS INCH	THIRD ANGLE PROJECTION
				mm	INCH																			
4 PLACES ±	---	±---																						
3 PLACES ±	---	±---																						
2 PLACES ±	---	±---																						
1 PLACE ±	---	±---																						
0 PLACE ±	±	±																						
DRAFT WHERE APPLICABLE MUST REMAIN WITHIN DIMENSIONS	MATERIAL NO. SEE CHART	DATE 1999/04/09	DATE 1999/04/09	DATE 1999/04/09	TITLE INVERTED MODULAR JACK ASSEMBLY (MINI-PCI COMPLIANT)	DOCUMENT NO. SD-44380-001																		
THIS DRAWING CONTAINS INFORMATION THAT IS PROPRIETARY TO MOLEX INCORPORATED AND SHOULD NOT BE USED WITHOUT WRITTEN PERMISSION						SHEET NO. 2 OF 5																		

- NOTES
- MATERIAL:  
HOUSING:  
GLASS FILLED NYLON, 94V-0, COLOR: BLACK  
TERMINALS:  
PHOSPHOR BRONZE, .015/(0.38) THK  
LIGHTPIPE:  
POLYCARBONATE- WAVE OR HAND SOLDER ONLY  
(NOT DESIGNED FOR I/R REFLOW OR CONVECTION REFLOW  
SOLDER PROCESSES)  
POLYSULFONE - MAXIMUM REFLOW TEMPERATURE: 400°F (205°C)
  - PLATING:  
TERMINAL:  
SELECT GOLD IN CONTACT AREA: 50 MICROINCHES (1.27 MICROMETERS) MIN.,  
SELECT TIN IN PC TAIL AREA: 100 MICROINCHES (2.54 MICROMETERS) MIN.,  
WITH OVERALL NICKEL UNDERPLATE: 50 MICROINCHES (1.27 MICROMETERS) MIN.
  - PACKAGING SPECIFICATION:  
CONNECTOR PERFORMANCE SPECIFICATIONS PER MOLEX  
PRODUCT SPECIFICATION PS-43860-003
  - PACKAGING:  
PER PACKAGING SPECIFICATION PK-43860-004
  - APPLICATION SPECIFICATION: AS-43860-001.
  - ALL UNTOLERANCED DIMENSIONS ARE SHOWN FOR REFERENCE ONLY.
  - CONFORMS TO F.C.C. REGULATION PART 68.5 FOR MODULAR JACKS.
  - REFER TO PAGE (5) OF (5) FOR RECOMMENDED PCB LAYOUT.
  - THIS PART CONFORMS TO CLASS B REQUIREMENTS OF COSMETIC SPECIFICATION PS-45499-002.



MATERIAL NUMBER	LIGHTPIPE MATERIAL	CONNECTOR SIZE	DIM. "A"	CIRCUITS
44380-0007	POLYCARBONATE	8	.470/11.94	8
44380-0008	POLYCARBONATE	6	.389/9.88	6
44380-0009	POLYCARBONATE	6	.389/9.88	4
44380-0020	POLYSULFONE	8	.470/11.94	8
44380-0021	POLYSULFONE	6	.389/9.88	6
44380-0022	POLYSULFONE	6	.389/9.88	4

SEE SHEET 1	EC NO: UCP2015-0148	2014/07/16
	DRW: NGUYEN	2014/07/16
C2	CHKD: J.BELL	2015/05/19
	APPR: F.S.MITH	2015/05/19

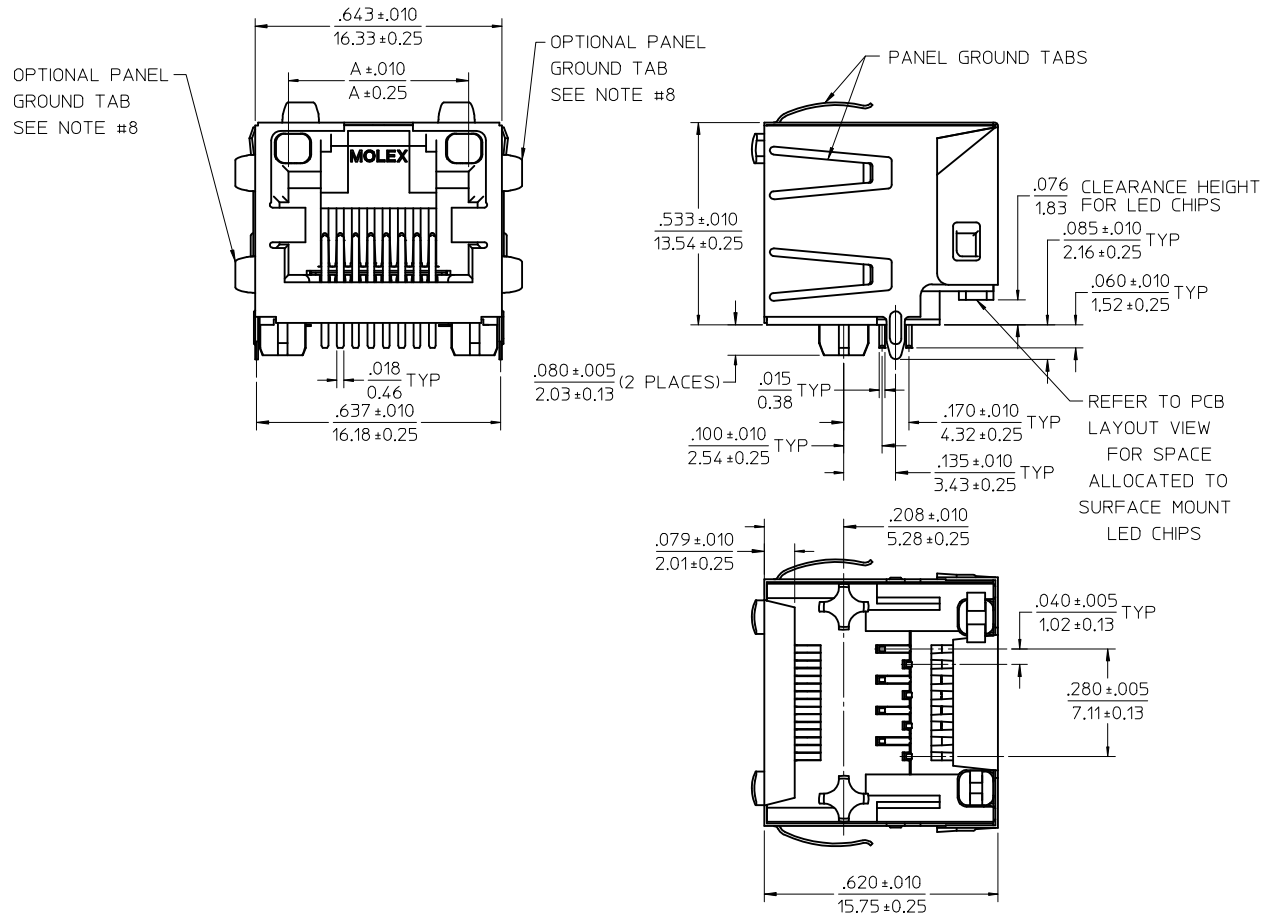
QUALITY SYMBOLS	GENERAL TOLERANCES (UNLESS SPECIFIED)	
	mm	INCH
▽=0	4 PLACES ±	±
▽=0	3 PLACES ±	±
▽=0	2 PLACES ±	±
▽=0	1 PLACE ±	±
▽=0	0 PLACE ±	±
	ANGULAR ±1/2°	
	DRAFT WHERE APPLICABLE MUST REMAIN WITHIN DIMENSIONS	

DIMENSION STYLE		SCALE	DESIGN UNITS	THIRD ANGLE PROJECTION
IN/MM		4:1	INCH	
DRAWN BY	DATE	<b>INVERTED MODULAR JACK ASSEMBLY (MINI-PCI COMPLIANT)</b> <b>molex</b>		
MAYO	1999/04/09			
CHECKED BY	DATE			
ROBERTS	1999/04/09			
APPROVED BY	DATE	<b>SD-44380-001</b>		
ROBERTS	1999/04/09			

MATERIAL NO.	DOCUMENT NO.	SHEET NO.
SEE CHART	SD-44380-001	3 OF 5
THIS DRAWING CONTAINS INFORMATION THAT IS PROPRIETARY TO MOLEX INCORPORATED AND SHOULD NOT BE USED WITHOUT WRITTEN PERMISSION		

NOTES

- 1) MATERIAL:
- HOUSING:  
GLASS FILLED NYLON, 94V-0, COLOR: BLACK
- TERMINALS:  
PHOSPHOR BRONZE, .015/(0,38) THK
- SHIELD:  
BRASS
- LI



SEE SHEET 1	EC NO: UCP2015-0148 DRAWN: NGUYEN 2014/07/16 CHKD: BELL 2014/07/16 APPR: F. SMITH 2015/05/19	DESCRIPTION	QUALITY SYMBOLS	GENERAL TOLERANCES (UNLESS SPECIFIED)		DIMENSION STYLE	SCALE	DESIGN UNITS	THIRD ANGLE PROJECTION
				mm	INCH	IN/MM	4:1	INCH	
			$\nabla = 0$	4 PLACES $\pm$ ---	$\pm$ ---	DRAWN BY	DATE	TITLE	
			$\nabla = 0$	3 PLACES $\pm$ ---	$\pm$ ---	MAYO	1999/04/09	INVERTED MODULAR JACK ASSEMBLY (MINI-PCI COMPLIANT)	
$\nabla = 0$	2 PLACES $\pm$ ---	$\pm$ ---	CHECKED BY	DATE	molex				
	1 PLACE $\pm$ ---	$\pm$ ---	ROBERTS	1999/04/09		SD-44380-001	SHEET NO.		
	0 PLACE $\pm$ ---	$\pm$ ---	APPROVED BY	DATE		4 OF 5			
			ROBERTS	1999/04/09					
			ANGULAR $\pm 1/2^\circ$	MATERIAL NO.	DOCUMENT NO.				
			DRAFT WHERE APPLICABLE MUST REMAIN WITHIN DIMENSIONS	SEE CHART					
				SIZE	THIS DRAWING CONTAINS INFORMATION THAT IS PROPRIETARY TO MOLEX INCORPORATED AND SHOULD NOT BE USED WITHOUT WRITTEN PERMISSION				