

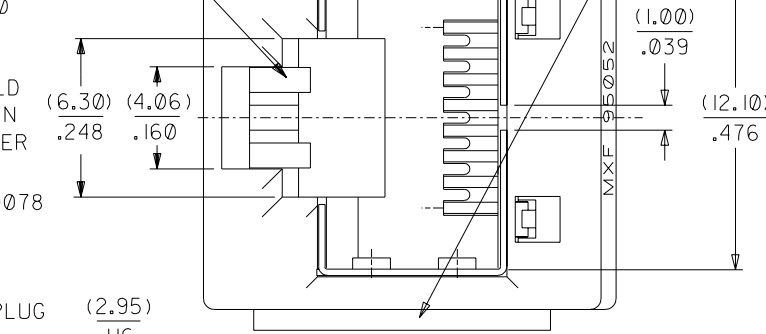
PART NO. SEE CHART SDA 95052  
 DWG. NO.

NOTES :

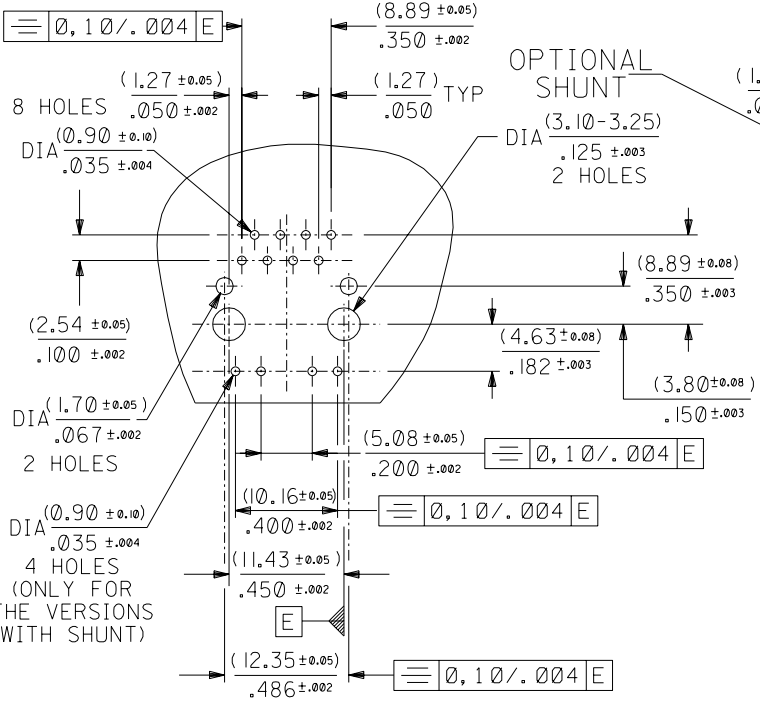
- 1- MATERIAL : HOUSING : POLYESTER G.F. 94V0  
 COLOR : BLACK  
 TERMINAL : PHOSPHOR BRONZE,  
 PLATED WITH (0.00127)/.000050 MIN. GOLD  
 IN CONTACT AREA ,(0.00190)/.000075 MIN  
 (90/10) TIN/LEAD IN TAIL AREA BOTH OVER  
 (0.00127)/.000050 MIN NICKEL OVERALL  
 SHIELD : BRASS PLATED WITH (0.0020)/.000078  
 MIN TIN/LEAD  
 SHUNT : PHOSPHOR BRONZE PLATED WITH  
 (0.0020)/.000078 MIN TIN/LEAD
- 2- JACK FOR MATING WITH F.C.C. 68 TYPE PLUG  
 MOLEX 95043 SERIES
- 3- P.C.BOARD THICKNESS : (1.57)/.062 .
- 4- PRODUCT SPECIFICATION PS-95040
- 5- APPLICATION SPECIFICATION AS-95001
- 6- PACKAGING SPECIFICATION PK-95022

OPTIONAL SHUNT

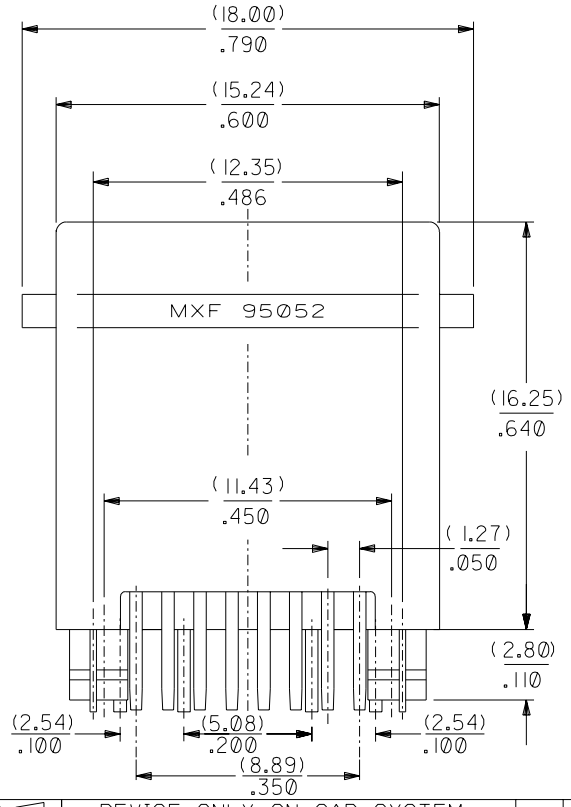
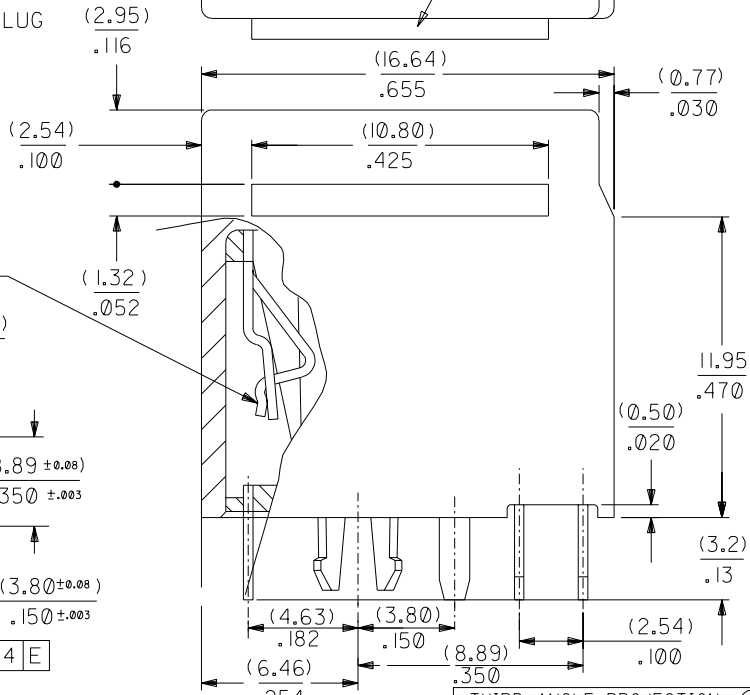
OPTIONAL RIBS



ENG. NO.	HSG SIZE	LOADED CKTS	WITH RIBS	WITH SHUNT	TOOLED
95052-2881	8	8	NO	NO	NO
95052-2885	8	8	NO	YES	NO
95052-2886	8	8	YES	YES	NO
95052-2887	8	8	YES	NO	YES



OPTIONAL SHUNT  
 (3.10-3.25) DIA .125 ±.003 2 HOLES



P.C.B. MOUNTING PATTERNS  
 (SCALE 2 : 1)

REVISIONS		THIRD ANGLE PROJECTION	
3 PLACE ± .010 ±	INCH	DRWG BY	MA
2 PLACE ± .014 ± 0.25	METRIC	CHK'D BY	CB
1 PLACE ± ± 0.35		APP'D BY	JB
DRAFT WHERE APPLICABLE MUST REMAIN WITHIN DIMENSIONS		SCALE	5:1
DESIGN DIMENSION <input checked="" type="checkbox"/> MM <input type="checkbox"/> IN.			
EQUIVALENT DIMENSION <input type="checkbox"/> MM <input checked="" type="checkbox"/> IN.			

REVISIONS		THIRD ANGLE PROJECTION		REVISE ONLY ON CAD SYSTEM	
UNLESS OTHERWISE SPECIFIED TOLERANCES: ANGULAR ±2'	INCH	DRWG BY	MA	SIGN	
3 PLACE ± .010 ±	METRIC	CHK'D BY	CB	SIGN	
2 PLACE ± .014 ± 0.25		APP'D BY	JB	SIGN	
1 PLACE ± ± 0.35		SCALE	5:1		
DRAFT WHERE APPLICABLE MUST REMAIN WITHIN DIMENSIONS				CAD/CAM PROJECT NAME S95052X1 DGN	
				THIS DRAWING CONTAINS INFORMATION THAT IS PROPRIETARY TO MOLEX INC. & SHOULD NOT BE USED WITHOUT WRITTEN PERMISSION	
				TITLE TOP ENTRY SHIELDED AND SHUNTED JACK W.E. TYPE	
				SHEET NO. DATE 1 OF 1 92/04/28	
				PART NO. SEE CHART	
				DWG NO. SDA 95052	
				SIZE B	

