

NOTES :

1- MATERIAL:

-HOUSING: LCP FIBER GLASS FILLED UL 94-V0 COLOR BLACK.

-TERMINAL: PHOSPHOR BRONZE

PLATING:

BASE FINISH: NICKEL

CONTACT SURFACE FINISH:

GOLD,

OR

GOLD FLASH OVER PALLADIUM NICKEL.

EXCEEDS PRODUCT REQUIREMENTS BASED ON PS-85507-001

-SHIELD: COPPER ALLOY PLATED WITH TIN

2- JACK FOR MATING WITH IEC 60603-7 AND TIA-1096-A SHIELDED PLUGS (95043 MOLEX SERIES).

3- PRODUCT SPECIFICATION PS-85507-001

4- PACKAGING SPECIFICATION PK-95022 (TRAY PACKAGING).

5- EXCEEDS CATEGORY 5E PERFORMANCE.

6- PC BOARD THICKNESS: 1.57

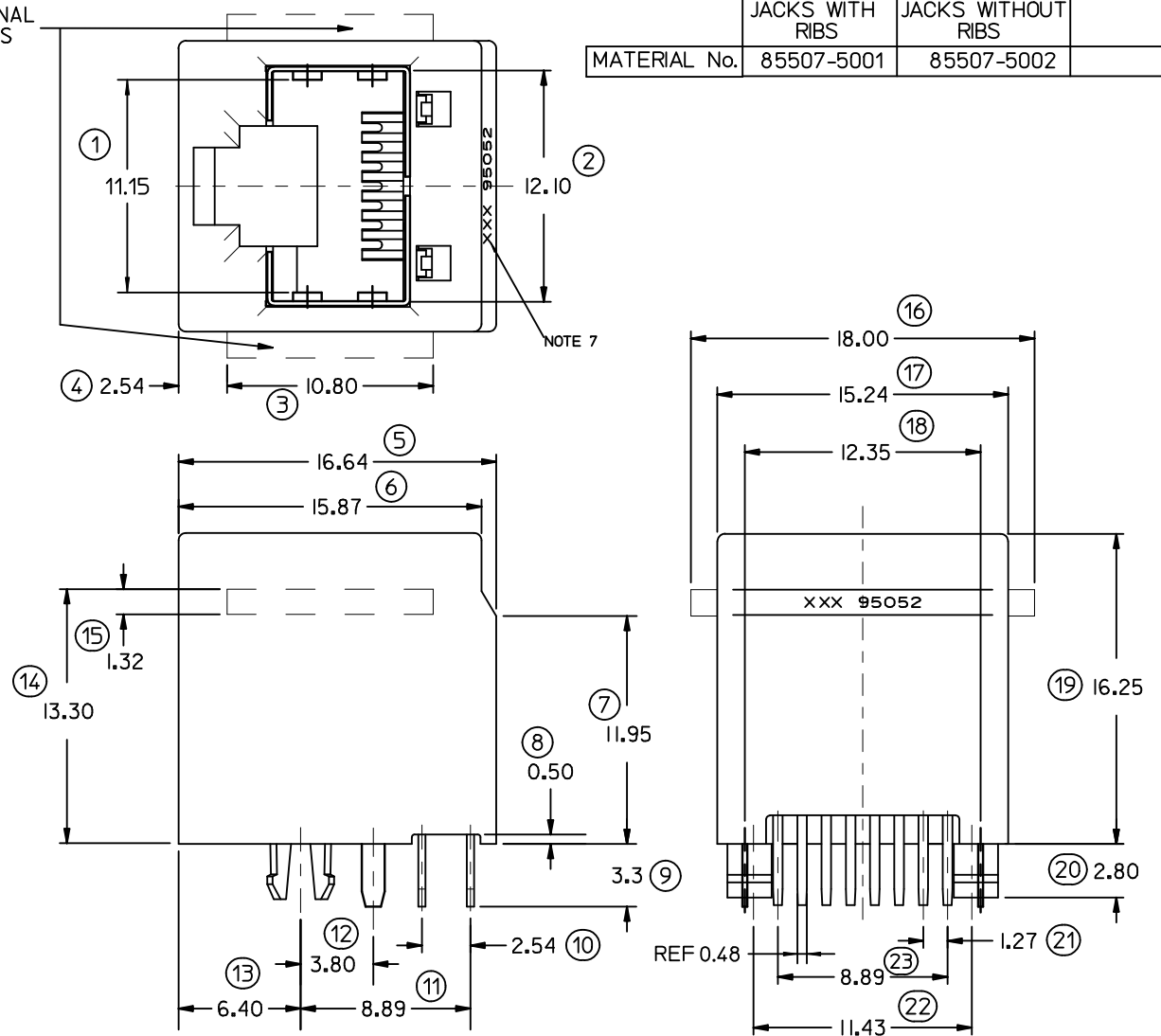
7- MANUFACTURING I.D. CAN BE MG, MXF OR MXI.

8- APPLICATION SPECIFICATION: AS-85513-001

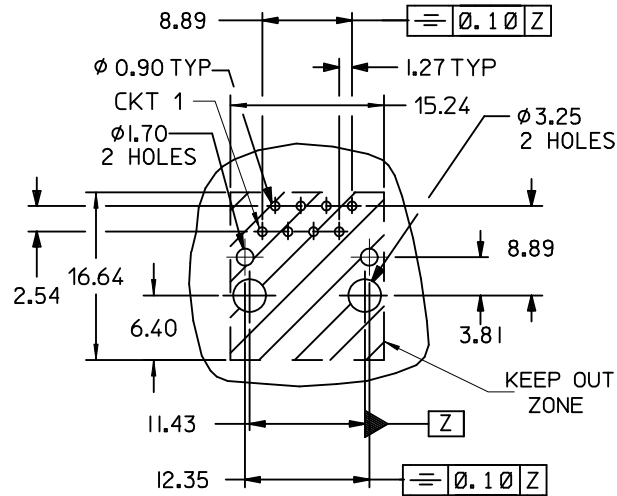
9- LAST INSPECTON NUMBER 23

	JACKS WITH RIBS	JACKS WITHOUT RIBS
MATERIAL No.	85507-5001	85507-5002

OPTIONAL RIBS



P.C.B. MOUNTING PATTERN
(View from component side)
SCALE 2:1



ALL DIMENSIONS REFERENCE ONLY

REMOVED PLATING OPTIONS



SEE CHART

A3

THIRD ANGLE PROJECTION