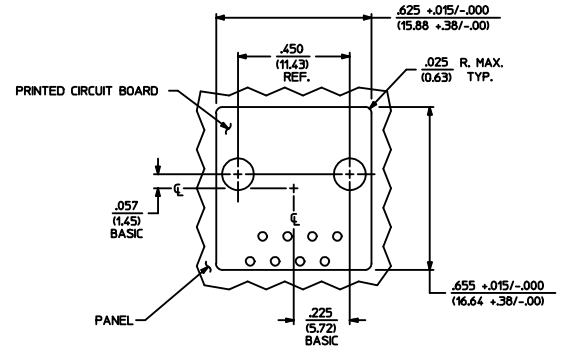
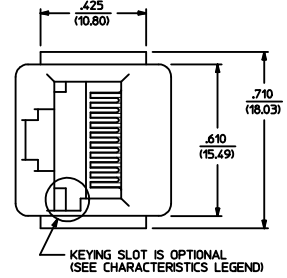


MODULAR JACK CHARACTERISTICS LEGEND	
EXTERNAL CONNECTOR BODY DIMENSIONS: (SEE NOTES 8 AND 9) JACKS ARE AVAILABLE IN STANDARD 4, 6, AND 8 POSITION BODY SIZES	
NUMBER OF CONTACT POSITIONS: CONNECTOR SIZE 4 CAN ACCOMMODATE 2 OR 4 TERMINALS, CONNECTOR SIZE 6 CAN ACCOMMODATE 2, 4, OR 6 TERMINALS, CONNECTOR SIZE 8 CAN ACCOMMODATE 2, 4, 6, 8, OR 10 TERMINALS	
POLARIZATION OPTION: "NO"= JACKS WITHOUT KEYING SLOT "YES"= JACKS WITH KEYING SLOT (AVAILABLE ON CONNECTOR SIZE 8 ONLY)	
MOUNTING EARS OPTION: "YES"= JACKS WITH MOUNTING EARS "NO"= JACKS WITHOUT MOUNTING EARS	

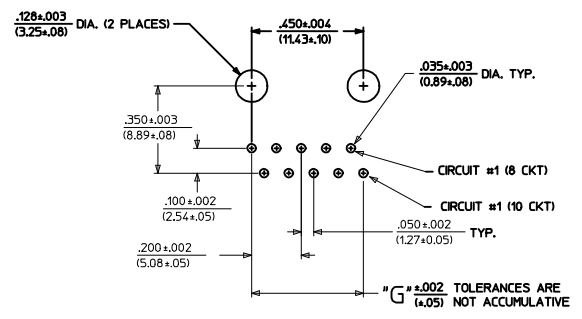
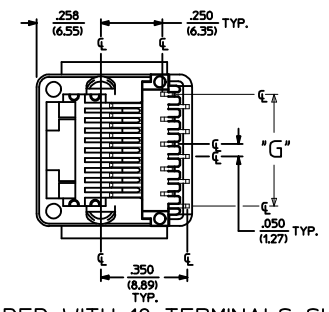
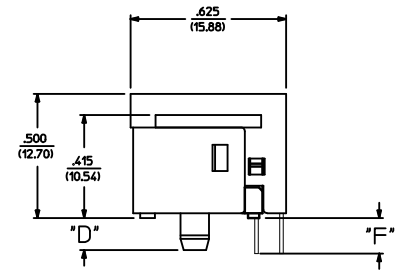
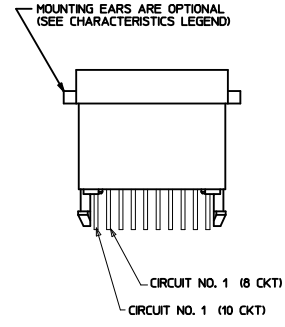
- NOTES:
- 1) MATERIALS: HOUSING- POLYESTER, GLASS FILLED, UL94V-0, COLOR - BLACK  
TERMINALS- PHOSPHOR BRONZE ALLOY, .015/(0.38) THICK.
  - 2) TERMINAL PLATING:  
SELECT GOLD IN CONTACT AREA: 50 MICRONS MIN.  
\*SELECT TIN IN PC TAIL AREA: 100 MICRONS MIN.  
WITH OVERALL NICKEL UNDERPLATE: 50 MICRONS MIN.  
\*THE PRIMARY SHIPPING CARTON WILL BE LABELED "COMPLIANT TO ROHS DIRECTIVE 2002/95/EC AND ELV ANNEX II OF DIRECTIVE 2000/53/EC". CARTONS WITHOUT THIS LABEL MAY CONTAIN PRODUCT WITH TIN-LEAD IN THE PC TAIL.
  - 3) THESE MODULAR JACKS MEET THE PERFORMANCE REQUIREMENTS OF MOLEX PRODUCT SPECIFICATION PS-42878.
  - 4) CONNECTORS ARE SHIPPED IN THERMOFORMED TRAYS, PER PACKAGING SPECIFICATION PK-42878-492.
  - 5) ALL JACKS ARE DESIGNED TO BE USED WITH .062/(1.57) OR .125/(3.18) THICK P.C. BOARDS.
  - 6) ALL JACKS CONFORM TO AND ACCEPT PLUGS WHICH CONFORM TO FCC RULES AND REGULATIONS PART 68, SUBPART E.
  - 7) ALL JACKS MUST BE CAPABLE OF FITTING INTO MOLEX GAGE G-42410 (CONNECTOR SIZE 8).
  - 8) SEE SHEETS 1 & 4 FOR CONNECTOR SIZE 4.
  - 9) SEE SHEETS 2 & 4 FOR CONNECTOR SIZE 6.
  - 10) ENGRAVED NUMBERS ON HOUSING BODY ARE FOR MOLDING IDENTIFICATION ONLY, THEY ARE NOT INTENDED FOR ASSEMBLY IDENTIFICATION PURPOSES.
  - 11) THIS PART CONFORMS TO CLASS B REQUIREMENTS OF COSMETIC SPECIFICATION PS-45499-002 WITH THE EXCEPTION OF THE SINK WHICH CONFORMS TO CLASS C REQUIREMENTS.

P.C. BOARD THICKNESS	DIM. "D" (MTG. PEGS)	DIM. "F" (P.C. TAILS)
.062/(1.57)	.128 (3.25)	.120 +.015/-0.25 (3.05 +.38/-6.3)
.125/(3.18)	.191 (4.85)	.205 +.015/-0.25 (5.21 +.38/-6.3)

CONNECTOR SIZE	CIRCUIT SIZE	DIM. "G"
8	10	.450 (11.43)
8	8	.350 (8.89)
8	6	.250 (6.35)
8	4	.150 (3.81)
8	2	.050 (1.27)



PANEL CUT-OUT FOR CONNECTOR SIZE 8



P.C. BOARD LAYOUT FOR CONNECTOR SIZE 8  
10 CIRCUIT SHOWN

SIZE 8 MODULAR JACK LOADED WITH 10 TERMINALS SHOWN ABOVE

ADD COSMETIC SPEC EC NO. UCP2009-1267 H2	DRAWN: JKL/STENLER 2008/12/01 CHKD: BEL 2008/12/02 APPR: FSW/TH 2008/12/02	QUALITY SYMBOLS =0 =0	GENERAL TOLERANCES (UNLESS SPECIFIED)		DIMENSION STYLE		SCALE		DESIGN UNITS		THIRD ANGLE PROJECTION	
			mm	INCH	IN/MM	DATE	INCH	INCH	DATE	DATE	DATE	DATE
			4 PLACES	± .010	BAP	1992/04/09	1:1		INCH		ASSEMBLY, VERTICAL LOW PROFILE MODULAR JACKS (CONNECTOR SIZE 8)	
			3 PLACES	± .025	BAP	1992/04/09					MOLEX INCORPORATED	
			2 PLACES	± .050	BAP	1992/04/09					MOLEX INCORPORATED	
			1 PLACE	± .125	RAS	1992/04/09					MOLEX INCORPORATED	
			ANGULAR ±1/2°									
			DRAFT WHERE APPLICABLE MUST REMAIN WITHIN DIMENSIONS		SEE SHEET 5		MATERIAL NO.		DOCUMENT NO.		SHEET NO.	
					D		SDA-42878-****		3 OF 5		THIS DRAWING CONTAINS INFORMATION THAT IS PROPRIETARY TO MOLEX INCORPORATED AND SHOULD NOT BE USED WITHOUT WRITTEN PERMISSION	

*X=NOT TOOLED	PART CHARACTERISTICS					*X=NOT TOOLED	PART CHARACTERISTICS					*X=NOT TOOLED	PART CHARACTERISTICS				
	ASSEMBLY ITEM NUMBER	EXTERNAL CONNECTOR SIZE	NUMBER OF POSITIONS	P. C. BOARD THICKNESS	POLARIZATION OPTION		MOUNTING EARS OPTION	ASSEMBLY ITEM NUMBER	EXTERNAL CONNECTOR SIZE	NUMBER OF POSITIONS	BOARD THICKNESS/P.C. TAIL OPTION		POLARIZATION OPTION	MOUNTING EARS OPTION	ASSEMBLY ITEM NUMBER	EXTERNAL CONNECTOR SIZE	NUMBER OF POSITIONS
42878-8408	8 POS. BODY	8	.062	NO	YES	42878-8984	8 POS. BODY	4	.062	NO	YES	42878-1001	8 POS. BODY	10	.062	NO	YES
42878-8410	↑	↑	↑	NO	NO	42878-8986	↑	↑	↑	NO	NO	42878-1003	↑	↑	.062	NO	NO
42878-8456	↓	↓	↓	YES	YES	42878-9032	↓	↓	↓	YES	YES	42878-1025	↓	↓	.125	NO	YES
42878-8458			.062	YES	NO	42878-9034			.062	YES	NO	42878-1027				NO	NO
42878-8504			.125	NO	YES	42878-9080			.125	NO	YES	42878-1037	↓	↓	↓	YES	YES
42878-8506			↑	NO	NO	42878-9082			↑	NO	NO	42878-1039	8 POS. BODY	10	.125	YES	NO
42878-8552		↓	↑	YES	YES	42878-9128	↓	↓	↓	YES	YES						
42878-8554		8	.125	YES	NO	42878-9130		4	.125	YES	NO						
42878-8696		6	.062	NO	YES	42878-9272		2	.062	NO	YES						
42878-8698		↑	↑	NO	NO	42878-9274		↑	↑	NO	NO						
42878-8744		↓	↓	YES	YES	42878-9320		↓	↓	YES	YES						
42878-8746			.062	YES	NO	42878-9322			.062	YES	NO						
42878-8792			.125	NO	YES	42878-9368			.125	NO	YES						
42878-8794		↑	↑	NO	NO	42878-9370		↑	↑	NO	NO						
42878-8840		↓	↓	YES	YES	42878-9416		↓	↓	YES	YES						
42878-8842	8 POS. BODY	6	.125	YES	NO	42878-9418	8 POS. BODY	2	.125	YES	NO						

CHARACTERISTICS LEGEND	
EXTERNAL CONNECTOR BODY DIMENSIONS: AVAILABLE IN 4, 6, AND 8 POSITION BODY	
NUMBER OF CONTACT POSITIONS: CONNECTOR SIZE 4 ACCOMMODATES 2, OR 4 TERMINALS, CONNECTOR SIZE 6 ACCOMMODATES 2, 4, OR 6 TERMINALS, CONNECTOR SIZE 8 ACCOMMODATES 2, 4, 6, 8, OR 10 TERMINALS	
POLARIZATION OPTION: (AVAILABLE ON CONNECTOR SIZE 8 ONLY) "NO" - WITHOUT KEYING SLOT "YES" - WITH KEYING SLOT	
MOUNTING EARS OPTION: "YES" - PART WITH MOUNTING EARS "NO" - PART WITHOUT MOUNTING EARS	
(SEE SHEET 3 FOR PART DESCRIPTIONS AND DIMENSIONS)	

SEE SHEET ONE EC NO: UCP2004-667 DRW:LSCHMIDT 2004/03/03 CHK:LSCHMIDT 2004/03/03 APPR:ESMITH 2004/03/03	QUALITY SYMBOLS	GENERAL TOLERANCES (UNLESS SPECIFIED)		SCALE	DESIGN UNITS	THIRD ANGLE PROJECTION	REVISE ON CAD ONLY	
	▽ 0	mm	INCH	---	INCH			
	▽ 0	4 PLACES ± ---	3 PLACES ± ---	2 PLACES ± ---	1 PLACE ± ---	IN/MM	TITLE	ASSEMBLY, VERTICAL LOW PROFILE MODULAR JACKS (CONNECTOR SIZE 8)
		ANGULAR ±1/2°		DRAFT WHERE APPLICABLE		DRAWN BY DATE BAP 1992/04/09		MATERIAL NO. (DOCUMENT NO.) SEE CHART SDA-42878-****
	MUST REMAIN WITHIN DIMENSIONS		APPROVED BY DATE RAS 1992/04/09		SHEET NO. 5 OF 5			
THIS DRAWING CONTAINS INFORMATION THAT IS PROPRIETARY TO MOLEX INCORPORATED AND SHOULD NOT BE USED WITHOUT WRITTEN PERMISSION								