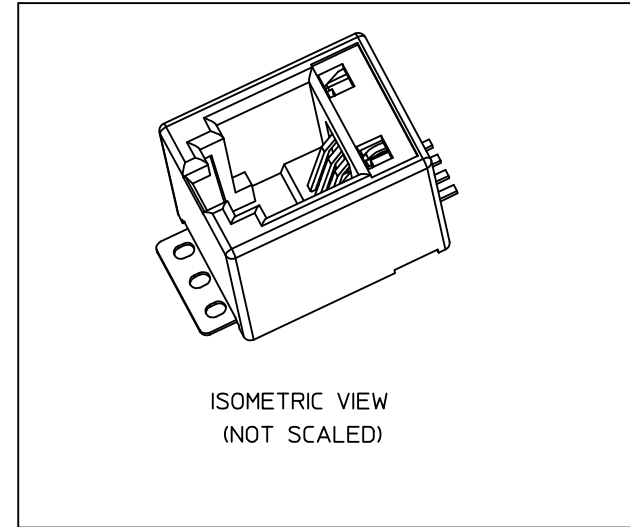
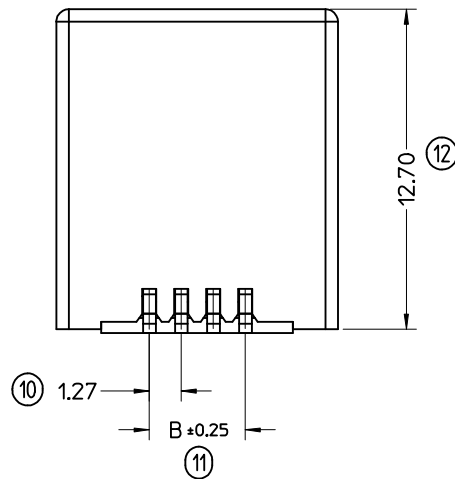


**NOTES:**

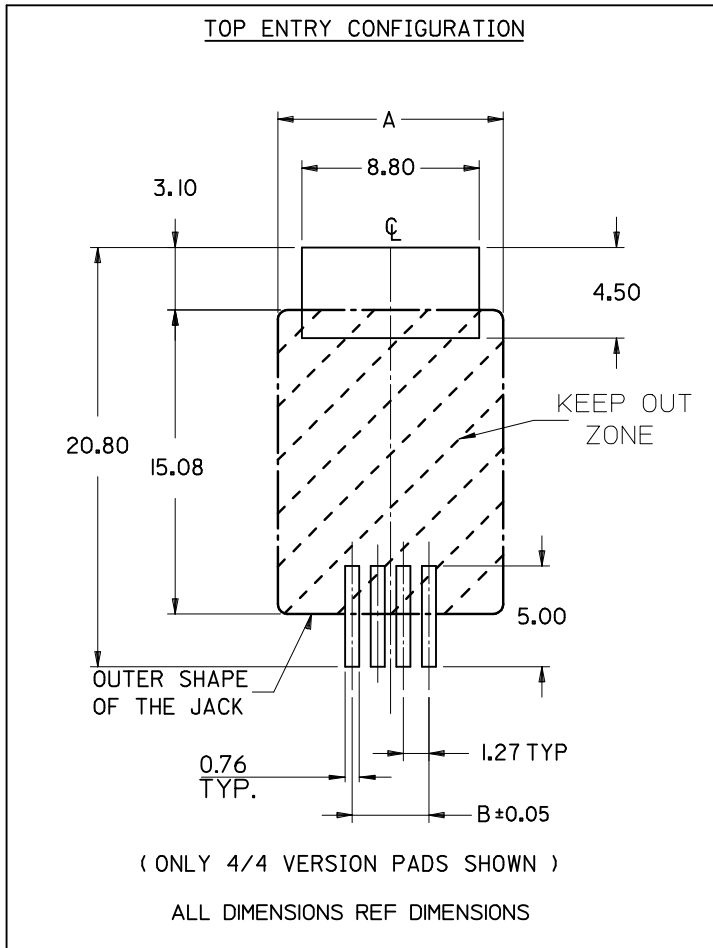
- 1- MATERIAL:  
 -HOUSING: LCP GLASS FILLED UL 94-V0, COLOUR BLACK.  
 -TERMINAL: COPPER ALLOY PLATED WITH:  
 BASE FINISH: NICKEL  
 CONTACT SURFACE FINISH:  
 GOLD,  
 OR  
 GOLD FLASH OVER PALLADIUM NICKEL.  
 EXCEEDS PRODUCT REQUIREMENTS BASED ON PS-85513-002
- 2- JACK FOR MATING WITH IEC 60603-7 AND TIA-1096-A PLUGS (MOLEX 90075 SERIES).
- 3- PRODUCT SPECIFICATION: PS-85513-002.
- 4- PACKAGING SPECIFICATION (SEE CHART SHEET2):  
 PK-85513-001 SHEET 3 (BLISTER ON REEL 13")  
 PK-85133-001 SHEET 1 (BLISTER ON REEL 15")  
 PK-85513-001 SHEET 2 (BLISTER ON REEL 22")
- 5- FLAT SURFACE ON BOTH SIDES FOR PICK AND PLACE PURPOSE
- 6- COPLANARITY OF LEADS AND TABS: 0.10 MAX
- 7- SEE RECOMMENDED PCB LAYOUT ON SHEET 2
- 8- FOR DRAWING PURPOSE, ONLY 4/4 VERSION SHOWN.
- 9- MANUFACTURING ID CAN BE EITHER MXF, MG OR MXI.
- 10- APPLICATION SPEC AS-85513-001
- 11- OPTIONAL PICK&PLACE TAPE

LAST INSPECTION No: 14



REMOVED OPTION UPDATE DIM C EC NO: IPG2015-0192 DRWN: JKEARNS 2014/05/06 CHKD: APPR: STGRIFFIN 2014/08/29	DESCRIPTION REV	QUALITY SYMBOLS	GENERAL TOLERANCES (UNLESS SPECIFIED)	DIMENSION STYLE	SCALE	DESIGN UNITS	THIRD ANGLE PROJECTION																
		$\nabla = 0$ $\nabla C = 0$	<table border="1"> <thead> <tr> <th></th> <th>mm</th> <th>INCH</th> </tr> </thead> <tbody> <tr> <td>4 PLACES</td> <td>± ---</td> <td>± ---</td> </tr> <tr> <td>3 PLACES</td> <td>± ---</td> <td>± ---</td> </tr> <tr> <td>2 PLACES</td> <td>± 0.15</td> <td>± ---</td> </tr> <tr> <td>1 PLACE</td> <td>± 0.25</td> <td>± ---</td> </tr> </tbody> </table>		mm	INCH	4 PLACES	± ---	± ---	3 PLACES	± ---	± ---	2 PLACES	± 0.15	± ---	1 PLACE	± 0.25	± ---	MM ONLY	5:1	METRIC		
			mm	INCH																			
		4 PLACES	± ---	± ---																			
3 PLACES	± ---	± ---																					
2 PLACES	± 0.15	± ---																					
1 PLACE	± 0.25	± ---																					
	<table border="1"> <thead> <tr> <th></th> <th>mm</th> <th>INCH</th> </tr> </thead> <tbody> <tr> <td>ANGULAR</td> <td>± 2 °</td> <td></td> </tr> </tbody> </table>		mm	INCH	ANGULAR	± 2 °		<table border="1"> <tr> <td>DRAWN BY</td> <td>DATE</td> <td>TITLE</td> </tr> <tr> <td>DBYRNES</td> <td>2006/08/17</td> <td rowspan="4">           LOW PROFILE TOP ENTRY            TRUE SMT JACK WITH P&amp;P            SURFACE (SHORT VERSION)    MOLEX INCORPORATED         </td> </tr> <tr> <td>CHECKED BY</td> <td>DATE</td> </tr> <tr> <td>APPROVED BY</td> <td>DATE</td> </tr> <tr> <td>EOMAHONY</td> <td>2006/08/17</td> </tr> </table>	DRAWN BY	DATE	TITLE	DBYRNES	2006/08/17	LOW PROFILE TOP ENTRY TRUE SMT JACK WITH P&P SURFACE (SHORT VERSION)  MOLEX INCORPORATED	CHECKED BY	DATE	APPROVED BY	DATE	EOMAHONY	2006/08/17	MATERIAL NO.	DOCUMENT NO.	SHEET NO.
	mm	INCH																					
ANGULAR	± 2 °																						
DRAWN BY	DATE	TITLE																					
DBYRNES	2006/08/17	LOW PROFILE TOP ENTRY TRUE SMT JACK WITH P&P SURFACE (SHORT VERSION)  MOLEX INCORPORATED																					
CHECKED BY	DATE																						
APPROVED BY	DATE																						
EOMAHONY	2006/08/17																						
			SEE SHEET 2	SD-85513-010	1 OF 2																		

RECOMMENDED PCB LAYOUTS  
(SEE FROM COMPONENT SIDE)



PART No.	PICK&PLACE TAPE	HOUSING SIZE	LOADED CKTS	TOOLED	A	B	C	PACKAGING	PACKAGING SPEC.	
85513-5013	NO	8	8	YES	15.24	8.89	14.40	BLISTER ON REEL 13'	PK-85513-001 SHEET 3	
85513-5113	YES			YES						+2
85513-5001	NO			YES						-4
85513-5009	NO			YES						
85513-5109	YES	6	6	YES	13.21	6.35	12.40	BLISTER ON REEL 13'	PK-85513-001 SHEET 3	
85513-5014	NO			YES						+2
85513-5114	YES			YES						-4
85513-5002	NO			YES						
85513-5010	NO	6	4	YES	13.21	3.81	12.40	BLISTER ON REEL 15'	PK-85513-001 SHEET 1	
85513-5110	YES			YES						+2
85513-5015	NO			YES						-4
85513-5115	YES			YES						
85513-5003	NO	4	4	YES	11.18	3.81	10.40	BLISTER ON REEL 22'	PK-85513-001 SHEET 2	
85513-5011	NO			YES						+4
85513-5111	YES			YES						-2
85513-5016	NO			YES						
85513-5116	YES	4	4	YES	11.18	3.81	10.40	BLISTER ON REEL 15'	PK-85513-001 SHEET 1	
85513-5004	NO			YES						+4
85513-5012	NO			YES						-2
85513-5112	YES			YES						

<b>SEE SHEET 1</b> EC NO: IPG2015-0192 DRWN: JKEARNS 2014/05/06 CHKD: APPR: STORIFFIN 2014/08/29	QUALITY SYMBOLS ▽=0 ◻=0	GENERAL TOLERANCES (UNLESS SPECIFIED) mm INCH 4 PLACES ± --- ± --- 3 PLACES ± --- ± --- 2 PLACES ± 0.15 ± --- 1 PLACE ± 0.25 ± --- ANGULAR ± 2 °	DIMENSION STYLE MM ONLY DRAWN BY: DBYRNES DATE: 2006/08/17 CHECKED BY: EOMAHONY DATE: 2006/08/17 APPROVED BY: EOMAHONY DATE: 2006/08/17	SCALE: 1:1 DESIGN UNITS: METRIC THIRD ANGLE PROJECTION	TITLE: LOW PROFILE TOP ENTRY TRUE SMT JACK WITH P&P SURFACE(SHORT VERSION) MOLEX INCORPORATED DOCUMENT NO. SD-85513-010 SHEET NO. 2 OF 2
	DRAFT WHERE APPLICABLE MUST REMAIN WITHIN DIMENSIONS	SEE CHART	THIS DRAWING CONTAINS INFORMATION THAT IS PROPRIETARY TO MOLEX INCORPORATED AND SHOULD NOT BE USED WITHOUT WRITTEN PERMISSION		