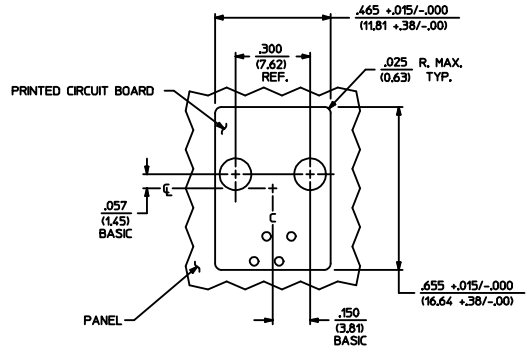
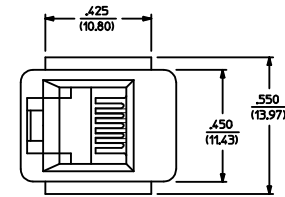


NOTES:

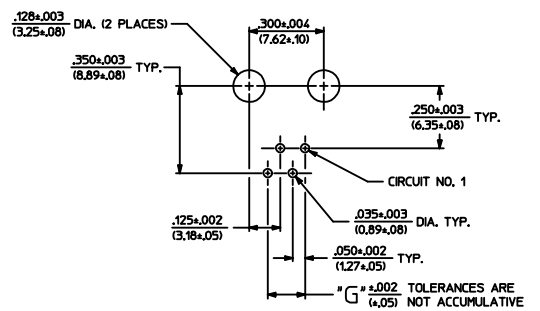
- 1) MATERIALS: HOUSING PARTS ARE MADE OF POLYESTER, RATED UL. 94 V-0, COLOR IS BLACK; TERMINALS ARE .015/(0.38) THICK PHOSPHOR BRONZE.
- 2) TERMINAL PLATING OPTIONS PER ES-88-***:
 A - SELECT GOLD IN CONTACT AREA: 50 MICRONS MIN.
 SELECT MATTE TIN IN PC TAIL AREA: 100 MICRONS MIN.
 WITH OVERALL NICKEL UNDERPLATE: 50 MICRONS MIN.
- 3) THESE MODULAR JACKS MEET THE PERFORMANCE REQUIREMENTS OF MOLEX PRODUCT SPECIFICATION PS-42410.
- 4) CONNECTORS ARE TO BE PACKED IN THERMOFORMED TRAYS, PER PACKAGING SPECIFICATION PK-42410-492.
- 5) ALL JACKS ARE DESIGNED TO BE USED WITH .062/(1.57) OR .125/(3.18) THICK P.C. BOARDS.
- 6) ALL JACKS CONFORM TO AND ACCEPT PLUGS WHICH CONFORM TO FCC RULES AND REGULATIONS PART 68, SUBPART F, WHEN PLATED WITH 50 MICRONS GOLD.
- 7) ALL JACKS MUST BE CAPABLE OF FITTING INTO MOLEX GAGE G-42410 (CONNECTOR SIZE 4).
- 8) SEE SHEETS 2 & 4 FOR CONNECTOR SIZE 6.
- 9) SEE SHEETS 3 & 4 FOR CONNECTOR SIZE 8.
- 10) SEE SHEET 4 FOR ASSEMBLY ITEM NUMBERS.
- 11) PART CONFORMS TO CLASS "B" REQUIREMENTS OF COSMETIC SPECIFICATION PS-45499-002.
- 12) ENGRAVED NUMBERS ON HOUSING BODY ARE FOR MOLDING IDENTIFICATION ONLY. THEY ARE NOT INTENDED FOR ASSEMBLY IDENTIFICATION PURPOSES.
- 13) ALL UNTOLERANCED DIMENSIONS ARE SHOWN FOR REFERENCE ONLY.

P.C. BOARD THICKNESS	DIM. "D" (MTG. PEGS)	DIM. "F" (P.C. TAILS)
0.062"	.128 (3.25)	.120 +.015/-0.025 (3.05 +.38/-0.63)
0.125"	.191 (4.85)	.205 +.015/-0.025 (5.21 +.38/-0.63)

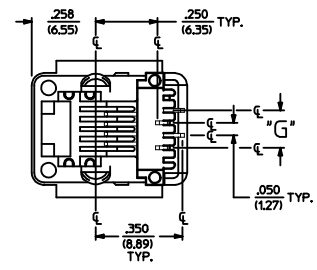
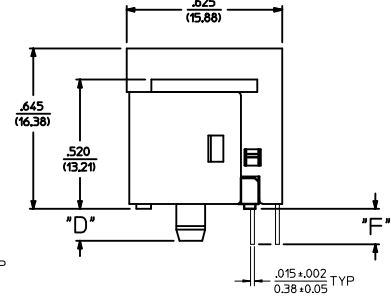
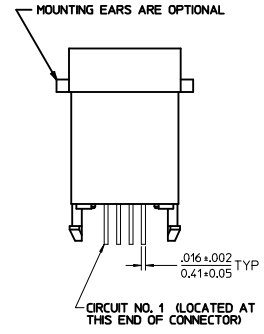
CONNECTOR SIZE	CIRCUIT SIZE	DIM. "G"
4	4	.150 (3.81)
4	2	.050 (1.27)



PANEL CUT-OUT FOR CONNECTOR SIZE 4



P.C. BOARD LAYOUT FOR CONNECTOR SIZE 4
VIEWED FROM COMPONENT SIDE



SIZE 4 MODULAR JACK LOADED WITH 4 TERMINALS SHOWN ABOVE
(SEE SHEET 4 FOR PART NUMBER AVAILABILITY)

LABEL PCB LAYOUT ELEC NO: UCP2015-2536 DRAWN BY: 2015/02/24 CHKD: BELL APPR: FSMITH 2015/03/24	QUALITY SYMBOLS ∇=0 ∇=0 ∇=0	GENERAL TOLERANCES (UNLESS SPECIFIED) mm INCH 4 PLACES ±.010 3 PLACES ±.010 2 PLACES ±.025 1 PLACE ±.050 0 PLACE ±.100	DIMENSION STYLE IN/MM SCALE 4:1 DESIGN UNITS INCH	DATE 1990/10/12 DATE 1990/10/12 DATE 2012/02/14	TITLE ASSEMBLY; VERTICAL MODULAR JACKS
		ANGULAR ±1/2° DRAFT WHERE APPLICABLE MUST REMAIN WITHIN DIMENSIONS	MATERIAL NO. SEE SHEET 4 SIZE D	DOCUMENT NO. SDA-42410-****	SHEET NO. 1 OF 4

molex

THIS DRAWING CONTAINS INFORMATION THAT IS PROPRIETARY TO MOLEX INCORPORATED AND SHOULD NOT BE USED WITHOUT WRITTEN PERMISSION

10

8

7

6

5

4

3

2

1

∩

∪

molex