

MODULAR JACK CHARACTERISTICS LEGEND

EXTERNAL CONNECTOR BODY DIMENSIONS: (SEE NOTES 8 AND 9)
 JACKS ARE AVAILABLE IN STANDARD 4, 6, AND 8 POSITION BODY SIZES

NUMBER OF CONTACT POSITIONS:
 CONNECTOR SIZE 4 CAN ACCOMMODATE 2 OR 4 TERMINALS,
 CONNECTOR SIZE 6 CAN ACCOMMODATE 2, 4, OR 6 TERMINALS,
 CONNECTOR SIZE 8 CAN ACCOMMODATE 2, 4, 6, 8, OR 10 TERMINALS

POLARIZATION OPTION:
 "NO"= JACKS WITHOUT KEYING SLOT
 "YES"= JACKS WITH KEYING SLOT (AVAILABLE ON CONNECTOR SIZE 8 ONLY)

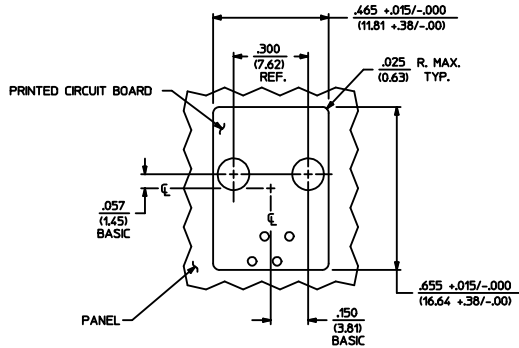
MOUNTING EARS OPTION:
 "YES"= JACKS WITH MOUNTING EARS
 "NO"= JACKS WITHOUT MOUNTING EARS

NOTES:

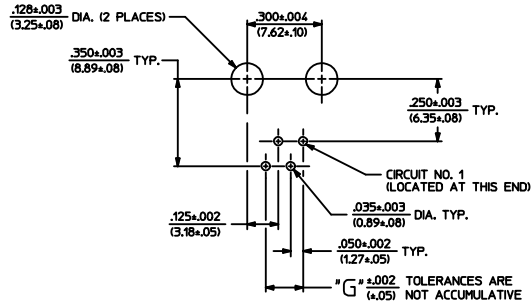
- 1) MATERIALS: HOUSING- POLYESTER, GLASS FILLED, UL94V-0, COLOR - BLACK
 TERMINALS- PHOSPHOR BRONZE ALLOY, .015/(0.38) THICK.
- 2) TERMINAL PLATING:
 *SELECT GOLD IN CONTACT AREA: 50 MICRONS MIN.
 *SELECT TIN IN PC TAIL AREA: 100 MICRONS MIN.
 WITH OVERALL NICKEL UNDERPLATE: 50 MICRONS MIN.
 *THE PRIMARY SHIPPING CARTON WILL BE LABELED "COMPLIANT TO ROHS DIRECTIVE 2002/95/EC AND ELV ANNEX II OF DIRECTIVE 2000/53/EC" CARTONS WITHOUT THIS LABEL MAY CONTAIN PRODUCT WITH TIN-LEAD IN THE PC TAIL.
- 3) THESE MODULAR JACKS MEET THE PERFORMANCE REQUIREMENTS OF MOLEX PRODUCT SPECIFICATION PS-42878.
- 4) CONNECTORS ARE SHIPPED IN THERMOFORMED TRAYS, PER PACKAGING SPECIFICATION PK-42878-492.
- 5) ALL JACKS ARE DESIGNED TO BE USED WITH .062/(1.57) OR .125/(3.18) THICK P.C. BOARDS.
- 6) ALL JACKS CONFORM TO AND ACCEPT PLUGS WHICH CONFORM TO FCC RULES AND REGULATIONS PART 68, SUBPART F.
- 7) ALL JACKS MUST BE CAPABLE OF FITTING INTO MOLEX GAGE G-42410 (CONNECTOR SIZE 4).
- 8) SEE SHEETS 2 & 4 FOR CONNECTOR SIZE 6.
- 9) SEE SHEETS 3 & 5 FOR CONNECTOR SIZE 8.
- 10) ENGRAVED NUMBERS ON HOUSING BODY ARE FOR MOLDING IDENTIFICATION ONLY, THEY ARE NOT INTENDED FOR ASSEMBLY IDENTIFICATION PURPOSES.
- 11) THIS PART CONFORMS TO CLASS B REQUIREMENTS OF COSMETIC SPECIFICATION PS-45499-002 WITH THE EXCEPTION OF THE SINK WHICH MEETS CLASS C REQUIREMENTS.

| P. C. BOARD THICKNESS | DIM. "D" (MTG. PEGS) | DIM. "F" (P.C. TAILS) |
|-----------------------|----------------------|---|
| .062(1.57) | .128 (3.25) | .120 \pm .015/-0.025 (3.05 \pm .38/-63) |
| .125(3.18) | .191 (4.85) | .205 \pm .015/-0.025 (5.21 \pm .38/-63) |

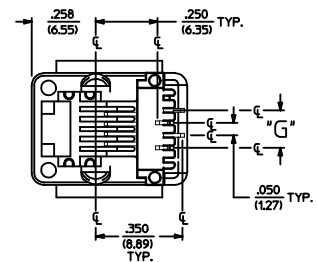
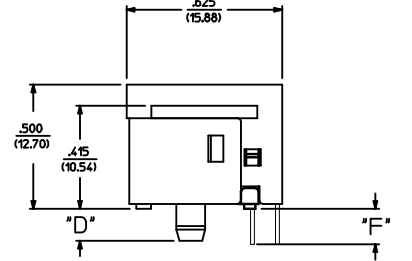
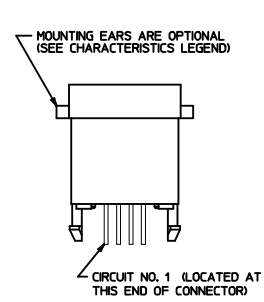
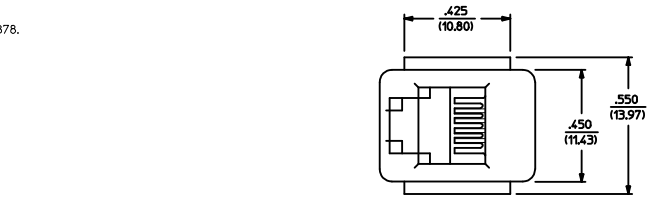
| CONNECTOR SIZE | CIRCUIT SIZE | DIM. "G" |
|----------------|--------------|-------------|
| 4 | 4 | .150 (3.81) |
| 4 | 2 | .050 (1.27) |



PANEL CUT-OUT FOR CONNECTOR SIZE 4



P.C. BOARD LAYOUT FOR CONNECTOR SIZE 4



SIZE 4 MODULAR JACK LOADED WITH 4 TERMINALS SHOWN ABOVE
 (SEE SHEET 4 FOR PART NUMBER AVAILABILITY)

| ADD COSMETIC SPEC EC NO. UCP2009-1267 DRAWN:JKLOS/EMER 2008/12/01 CHKD:JBELL 2008/12/02 APPR:FSM/TH 2008/12/02 | QUALITY SYMBOLS =0 =0 | GENERAL TOLERANCES (UNLESS SPECIFIED) | | DIMENSION STYLE | | SCALE 1:1 | DESIGN UNITS INCH | THIRD ANGLE PROJECTION |
|--|-----------------------------|--|--------|-----------------------------|------------|---|--|------------------------|
| | | mm | INCH | IN/MM | DATE | | | |
| REV H2 | DESCRIPTION | 4 PLACES | ± .010 | BAP | 1990/10/12 | TITLE | ASSEMBLY, VERTICAL LOW PROFILE, MODULAR JACKS (CONNECTOR SIZE 4) | SHEET NO. 1 OF 5 |
| | | 3 PLACES | ± .010 | BAP | 1990/10/12 | | | |
| | | 2 PLACES | ± 0.25 | BAP | 1990/10/12 | | | |
| | | 1 PLACE | ± .010 | BAP | 1990/10/12 | | | |
| | | ANGULAR ±1/2° | | RAS | 1990/10/12 | | | |
| | | DRAFT WHERE APPLICABLE MUST REMAIN WITHIN DIMENSIONS | | SEE SHEET 4 | | MOLEX INCORPORATED | | |
| | | | | MATERIAL NO. SDA-42878-**** | | DOCUMENT NO. | | |
| | | | | SIZE D | | THIS DRAWING CONTAINS INFORMATION THAT IS PROPRIETARY TO MOLEX INCORPORATED AND SHOULD NOT BE USED WITHOUT WRITTEN PERMISSION | | |

| | |
|----|-----|
| 5 | H |
| 4 | H |
| 3 | H2 |
| 2 | H2 |
| 1 | H2 |
| SH | REV |

