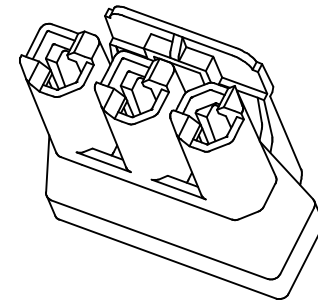
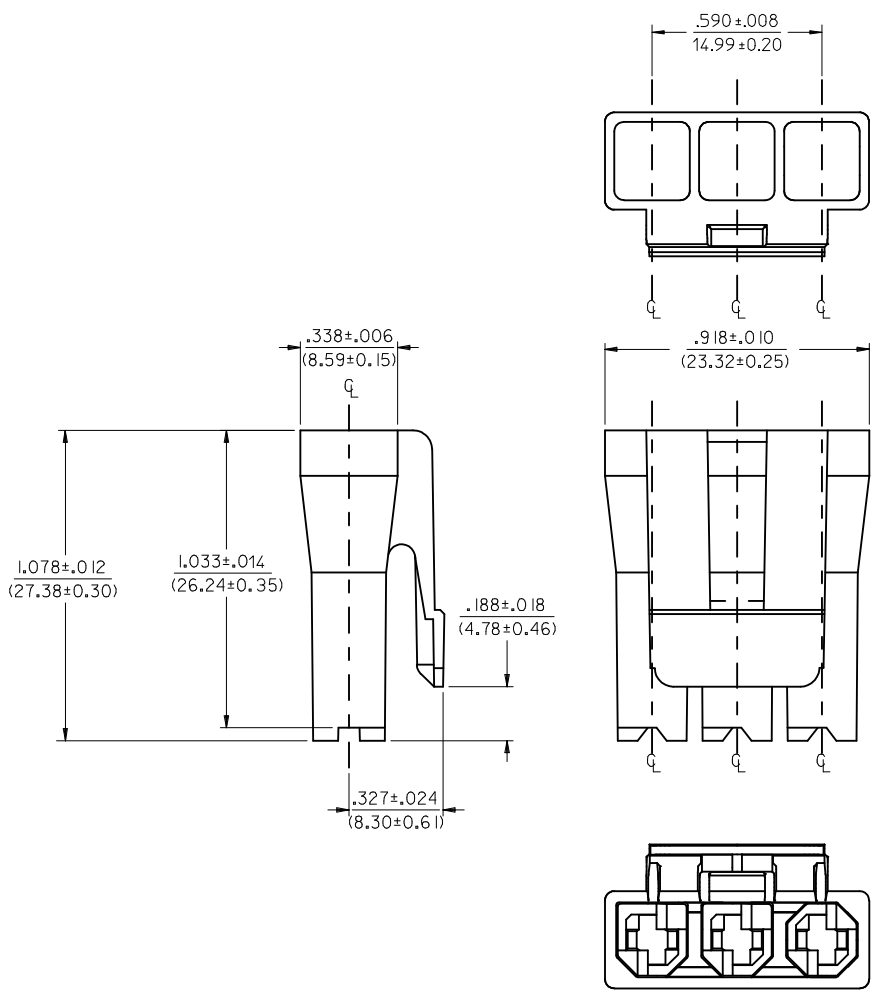


	MATERIAL NUMBER	MATERIAL TYPE	COLOR
X	43335-1013	A	NATURAL (TRANSLUCENT WHITE)
	43335-3013	A	RED
	43335-2013	B	BLACK
	43335-7013	D	BLACK

X = NOT RELEASED TO PRODUCTION



- NOTES:
- MATERIAL: A: NYLON, PA66, UL94V-2, COLOR: SEE CHART
B: UL94V-0, PA66 NYLON,
D: NYLON, UL94V-2, COLOR: BLACK, IEC 60335-1 GLOW WIRE CAPABLE.
 - FINISH: NONE
 - PRODUCT SPECIFICATION: PSX-43335-9999.
 - PACKAGING SPECIFICATION: PK-43335-001.
 - THIS CONNECTOR HOUSING FOR USE WITH 43375-**** TERMINALS.
 - SEE SDES-43335-9003 FOR REQUIREMENTS FOR MATING INTERFACE.
 - PARTS CONFORM TO CLASS 'B' REQUIREMENTS OF COSMETIC SPECIFICATION PS-45499-002 EXCEPT MATERIAL OPTION 'B' MEETS CLASS 'C' REQUIREMENTS FOR SINK AND DISCOLORATION.

CORRECT TOLERANCE EC NO: UCP2014-5424 2014/06/26 DRWN:JDFX CHKD:ANDERSON 2014/06/26 APPR:FSMITH 2014/07/09	QUALITY SYMBOLS ▽=0 ▽=0 ▽=0	GENERAL TOLERANCES (UNLESS SPECIFIED)		DIMENSION STYLE IN/MM		SCALE 3:1	DESIGN UNITS INCH	THIRD ANGLE PROJECTION	
		4 PLACES ± --- ± ---	3 PLACES ± --- ± ---	DRAWN BY BW	DATE 10/30/02	TITLE 3 CKT RECEPTACLE HOUSING .125X.020 FLAT BLADE SYSTEM W/TPA molex			
		2 PLACES ± --- ± ---	1 PLACE ± --- ± ---	CHECKED BY BW	DATE 10/30/02				
		0 PLACE ± --- ± ---		APPROVED BY SF	DATE 10/30/02	MATERIAL NO. SEE CHART	DOCUMENT NO. SD-43335-*013	SHEET NO. 1 OF 1	
C1	DESCRIPTION	ANGULAR ±1/2° DRAFT WHERE APPLICABLE MUST REMAIN WITHIN DIMENSIONS		THIS DRAWING CONTAINS INFORMATION THAT IS PROPRIETARY TO MOLEX INCORPORATED AND SHOULD NOT BE USED WITHOUT WRITTEN PERMISSION					