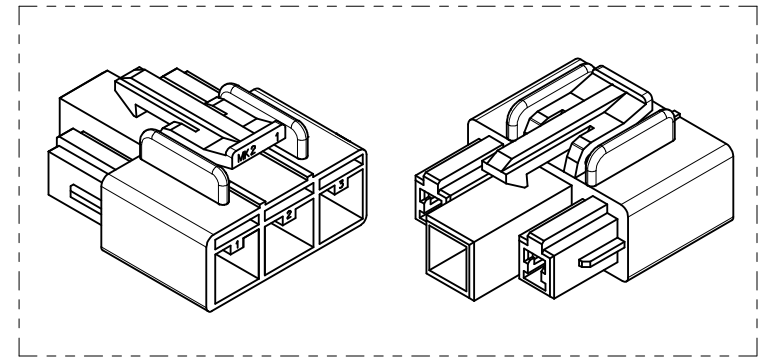
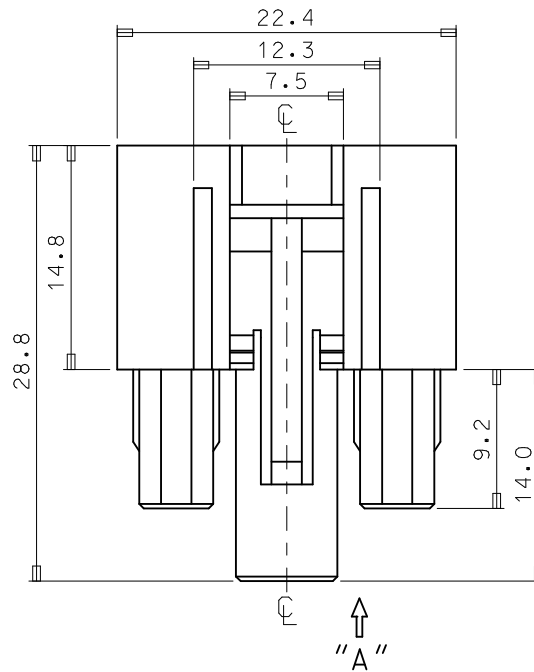
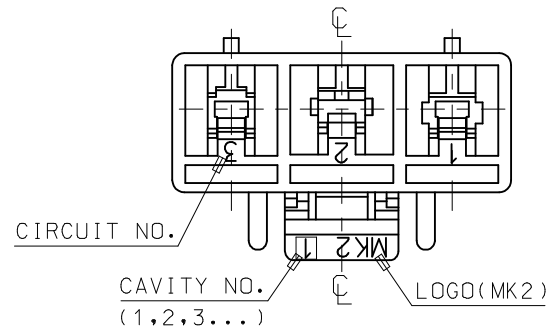
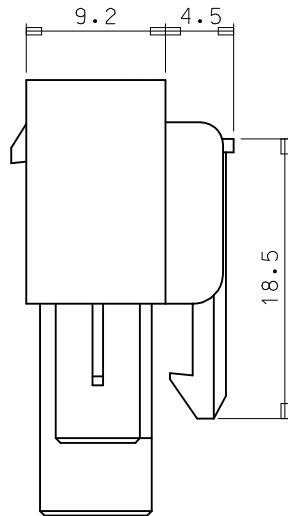


VIEW "A"



NOTES

- MATERIAL · COLOR : SEE TABLE
- MATED HOUSING : 35150-*30*
35150-*31*
35150-039*(T.P.A)
- APPLICABLE TERMINAL : 35746-0*10 (1 CIRCUIT)
35745-0*10 (2 CIRCUIT)
35748-0*10 (3 CIRCUIT)

FINISH	DESCRIPTION	ORDER NO	MATERIAL NO	NO
BLUE COLOR	PET/PC (UL94V-0)	35151-4319	351514319	6
YELLOW COLOR		35151-3319	351513319	5
RED COLOR		35151-2319	351512319	4
NATURAL COLOR	PBT (UL94V-0)	35151-0319	351510319	3
BLUE COLOR		35151-0314	351510314	2
NATURAL COLOR		35151-0310	351510310	1
MATERIAL		PRODUCT		

[TABLE]

REVISED EC NO: KOR2016-0056 DRWN: JSSHIN 2016/02/22 CHKD: SHCHU 2016/02/22 APPR: YSKI M02 2016/03/09	QUALITY SYMBOLS = 0 = 0	GENERAL TOLERANCES (UNLESS SPECIFIED)		DIMENSION STYLE MM ONLY	SCALE 3/1	DESIGN UNITS METRIC	THIRD ANGLE PROJECTION		
		4 PLACES ± --- ± --- 3 PLACES ± --- ± --- 2 PLACES ± --- ± --- 1 PLACE ± 0.3 ± ---	mm INCH ± --- ± --- ± --- ± --- ± --- ± --- ± 0.3 ± ---	DRAWN BY WY. YANG	DATE 1992/11/17	TITLE 7.3 PITCH W/W CONN. FEMALE HOUSING -3P			
		ANGULAR ± 1 °		CHECKED BY BK. CHOI	DATE 1992/11/17	MOLEX INCORPORATED			
		DRAFT WHERE APPLICABLE MUST REMAIN WITHIN DIMENSIONS		APPROVED BY CW. LEE	DATE 1992/11/17	MATERIAL NO. SEE TABLE	DOCUMENT NO. SD-35151-031*	SHEET NO. 1 OF 01	