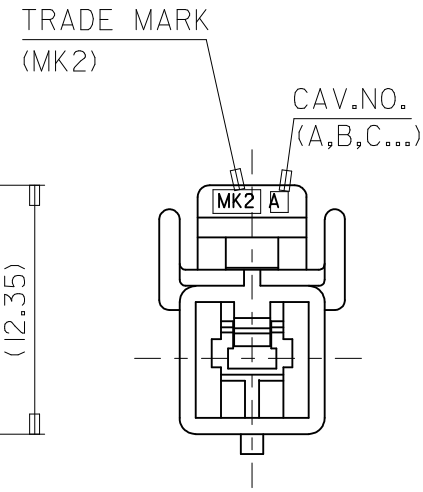
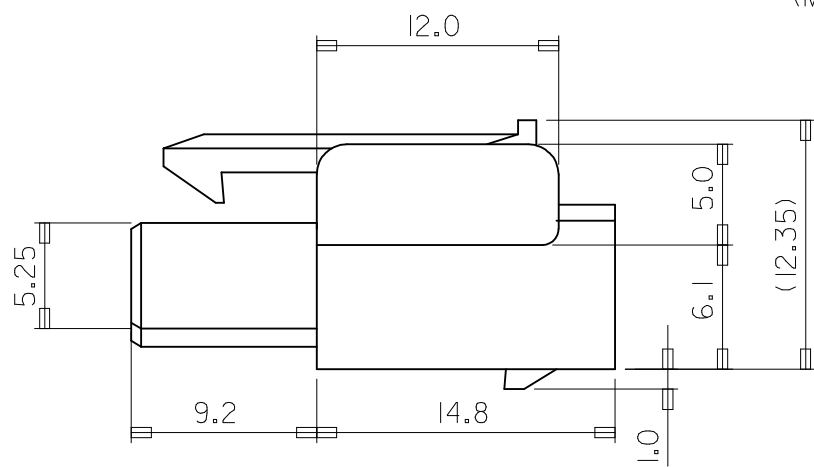
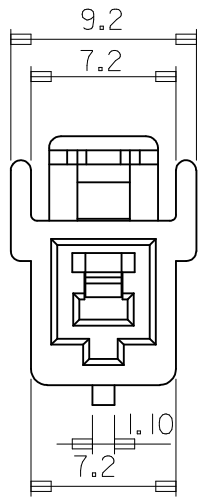
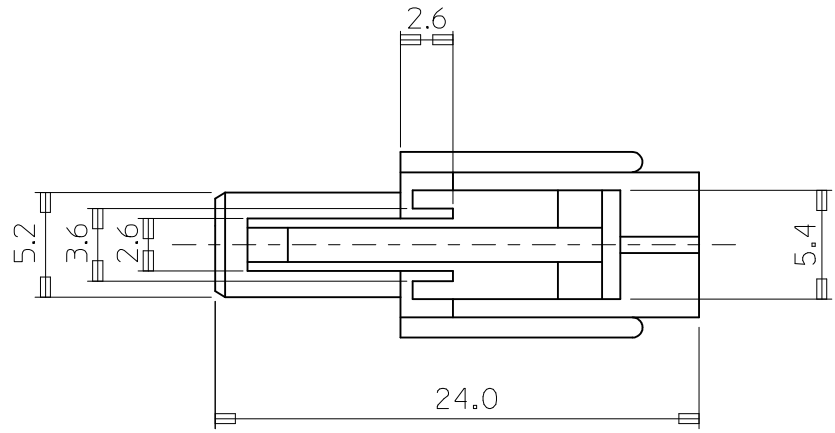


10 9 8 7 6 5 4 3 2 1

- NOTES
1. HOUSING COLOR: SEE TABLE
  2. MATING HOUSING: 35150-0100
  3. APPLICABLE TERMINAL: 35746-0\*10
  4. APPLICABLE TPA: 35182-019\*



NO	PRODUCT		MATERIAL	
	PART NO	MATERIAL NO	COLOR	DESCRIPTION
1	35151-0110	351510110	NATURAL	PBT (UL94V-0)
2	35151-0112	351510112	RED	
3	35151-0114	351510114	BLUE	PBT/PC
4	35151-0119	351510119	NATURAL	

<b>REVISED</b> EC NO: KOR2014-0009 DRWN: JHPARK01 2008/06/30 CHKD: SHCHU APPR: YSKIM02 2013/09/03	QUALITY SYMBOLS ▽=0 ◻=0	GENERAL TOLERANCES (UNLESS SPECIFIED) <table border="1"> <tr> <th></th> <th>mm</th> <th>INCH</th> </tr> <tr> <td>4 PLACES</td> <td>± ---</td> <td>± ---</td> </tr> <tr> <td>3 PLACES</td> <td>± ---</td> <td>± ---</td> </tr> <tr> <td>2 PLACES</td> <td>± ---</td> <td>± ---</td> </tr> <tr> <td>1 PLACE</td> <td>± 0.3</td> <td>± ---</td> </tr> </table>		mm	INCH	4 PLACES	± ---	± ---	3 PLACES	± ---	± ---	2 PLACES	± ---	± ---	1 PLACE	± 0.3	± ---	DIMENSION STYLE <b>MM ONLY</b>	SCALE <b>4/1</b>	DESIGN UNITS <b>METRIC</b>	THIRD ANGLE PROJECTION
		mm	INCH																		
	4 PLACES	± ---	± ---																		
	3 PLACES	± ---	± ---																		
2 PLACES	± ---	± ---																			
1 PLACE	± 0.3	± ---																			
DRAWN BY WY. YANG	DATE 1995/11/08	TITLE .070 W/W PLUG HSG-1P																			
CHECKED BY BK. CHOI	DATE 1995/11/08	MOLEX INCORPORATED																			
APPROVED BY CW. LEE	DATE 1995/11/08	MATERIAL NO. SEE TABLE	DOCUMENT NO. SD-35151-0110	SHEET NO. 1 OF 01																	

DRAFT WHERE APPLICABLE MUST REMAIN WITHIN DIMENSIONS

SIZE A3

THIS DRAWING CONTAINS INFORMATION THAT IS PROPRIETARY TO MOLEX INCORPORATED AND SHOULD NOT BE USED WITHOUT WRITTEN PERMISSION

9 8 7 6 5 4 3 2 1