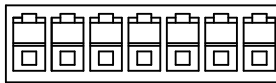
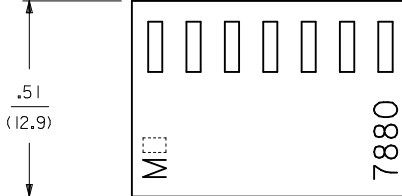
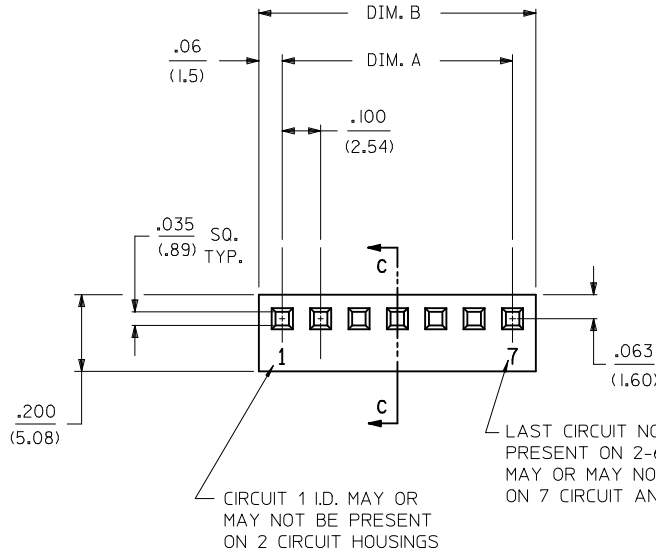
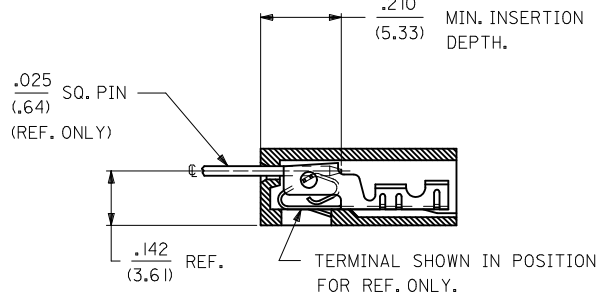


NO. OF CKT'S.	DIM. A	DIM. B
2	.100±.004 (2.54±.10)	.222±.010 (5.64±.25)
3	.200±.004 (5.08±.10)	.322±.010 (8.18±.25)
4	.300±.004 (7.62±.10)	.422±.010 (10.72±.25)
5	.400±.004 (10.16±.10)	.522±.010 (13.26±.25)
6	.500±.005 (12.70±.13)	.622±.010 (15.80±.25)
7	.600±.005 (15.24±.13)	.722±.011 (18.34±.28)
8	.700±.005 (17.78±.13)	.822±.011 (20.88±.28)
9	.800±.006 (20.32±.15)	.922±.011 (23.42±.28)
10	.900±.006 (22.86±.15)	1.022±.012 (25.96±.30)
11	1.000±.006 (25.40±.15)	1.122±.012 (28.50±.30)
12	1.100±.006 (27.94±.15)	1.222±.012 (31.04±.30)
13	1.200±.007 (30.48±.18)	1.322±.012 (33.58±.30)
14	1.300±.007 (33.02±.18)	1.422±.013 (36.12±.33)
15	1.400±.011 (35.56±.28)	1.522±.013 (38.66±.33)
16	1.500±.011 (38.10±.28)	1.622±.013 (41.20±.33)
17	1.600±.011 (40.64±.28)	1.722±.013 (43.74±.33)
18	1.700±.011 (43.18±.28)	1.822±.014 (46.28±.36)



- NOTES:
- MATERIAL: NYLON, UL94V-0, COLOR: WHITE
  - FINISH: N/A
  - PRODUCT SPECIFICATION: PS-7879
  - PACKAGING SPECIFICATION: PK-7880-001.
  - INSERTION AND WITHDRAWAL FORCES RANGE FROM 1.3 - 1.9 LBS/ (5.8 - 8.5N) PER CIRCUIT.
  - DIMENSIONS GIVEN ACROSS CENTERLINES ARE SYMMETRICAL ABOUT THOSE CENTERLINES WITHIN HALF THE TOTAL TOLERANCE.
  - THIS HOUSING FOR USE WITH SHROUDED TERMINAL SERIES 7879.
  - THIS PART CONFORMS TO CLASS B REQUIREMENTS OF COSMETIC SPECIFICATION PS-45499-002.
  - SPECIAL SUPPORT MAY BE REQUIRED FOR PRINTED CIRCUIT BOARDS USED WITH 10 OR MORE CIRCUIT CONNECTORS.



7880 - N \*  
NO. OF CKTS.

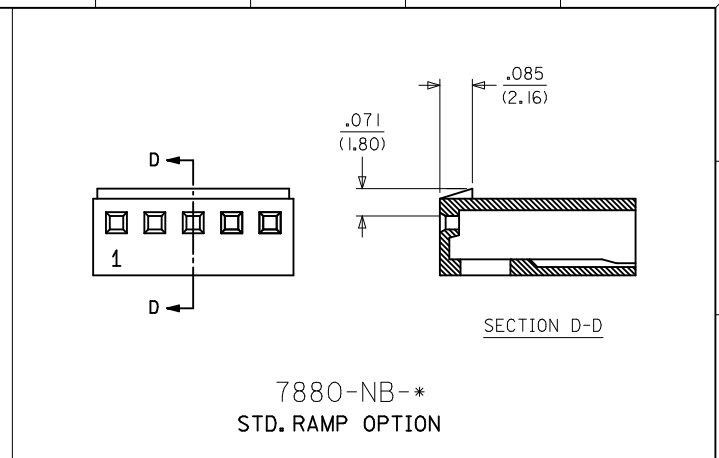
OPTION CODE	
OPT. CODE	RAMP
A	NONE
B	STD. RAMP
C	POL. RAMP

<b>ADD NOTE 4</b> EC NO: UCP2012-2712 DRWN: MASTROH 2012/02/20 CHKD: HKIPPER 2012/02/21 APPR: FSM LTH 2012/03/20	QUALITY SYMBOLS ▽=0 ▽=0 ▽=0	GENERAL TOLERANCES (UNLESS SPECIFIED)	DIMENSION STYLE <b>IN/MM</b>	SCALE <b>4:1</b>	DESIGN UNITS <b>INCH</b>	THIRD ANGLE PROJECTION																
		<table border="1"> <tr><th></th><th>mm</th><th>INCH</th></tr> <tr><td>4 PLACES</td><td>± .010</td><td>± .0004</td></tr> <tr><td>3 PLACES</td><td>± .010</td><td>± .0004</td></tr> <tr><td>2 PLACES</td><td>± 0.25</td><td>± .010</td></tr> <tr><td>1 PLACE</td><td>± 0.35</td><td>± .014</td></tr> </table>		mm	INCH	4 PLACES	± .010	± .0004	3 PLACES	± .010	± .0004	2 PLACES	± 0.25	± .010	1 PLACE	± 0.35	± .014	DRAWN BY GUZIK	DATE 1988/08/24	TITLE <b>.100/(2.54) KK HOUSING FOR SHROUDED CRIMP TERMINAL</b>		
			mm	INCH																		
		4 PLACES	± .010	± .0004																		
3 PLACES	± .010	± .0004																				
2 PLACES	± 0.25	± .010																				
1 PLACE	± 0.35	± .014																				
ANGULAR ±1/2°	CHECKED BY PATEL	DATE 1988/08/24	<b>MOLEX INCORPORATED</b>																			
DRAFT WHERE APPLICABLE MUST REMAIN WITHIN DIMENSIONS	APPROVED BY	DATE	MATERIAL NO. <b>SEE CHART</b>	DOCUMENT NO. <b>SD-7880</b>	SHEET NO. <b>1 OF 2</b>	THIS DRAWING CONTAINS INFORMATION THAT IS PROPRIETARY TO MOLEX INCORPORATED AND SHOULD NOT BE USED WITHOUT WRITTEN PERMISSION																

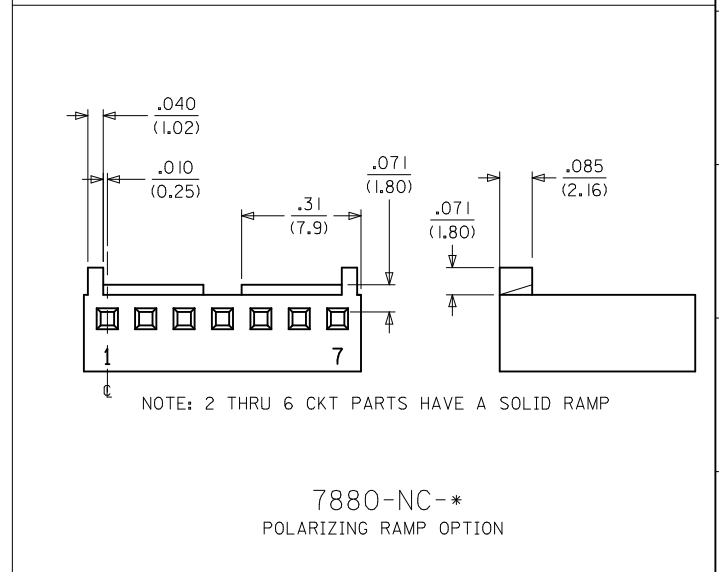
7880-NA-*	
PART NO.	ENG. NO
10-01-2029	7880-2A
10-01-2039	7880-3A
10-01-2049	7880-4A
10-01-2059	7880-5A
10-01-2069	7880-6A
10-01-2079	7880-7A
10-01-2089	7880-8A
10-01-2099	7880-9A
10-01-2109	7880-10A
10-01-2119	7880-11A
10-01-2129	7880-12A
10-01-2139	7880-13A
10-01-2149	7880-14A
10-01-2159	7880-15A
10-01-2169	7880-16A
10-01-2179	7880-17A
10-01-2189	7880-18A

7880-NB-*	
PART NO.	ENG. NO
10-11-2023	7880-2B
10-11-2033	7880-3B
10-11-2043	7880-4B
10-11-2053	7880-5B
10-11-2063	7880-6B
10-11-2073	7880-7B
10-11-2083	7880-8B
10-11-2093	7880-9B
10-11-2103	7880-10B
10-11-2113	7880-11B
10-11-2123	7880-12B
10-11-2133	7880-13B
10-11-2143	7880-14B
10-11-2153	7880-15B
10-11-2163	7880-16B
10-11-2173	7880-17B
10-11-2183	7880-18B

7880-NC-*	
PART NO.	ENG. NO
10-11-2024	7880-2C
10-11-2034	7880-3C
10-11-2044	7880-4C
10-11-2054	7880-5C
10-11-2064	7880-6C
10-11-2074	7880-7C
10-11-2084	7880-8C
10-11-2094	7880-9C
10-11-2104	7880-10C
10-11-2114	7880-11C
10-11-2124	7880-12C
10-11-2134	7880-13C
10-11-2144	7880-14C
10-11-2154	7880-15C
10-11-2164	7880-16C
10-11-2174	7880-17C
10-11-2184	7880-18C



7880-NB-  
STD. RAMP OPTION



NOTE: 2 THRU 6 CKT PARTS HAVE A SOLID RAMP

7880-NC-  
POLARIZING RAMP OPTION

<b>CORRECT POL. RIBS</b> EC NO: UCP2012-2712 DRWN: MSTROH 2012/02/20 CHKD: HKIPPER 2012/02/21 APPR: FSM LTH 2012/03/20	QUALITY SYMBOLS ▽=0 ▽=0 ▽=0	GENERAL TOLERANCES (UNLESS SPECIFIED)		DIMENSION STYLE	SCALE	DESIGN UNITS	THIRD ANGLE PROJECTION		
				IN/MM	4:1	INCH			
				DRAWN BY	DATE	TITLE <b>.100/(2.54) KK HOUSING FOR SHROUDED CRIMP TERMINAL</b>			
				GUZIK	1988/08/24				
		CHECKED BY	DATE	MOLEX INCORPORATED DOCUMENT NO. SD-7880 SHEET NO. 2 OF 2					
		PATEL	1988/08/24						
		APPROVED BY	DATE	MATERIAL NO. SEE CHART SIZE C THIS DRAWING CONTAINS INFORMATION THAT IS PROPRIETARY TO MOLEX INCORPORATED AND SHOULD NOT BE USED WITHOUT WRITTEN PERMISSION					