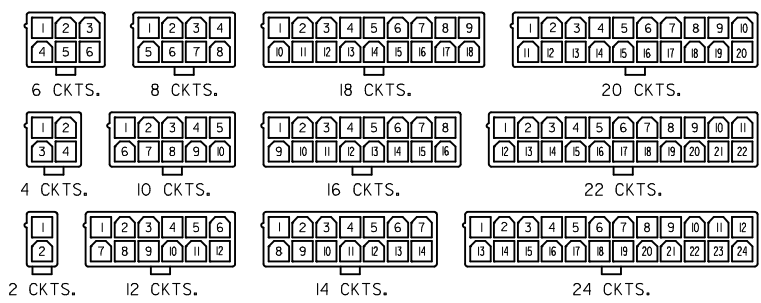
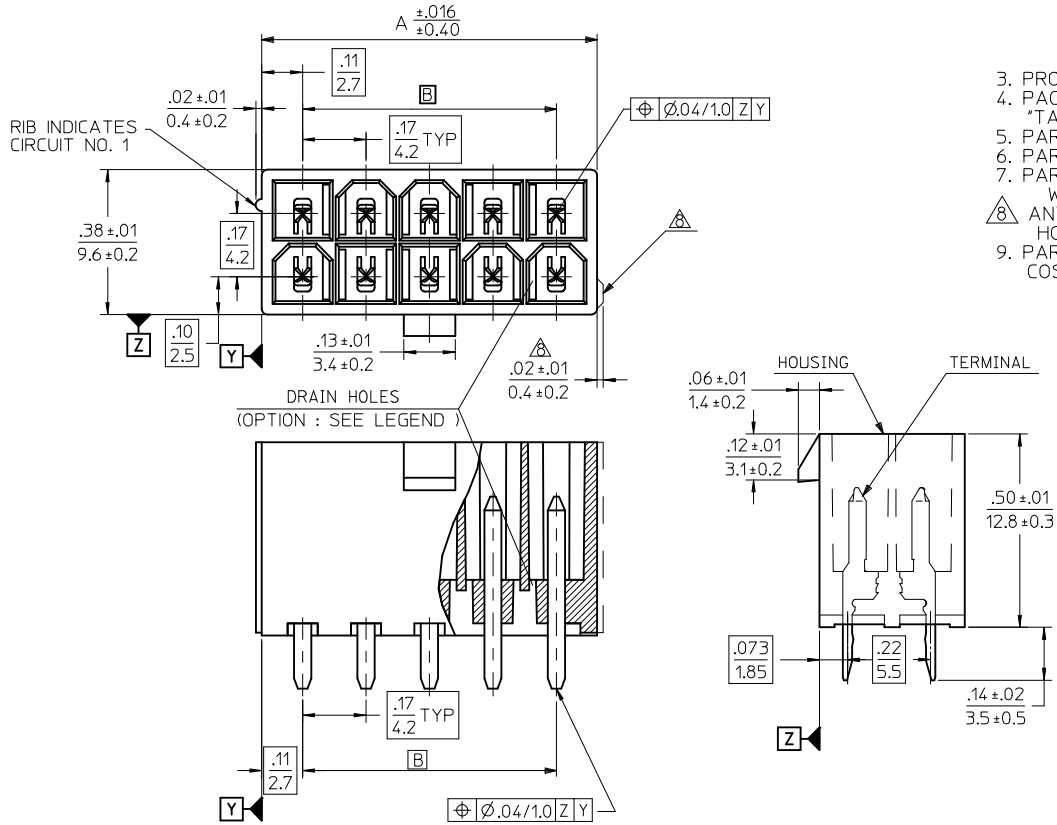


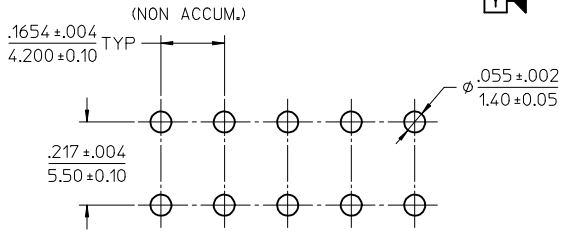
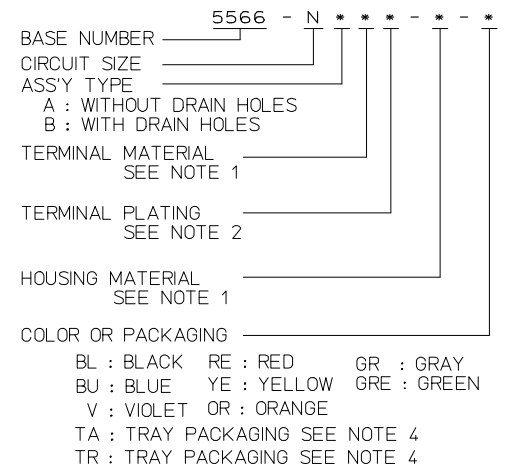
CIRCUIT SIZE	DIM. "A"	DIM. "B"
2	.21 (5.4)	—
4	.38 (9.6)	.17 (4.2)
6	.54 (13.8)	.33 (8.4)
8	.71 (18.0)	.50 (12.6)
10	.87 (22.2)	.66 (16.8)
12	1.04 (26.4)	.83 (21.0)
14	1.20 (30.6)	.99 (25.2)
16	1.37 (34.8)	1.16 (29.4)
18	1.54 (39.0)	1.32 (33.6)
20	1.70 (43.2)	1.49 (37.8)
22	1.87 (47.4)	1.65 (42.0)
24	2.03 (51.6)	1.82 (46.2)



CIRCUIT SIZE LAYOUT



LEGEND



RECOMMENDED HOLE LAYOUT FOR .070(1.78) MAX. THICK P.C. BOARD VIEWED FROM COMPONENT SIDE

ADD P/N'S EC NO: UCP2014-2112 DRAWN BY: DRWANGUYEN CHKD: J.BELL APPR: FSMITH REV: L7	QUALITY SYMBOLS ▽=0 ▽=0 ▽=0	GENERAL TOLERANCES (UNLESS SPECIFIED)		DIMENSION STYLE IN/MM		SCALE 4:1	DESIGN UNITS METRIC	THIRD ANGLE PROJECTION		
		4 PLACES ± --- ± --- 3 PLACES ± --- ± .005 2 PLACES ± .13 ± .010 1 PLACE ± .25 ± ---		DRAWN BY: H.HIRAMOTO DATE: '89/04/03		CHECKED BY: M.FUKUSHIMA DATE: '94/04/20		MINI FIT JR VERTICAL HEADER ASSEMBLIES WITHOUT PEGS		
		ANGULAR ± 3 °		APPROVED BY: FSMITH DATE: 2012/05/04		MOLEX MOLEX INCORPORATED				
		DRAFT WHERE APPLICABLE MUST REMAIN WITHIN DIMENSIONS		SEE TABLE		MATERIAL NO. DOCUMENT NO. SD-5566-002		SHEET NO. 1 OF 5		

- NOTES:
- MATERIALS:
HOUSING:
"BLANK"=NYLON 6/6, UL94V-2, COLOR: NATURAL
"210" =NYLON 6/6, UL94V-0, COLOR: NATURAL
"400"=NYLON 6/6, UL94V-0, COLOR: BLACK
TERMINALS:
"BLANK" = BRASS
"PB" = PHOSPHOR BRONZE
2. TERMINAL PLATING:
"BLANK" = BRIGHT TIN 0.00035/(0.00090) MIN. OVER COPPER .000020/(0.00050) MIN. (BRASS)
TIN .000035/(0.00090) MIN. REFLOW TREATMENT OR BRIGHT TIN .000035/(0.00090) MIN. (PHOSPHOR BRONZE)
"S"=.000100/(0.00254) MIN. BRIGHT TIN OVER .000050/(0.00127) MIN NICKEL
"GS2"=.000015/(0.00038) MIN. SELECT GOLD AND .000100/(0.00254) MIN. SELECT MATTE TIN OVER .000050/(0.00127) MIN. NICKEL OVERALL
"GS"=.000030/(0.00076) MIN. SELECT GOLD AND .000100/(0.00254) MIN. SELECT MATTE TIN OVER .000050/(0.00127) MIN. NICKEL OVERALL
3. PRODUCT SPECIFICATION: PS-5556-001
4. PACKAGING: "BLANK"= BULK PACKED, "TA"=TRAY PACK PER PK-5566-001, "TR"=TRAY PACK PER PK-5566
5. PART MATES WITH MINI-FIT JR. RECEPTACLE NO. 5557.
6. PART IS NOT DESIGNED FOR CURRENT SHARING.
7. PARTS ARE NOT DESIGNED TO BE MATED OR UN-MATED WHILE CIRCUITS ARE LIVE.
8. ANTI-SHINGLING RIB MAY OR MAY NOT APPEAR ON HOUSINGS.
9. PART CONFORMS TO CLASS "B" REQUIREMENTS OF COSMETIC SPECIFICATION PS-45499-002.

13	12	11	10	9	8	7	6	5	4	3	2	1
39-29-5247	5566-24APB-2 IO	39-30-9245	5566-24AGS2-2 IO	39-29-6248	5566-24AGS-2 IO	39-30-6242	5566-24AS-2 IO	39-28-8240	5566-24A-2 IO			
▲ -5227	▲ -22APB-2 IO	▲ -9225	▲ -22AGS2-2 IO	▲ -6228	▲ -22AGS-2 IO	▲ -6222	▲ -22AS-2 IO	▲ -8220	▲ -22A-2 IO			
-5207	-20APB-2 IO	-9205	-20AGS2-2 IO	-6208	-20AGS-2 IO	-6202	-20AS-2 IO	-8200	-20A-2 IO			
-5187	-18APB-2 IO	-9185	-18AGS2-2 IO	-6188	-18AGS-2 IO	-6182	-18AS-2 IO	-8180	-18A-2 IO			
-5167	-16APB-2 IO	-9165	-16AGS2-2 IO	-6168	-16AGS-2 IO	-6162	-16AS-2 IO	-8160	-16A-2 IO			
-5147	-14APB-2 IO	-9145	-14AGS2-2 IO	-6148	-14AGS-2 IO	-6142	-14AS-2 IO	-8140	-14A-2 IO			
-5127	-12APB-2 IO	-9125	-12AGS2-2 IO	-6128	-12AGS-2 IO	-6122	-12AS-2 IO	-8120	-12A-2 IO			
-5107	-10APB-2 IO	-9105	-10AGS2-2 IO	-6108	-10AGS-2 IO	-6102	-10AS-2 IO	-8100	-10A-2 IO			
-5087	-08APB-2 IO	-9085	-08AGS2-2 IO	-6088	-08AGS-2 IO	-6082	-08AS-2 IO	-8080	-08A-2 IO			
-5067	-06APB-2 IO	-9065	-06AGS2-2 IO	-6068	-06AGS-2 IO	-6062	-06AS-2 IO	-8060	-06A-2 IO			
▼ -5047	▼ -04APB-2 IO	▼ -9045	▼ -04AGS2-2 IO	▼ -6048	▼ -04AGS-2 IO	▼ -6042	▼ -04AS-2 IO	▼ -8040	▼ -04A-2 IO			
39-29-5027	5566-02APB-2 IO	39-30-9025	5566-02AGS2-2 IO	39-29-6028	5566-02AGS-2 IO	39-30-6022	5566-02AS-2 IO	39-28-8020	5566-02A-2 IO			
EDP NO.	ENG. NO.	EDP NO.	ENG. NO.	EDP NO.	ENG. NO.	EDP NO.	ENG. NO.	EDP NO.	ENG. NO.			
5566-NAPB-2 IO		5566-NAGS2-2 IO		5566-NAGS-2 IO		5566-NAS-2 IO		5566-NA-2 IO				
39-29-5246	5566-24APB	39-30-9244	5566-24AGS2	39-29-0243	5566-24AGS	39-30-6241	5566-24AS	39-28-1243	5566-24A			
▲ -5226	▲ -22APB	▲ -9224	▲ -22AGS2	▲ -0223	▲ -22AGS	▲ -6221	▲ -22AS	▲ -1223	▲ -22A			
-5206	-20APB	-9204	-20AGS2	-0203	-20AGS	-6201	-20AS	-1203	-20A			
-5186	-18APB	-9184	-18AGS2	-0183	-18AGS	-6181	-18AS	-1183	-18A			
-5166	-16APB	-9164	-16AGS2	-0163	-16AGS	-6161	-16AS	-1163	-16A			
-5146	-14APB	-9144	-14AGS2	-0143	-14AGS	-6141	-14AS	-1143	-14A			
-5126	-12APB	-9124	-12AGS2	-0123	-12AGS	-6121	-12AS	-1123	-12A			
-5106	-10APB	-9104	-10AGS2	-0103	-10AGS	-6101	-10AS	-1103	-10A			
-5086	-08APB	-9084	-08AGS2	-0083	-08AGS	-6081	-08AS	-1083	-08A			
-5066	-06APB	-9064	-06AGS2	-0063	-06AGS	-6061	-06AS	-1063	-06A			
▼ -5046	▼ -04APB	▼ -9044	▼ -04AGS2	▼ -0043	▼ -04AGS	▼ -6041	▼ -04AS	▼ -1043	▼ -04A			
39-29-5026	5566-02APB	39-30-9024	5566-02AGS2	39-29-0023	5566-02AGS	39-30-6021	5566-02AS	39-28-1023	5566-02A			
EDP NO.	ENG. NO.	EDP NO.	ENG. NO.	EDP NO.	ENG. NO.	EDP NO.	ENG. NO.	EDP NO.	ENG. NO.			
5566-NAPB		5566-NAGS2		5566-NAGS		5566-NAS		5566-NA				

PARTS WITH OUT DRAIN HOLES

SEE SHEET 1 EC NO: UCP2014-2112 DRAWING NO: 2013/11/13 CHKD: J.BELL APPR: F.SMITH 2013/11/13 2013/11/27	QUALITY SYMBOLS ▽=0 ▽=0 ▽=0	GENERAL TOLERANCES (UNLESS SPECIFIED)		DIMENSION STYLE IN/MM		SCALE 1:1	DESIGN UNITS METRIC	THIRD ANGLE PROJECTION		
		4 PLACES ± .005 3 PLACES ± .005 2 PLACES ± .010 1 PLACE ± .025	mm INCH	DRAWN BY H.HIRAMOTO	DATE '89/04/03	TITLE MINI FIT JR VERTICAL HEADER ASSEMBLIES WITHOUT PEGS				
		ANGULAR ± 3°		CHECKED BY M.FUKUSHIMA	DATE '94/04/20	APPROVED BY F.SMITH		DATE 2012/05/04	MOLEX INCORPORATED	
		DRAFT WHERE APPLICABLE MUST REMAIN WITHIN DIMENSIONS		MATERIAL NO. SEE TABLE		DOCUMENT NO. SD-5566-002	SHEET NO. 2 OF 5			

THIS DRAWING CONTAINS INFORMATION THAT IS PROPRIETARY TO MOLEX INCORPORATED AND SHOULD NOT BE USED WITHOUT WRITTEN PERMISSION

13	12	11	10	9	8	7	6	5	4	3	2	1
39-30-9247	5566-24BGS2-2 I0	39-31-0248	5566-24BGS-2 I0	39-31-0242	5566-24BS-2 I0	39-31-0240	5566-24B-2 I0	39-30-6244	5566-24APBS-2 I0	24		
▲ -9227	▲ -22BGS2-2 I0	▲ -0228	▲ -22BGS-2 I0	▲ -0222	▲ -22BS-2 I0	▲ -0220	▲ -22B-2 I0	▲ -6224	▲ -22APBS-2 I0	22		
-9207	-20BGS2-2 I0	-0208	-20BGS-2 I0	-0202	-20BS-2 I0	-0200	-20B-2 I0	-6204	-20APBS-2 I0	20		
-9187	-18BGS2-2 I0	-0188	-18BGS-2 I0	-0182	-18BS-2 I0	-0180	-18B-2 I0	-6184	-18APBS-2 I0	18		
-9167	-16BGS2-2 I0	-0168	-16BGS-2 I0	-0162	-16BS-2 I0	-0160	-16B-2 I0	-6164	-16APBS-2 I0	16		
-9147	-14BGS2-2 I0	-0148	-14BGS-2 I0	-0142	-14BS-2 I0	-0140	-14B-2 I0	-6144	-14APBS-2 I0	14		
-9127	-12BGS2-2 I0	-0128	-12BGS-2 I0	-0122	-12BS-2 I0	-0120	-12B-2 I0	-6124	-12APBS-2 I0	12		
-9107	-10BGS2-2 I0	-0108	-10BGS-2 I0	-0102	-10BS-2 I0	-0100	-10B-2 I0	-6104	-10APBS-2 I0	10		
-9087	-08BGS2-2 I0	-0088	-08BGS-2 I0	-0082	-08BS-2 I0	-0080	-08B-2 I0	-6084	-08APBS-2 I0	8		
-9067	-06BGS2-2 I0	-0068	-06BGS-2 I0	-0062	-06BS-2 I0	-0060	-06B-2 I0	-6064	-06APBS-2 I0	6		
▼ -9047	▼ -04BGS2-2 I0	▼ -0048	▼ -04BGS-2 I0	▼ -0042	▼ -04BS-2 I0	▼ -0040	▼ -04B-2 I0	▼ -6044	▼ -04APBS-2 I0	4		
39-30-9027	5566-02BGS2-2 I0	39-31-0028	5566-02BGS-2 I0	39-31-0022	5566-02BS-2 I0	39-31-0020	5566-02B-2 I0	39-30-6024	5566-02APBS-2 I0	2		
EDP NO.	ENG. NO.	EDP NO.	ENG. NO.	EDP NO.	ENG. NO.	EDP NO.	ENG. NO.	EDP NO.	ENG. NO.			
5566-NBGS2-2 I0		5566-NBGS-2 I0		5566-NBS-2 I0		5566-NB-2 I0		5566-NAPBS-2 I0				CKT. SIZE
39-30-9246	5566-24BGS2	39-31-0247	5566-24BGS	39-31-0241	5566-24BS	39-29-3246	5566-24B	39-30-6243	5566-24APBS	24		
▲ -9226	▲ -22BGS2	▲ -0227	▲ -22BGS	▲ -0221	▲ -22BS	▲ -3226	▲ -22B	▲ -6223	▲ -22APBS	22		
-9206	-20BGS2	-0207	-20BGS	-0201	-20BS	-3206	-20B	-6203	-20APBS	20		
-9186	-18BGS2	-0187	-18BGS	-0181	-18BS	-3186	-18B	-6183	-18APBS	18		
-9166	-16BGS2		-16BGS	-0161	-16BS	-3166	-16B	-6163	-16APBS	16		
-9146	-14BGS2	-0147	-14BGS	-0141	-14BS	-3146	-14B	-6143	-14APBS	14		
-9126	-12BGS2	-0127	-12BGS	-0121	-12BS	-3126	-12B	-6123	-12APBS	12		
-9106	-10BGS2	-0107	-10BGS	-0101	-10BS	-3106	-10B	-6103	-10APBS	10		
-9086	-08BGS2	-0087	-08BGS	-0081	-08BS	-3086	-08B	-6083	-08APBS	8		
-9066	-06BGS2	-0067	-06BGS	-0061	-06BS	-3066	-06B	-6063	-06APBS	6		
▼ -9046	▼ -04BGS2	▼ -0047	▼ -04BGS	▼ -0041	▼ -04BS	▼ -3046	▼ -04B	▼ -6043	▼ -04APBS	4		
39-30-9026	5566-02BGS2	39-31-0027	5566-02BGS	39-31-0021	5566-02BS	39-29-3026	5566-02B	39-30-6023	5566-02APBS	2		
EDP NO.	ENG. NO.	EDP NO.	ENG. NO.	EDP NO.	ENG. NO.	EDP NO.	ENG. NO.	EDP NO.	ENG. NO.			CKT. SIZE
5566-NBGS2		5566-NBGS		5566-NBS		5566-NB		5566-NAPBS				
39-31-0245	5566-24BPBS	39-31-0243	5566-24BPB	39-31-0246	5566-24BPBS-2 I0	39-31-0244	5566-24BPB-2 I0	24				
▲ -0225	▲ -22BPBS	▲ -0223	▲ -22BPB	▲ -0226	▲ -22BPBS-2 I0	▲ -0224	▲ -22BPB-2 I0	22				
-0205	-20BPBS	-0203	-20BPB	-0206	-20BPBS-2 I0	-0204	-20BPB-2 I0	20				
-0185	-18BPBS	-0183	-18BPB	-0186	-18BPBS-2 I0	-0184	-18BPB-2 I0	18				
-0165	-16BPBS	-0163	-16BPB	-0166	-16BPBS-2 I0	-0164	-16BPB-2 I0	16				
-0145	-14BPBS	-0143	-14BPB	-0146	-14BPBS-2 I0	-0144	-14BPB-2 I0	14				
-0125	-12BPBS	-0123	-12BPB	-0126	-12BPBS-2 I0	-0124	-12BPB-2 I0	12				
-0105	-10BPBS	-0103	-10BPB	-0106	-10BPBS-2 I0	-0104	-10BPB-2 I0	10				
-0085	-08BPBS	-0083	-08BPB	-0086	-08BPBS-2 I0	-0084	-08BPB-2 I0	8				
-0065	-06BPBS	-0063	-06BPB	-0066	-06BPBS-2 I0	-0064	-06BPB-2 I0	6				
▼ -0045	▼ -04BPBS	▼ -0043	▼ -04BPB	▼ -0046	▼ -04BPBS-2 I0	▼ -0044	▼ -04BPB-2 I0	4				
39-31-0025	5566-02BPBS	39-31-0023	5566-02BPB	39-31-0026	5566-02BPBS-2 I0	39-31-0024	5566-02BPB-2 I0	2				
EDP NO.	ENG. NO.	EDP NO.	ENG. NO.	EDP NO.	ENG. NO.	EDP NO.	ENG. NO.					CKT. SIZE
5566-NBPBS		5566-NBPB		5566-NBPBS-2 I0		5566-NBPB-2 I0						

PARTS WITH DRAIN HOLES

SEE SHEET 1 EC NO: UCP2014-212 DRAWING: NGUYEN 2013/11/13 CHKD: J.BELL 2013/11/13 APPR: FSMITH 2013/11/17	QUALITY SYMBOLS ▽ = 0 ▽ = 0 ▽ = 0	GENERAL TOLERANCES (UNLESS SPECIFIED)		DIMENSION STYLE IN/MM		SCALE 1:1	DESIGN UNITS METRIC	THIRD ANGLE PROJECTION		
		4 PLACES ± .13 ± .010 3 PLACES ± .13 ± .010 2 PLACES ± .13 ± .010 1 PLACE ± .25 ± .010		DRAWN BY DATE H.HIRAMOTO '89/04/03		TITLE MINI FIT JR VERTICAL HEADER ASSEMBLIES WITHOUT PEGS		MOLEX INCORPORATED		
		ANGULAR ± 3°		CHECKED BY DATE M.FUKUSHIMA '94/04/20		APPROVED BY DATE FSMITH 2012/05/04		MATERIAL NO. SEE TABLE		SHEET NO. 3 OF 5
		DRAFT WHERE APPLICABLE MUST REMAIN WITHIN DIMENSIONS		THIS DRAWING CONTAINS INFORMATION THAT IS PROPRIETARY TO MOLEX INCORPORATED AND SHOULD NOT BE USED WITHOUT WRITTEN PERMISSION		DOCUMENT NO. SD-5566-002				

COLORED PART NUMBERS

EDP. NO.	ENG. NO.	EDP. NO.	ENG. NO.	EDP. NO.	ENG. NO.	EDP. NO.	ENG. NO.	EDP. NO.	ENG. NO.	CKT. SIZE		
										24		
										22		
										20		
46999-0085										18		
										16		
										14		
										12		
								46999-0087	5566-10AS-V	10		
										8		
										6		
										4		
										2		
										24		
								39-35-0248	5566-24A-400	24		
								39-35-0228	▲ -22A-400	22		
								39-35-0208	-20A-400	20		
								39-35-0188	-18A-400	18		
						39-33-3169	5566-16A-210-BU	39-35-0168	-16A-400	16		
								39-35-0148	-14A-400	14		
								39-35-0128	-12A-400	12		
				39-33-4100	5566-10A-210-RE	39-33-3109	5566-10A-210-BU	39-33-0108	-10A-400	10		
46999-0091	5566-08AS-GRE							39-35-0088	-08A-400	8		
								39-35-0068	-06A-400	6		
				39-33-4040	5566-04A-210-RE	39-33-3049	5566-04A-210-BU	39-35-0048	▼ -04A-400	4		
50-36-2485	5566-02AS-GRE	39-34-5023	5566-02A-210-YE	39-33-4020	5566-02A-210-RE	39-33-3029	5566-02A-210-BU	39-35-0028	5566-02A-400	2		
	EDP. NO.		ENG. NO.		EDP. NO.		ENG. NO.		EDP. NO.		ENG. NO.	CKT. SIZE
	5566-NAS-GRE		5566-NA-210-YE		5566-NA-210-RE		5566-NA-210-BU		5566-NA-400			
												24
												22
												20
												18
				39-33-3166	5566-16A-RE	39-33-3164	5566-16A-BU					16
39-33-3145	5566-14A-GR							39-33-3143	5566-14A-BL			14
				39-33-3126	5566-12A-RE	39-33-3124	5566-12A-BU					12
				39-33-3106	5566-10A-RE	39-33-3104	5566-10A-BU					10
		39-33-3087	5566-08A-YE	39-33-3086	5566-08A-RE	39-33-3084	5566-08A-BU	39-33-3083	5566-08A-BL			8
		39-33-3067	5566-06A-YE	39-33-3066	5566-06A-RE	39-33-3064	5566-06A-BU	39-33-3063	5566-06A-BL			6
				39-33-3046	5566-04A-RE	39-33-3044	5566-04A-BU	39-33-3043	5566-04A-BL			4
		39-33-3027	5566-02A-YE	39-33-3026	5566-02A-RE	39-33-3024	5566-02A-BU	39-33-3023	5566-02A-BL			2
	EDP. NO.		ENG. NO.		EDP. NO.		ENG. NO.		EDP. NO.		ENG. NO.	CKT. SIZE
	5566-NA-GR		5566-NA-YE		5566-NA-RE		5566-NA-BU		5566-NA-BL			

PARTS WITHOUT DRAIN HOLES

SEE SHEET 1 EC NO: UCP2014-212 DRAWN: NGUYEN 2013/11/13 CHKD: J.BELL 2013/11/13 APPR: F.SMITH 2013/11/27	QUALITY SYMBOLS ∇=0 ∇=0 ∇=0	GENERAL TOLERANCES (UNLESS SPECIFIED)		DIMENSION STYLE IN/MM		SCALE 1:1	DESIGN UNITS METRIC	THIRD ANGLE PROJECTION	
		4 PLACES ± .010 ± .005 3 PLACES ± .010 ± .005 2 PLACES ± .010 ± .010 1 PLACE ± .010 ± .010	mm INCH	DRAWN BY H.HIRAMOTO	DATE '89/04/03	TITLE MINI FIT JR VERTICAL HEADER ASSEMBLIES WITHOUT PEGS			
		ANGULAR ± 3°	CHECKED BY M.FUKUSHIMA	DATE '94/04/20	APPROVED BY F.SMITH		DATE 2012/05/04		
		DRAFT WHERE APPLICABLE MUST REMAIN WITHIN DIMENSIONS	MATERIAL NO. SEE TABLE	DOCUMENT NO. SD-5566-002	SHEET NO. 4 OF 5				

THIS DRAWING CONTAINS INFORMATION THAT IS PROPRIETARY TO MOLEX INCORPORATED AND SHOULD NOT BE USED WITHOUT WRITTEN PERMISSION

TRAY PACKED PART NUMBERS

PARTS WITHOUT DRAIN HOLES					39-53-9249	5566-24A-210-TA	39-53-9248	5566-24A-TA	24
						↑ -22A-210-TA	↑ -9228	↑ -22A-TA	22
						↑ -20A-210-TA	↑ -9208	↑ -20A-TA	20
			39-34-1180	5566-18A-210-TR		↑ -18A-210-TA	↑ -9188	↑ -18A-TA	18
						↑ -16A-210-TA	↑ -9168	↑ -16A-TA	16
						↑ -14A-210-TA	↑ -9148	↑ -14A-TA	14
						↑ -12A-210-TA	↑ -9128	↑ -12A-TA	12
						↑ -10A-210-TA	↑ -9108	↑ -10A-TA	10
						↑ -08A-210-TA	↑ -9088	↑ -08A-TA	8
	46999-0630	5566-06AGS2-BL-TA				↑ -06A-210-TA	↑ -9068	↑ -06A-TA	6
46999-0629	5566-04AGS2-BL-TA				↓ -04A-210-TA	↓ -9048	↓ -04A-TA	4	
					5566-02A-210-TA	39-53-9028	5566-02A-TA	2	
EDP NO.	ENG. NO.	EDP NO.	ENG. NO.	EDP NO.	ENG. NO.	EDP NO.	ENG. NO.	CKT. SIZE	
5566-NAGS2-BL-TA		5566-NA-210-TR		5566-NA-210-TA		5566-NA-TA			

SEE SHEET 1 EC NO: UCP2014-212 DRAWN: NGUYEN 2013/11/13 CHKD: BELL 2013/11/13 APPR: FSMITH 2013/11/27	QUALITY SYMBOLS	GENERAL TOLERANCES (UNLESS SPECIFIED)		DIMENSION STYLE		SCALE	DESIGN UNITS	THIRD ANGLE PROJECTION
	▽=0	mm	INCH	IN/MM		1:1	METRIC	☉
	▽=0	4 PLACES ± .005	± .005	DRAWN BY	DATE	TITLE		
	▽=0	3 PLACES ± .010	± .010	H.HIRAMOTO	'89/04/03	MINI FIT JR VERTICAL HEADER ASSEMBLIES WITHOUT PEGS		
	▽=0	2 PLACES ± .13	± .010	M.FUKUSHIMA	'94/04/20	MOLEX INCORPORATED		
	1 PLACE ± .25	± .010	APPROVED BY	DATE	MATERIAL NO.		DOCUMENT NO.	SHEET NO.
			FSMITH	2012/05/04	SEE TABLE		SD-5566-002	5 OF 5
			ANGULAR ± 3 °		THIS DRAWING CONTAINS INFORMATION THAT IS PROPRIETARY TO MOLEX INCORPORATED AND SHOULD NOT BE USED WITHOUT WRITTEN PERMISSION			
			DRAFT WHERE APPLICABLE MUST REMAIN WITHIN DIMENSIONS					