

- 注) NOTES
- 材質 MATERIAL
ハウジング: ガラス入りPPS、茶色、UL94V-0
HOUSING: G.F.PPS, BROWN, UL94V-0
ターミナル: 銅合金 (t=0.2)
TERMINAL: COPPER ALLOY
吸着カバー: ステンレス (t=0.2)
VACUUM COVER: STAINLESS STEEL
 - メッキ仕様 PLATING
接点部: 金メッキ 0.25µm MIN.
CONTACT AREA: GOLD 0.25 MICROMETER MIN.
半田付け部: 錫メッキ 1.0µm MIN.
SOLDER TAIL AREA: TIN 1.0 MICROMETER MIN.
下地メッキ: ニッケルメッキ 1.5µm MIN.
UNDER-PLATING: NICKEL 1.5 MICROMETER MIN.
 - テールのバラッキ寸法 TAIL COPLANARITY
テール平坦度は、0.1 MAX. とする。
TAILS COPLANARITY TO BE 0.1 MAX.
 - 本製品は 53647-***2 の鉛フリー品である。
THIS PRODUCT IS LEAD FREE OF 53647-***2.

材料 MATERIAL	注) 参照 SEE NOTES
仕上げ FINISH	注) 参照 SEE NOTES
適用電線範囲 WIRE RANGE	— # —
被覆外径 INS. RANGE	— # —

REVISED	EC NO: J2009-1336
DRW: WYOSHIDAM	2008/12/19
CHKD: HARUYAMA	2008/12/19
APPR: NUKITA	2009/01/16

GENERAL TOLERANCES (UNLESS SPECIFIED)	
10 UNDER	±0.2
10 OVER 30 UNDER	±0.25
30 OVER	±0.3
ANGULAR ±3°	
DRAFT WHERE APPLICABLE MUST REMAIN WITHIN DIMENSIONS	

無し NO	52.67	53.77	50.165	57.67	53647-1674	53647-1675	53647-1609	160
	46.32	47.42	43.815	51.32	53647-1474	53647-1475	53647-1409	140
	39.97	41.07	37.465	44.97	53647-1274	53647-1275	53647-1209	120
	33.62	34.72	31.115	38.62	53647-1074	53647-1075	53647-1009	100
有り YES	27.27	28.37	24.765	32.27	53647-0874	53647-0875	53647-0809	80
	20.92	22.02	18.415	25.92	53647-0674	53647-0675	53647-0609	60
	14.57	15.67	12.065	19.57	53647-0474	53647-0475	53647-0409	40
	11.4	12.5	8.89	16.4	53647-0374	53647-0375	53647-0309	30
	8.22	9.32	5.715	13.22	53647-0274	53647-0275	53647-0209	20
ハウジングロック HS'G LOCK	D	C	B	A	エンボス梱包 EMBOSSED PACKAGING	スティック梱包 STICK PACKAGING	製品番号 MATERIAL NO.	極数 CKT. NO.

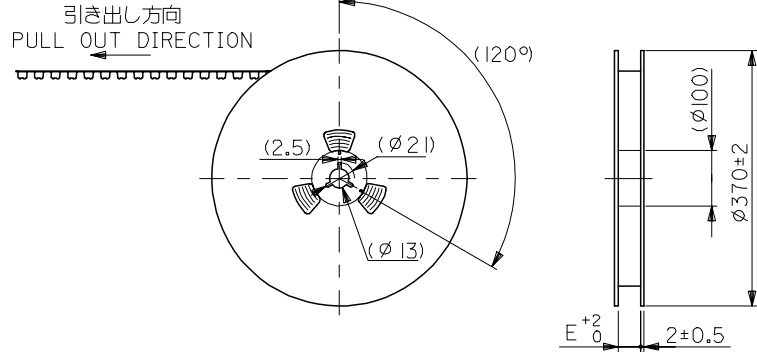
DIMENSION STYLE: MM ONLY
SCALE: ---
DESIGN UNITS: METRIC
THIRD ANGLE PROJECTION

DRAWN BY: Y. WADA DATE: '04/02/27
CHECKED BY: M. SASAO DATE: '04/02/27
APPROVED BY: M. SASAO DATE: '04/02/27

TITLE: 0.635 PITCH B-T0-B PLUG HS'G COVER ASS'Y -LEAD FREE-

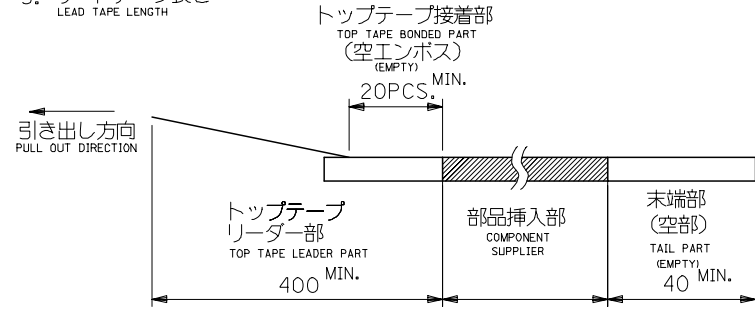
MATERIAL NO. SEE CHART DOCUMENT NO. SD-53647-002 SHEET NO. 1 OF 1

THIS DRAWING CONTAINS INFORMATION THAT IS PROPRIETARY TO MOLEX INCORPORATED AND SHOULD NOT BE USED WITHOUT WRITTEN PERMISSION

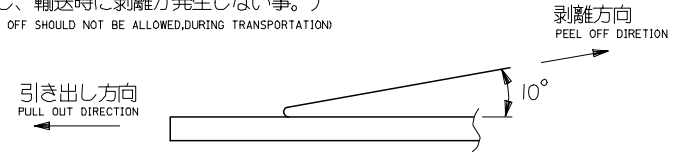


注)
NOTES

- 製品番号 53647-1609 の詳細寸法については、製品単体図面を参照下さい。
IN THE PACKAGE, PART NO. 53647-1609 DETAILED DIMENSIONS, SEE PRODUCT DRAWING.
- 梱包数量 : 750 個/リール
NUMBER OF CONNECTORS : 750 PCS/REEL
- リードテープ長さ
LEAD TAPE LENGTH



- トップテープの剥離強度 (剥離方向は下図参照)
PEELING OFF FORCE OF TOP TAPE (PEELING DIRECTION AS SHOWN IN FOLLOWING FIG.)
0.1~1.3N {10~130gf}
尚、本規格値は、出荷時に適用。
THIS REQUIREMENT SHOULD BE APPLIED AT SHIPMENT
(但し、輸送時に剥離が発生しない事。)
(PEEL OFF SHOULD NOT BE ALLOWED DURING TRANSPORTATION)



- 材料
MATERIAL
キャリアテープ : ポリプロピレン (PP)
CARRIER TAPE : POLYPROPYLENE (PP)
トップテープ : PET, PE, PEF
TOP TAPE : PET, PE, PEF
リール : 紙
REEL : CARD BOARD
- 本製品は 53647-1604 の鉛フリー品である。
THIS PRODUCT IS LEAD FREE OF 53647-1604.

53647-1674	MODEL NO.
DESIGN UNITS	THIRD ANGLE PROJECTION
METRIC	

RELEASED EC NO: J2005-3695 DRWN: MABE I 2005/06/13 CHKD: KTOYODA 2005/06/14 APPR: NUKITA 2005/06/21	GENERAL TOLERANCES (UNLESS SPECIFIED)		DIMENSION STYLE MM ONLY		SCALE ---	TITLE 53647-1609 TAPING PACKAGE -LEAD FREE-	
	10 UNDER	± ---	DRAWN BY M. NABE I	DATE '05/06/10	MOLEX INCORPORATED DOCUMENT NO. SD-53647-005 SHEET NO. 1 OF 2		
	10 OVER 30 UNDER	± ---	CHECKED BY K. TOYODA	DATE '05/06/10			
	30 OVER	± ---	APPROVED BY N. UKITA	DATE '05/06/10			
0	ANGULAR ± --- °	DRAFT WHERE APPLICABLE MUST REMAIN WITHIN DIMENSIONS		MATERIAL NO. SEE CHART		DOCUMENT NO. SD-53647-005	
SIZE A3 THIS DRAWING CONTAINS INFORMATION THAT IS PROPRIETARY TO MOLEX INCORPORATED AND SHOULD NOT BE USED WITHOUT WRITTEN PERMISSION							

10 9 8 7 6 5 4 3 2 1

F
E
D
C
B
A

F
E
D
C
B
A

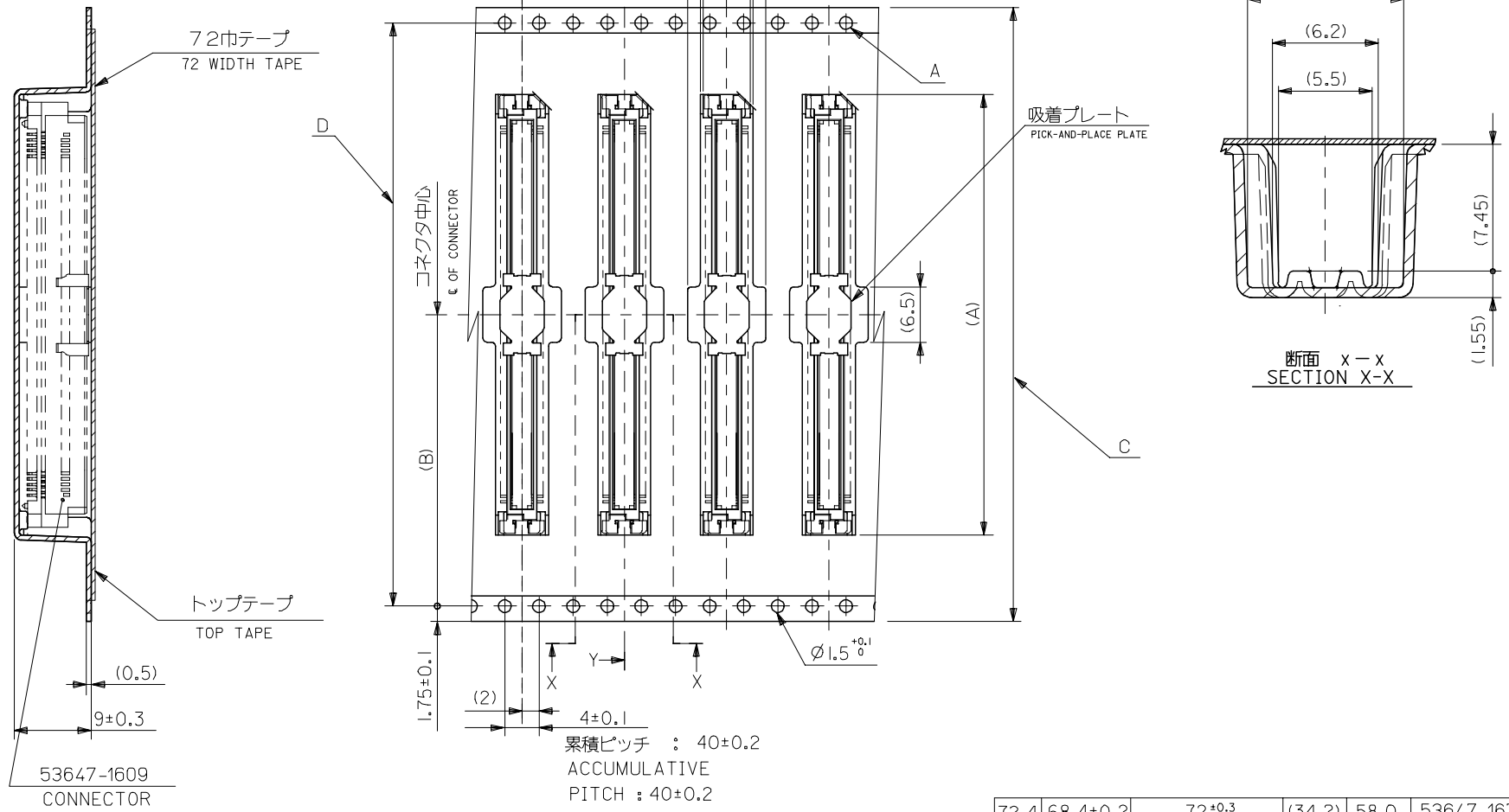
引き出し方向
PULL OUT DIRECTION

72巾テープ
72 WIDTH TAPE

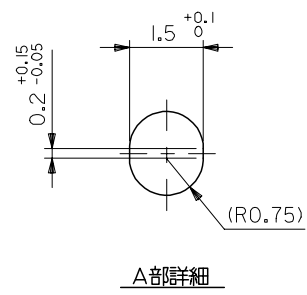
トップテープ
TOP TAPE

吸着プレート
PICK-AND-PLACE PLATE

断面 X-X
SECTION X-X



断面 Y-Y
SECTION Y-Y



72.4	68.4±0.2	72 ^{+0.3}	(34.2)	58.0	53647-1674	160
E	D	C	(B)	(A)	MATERIAL NO.	極数 NO. OF CXTS.

RELEASED EC NO: J2005-3695 DRAWN: MABEI 2005/06/13 CHK'D: K. TOYODA 2005/06/14 APPR: NUKITA 2005/06/21 REV: 0	GENERAL TOLERANCES (UNLESS SPECIFIED)		DIMENSION STYLE MM ONLY		SCALE ---	DESIGN UNITS METRIC	THIRD ANGLE PROJECTION
	10 UNDER	± ---	DRAWN BY M. NABEI	DATE '05/06/10	TITLE 53647-1609 TAPING PACKAGE -LEAD FREE-		
	10 OVER 30 UNDER	± ---	CHECKED BY K. TOYODA	DATE '05/06/10	MOLEX INCORPORATED		
	30 OVER	± ---	APPROVED BY N. UKITA	DATE '05/06/10	DOCUMENT NO. SD-53647-005	SHEET NO. 2 OF 2	
	ANGULAR	± --- °	MATERIAL NO. SEE CHART				
DRAFT WHERE APPLICABLE MUST REMAIN WITHIN DIMENSIONS		THIS DRAWING CONTAINS INFORMATION THAT IS PROPRIETARY TO MOLEX INCORPORATED AND SHOULD NOT BE USED WITHOUT WRITTEN PERMISSION					