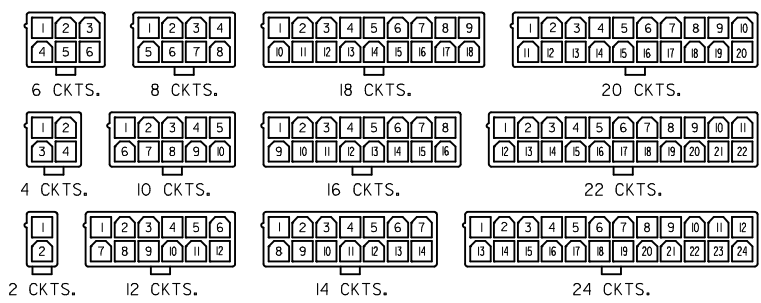
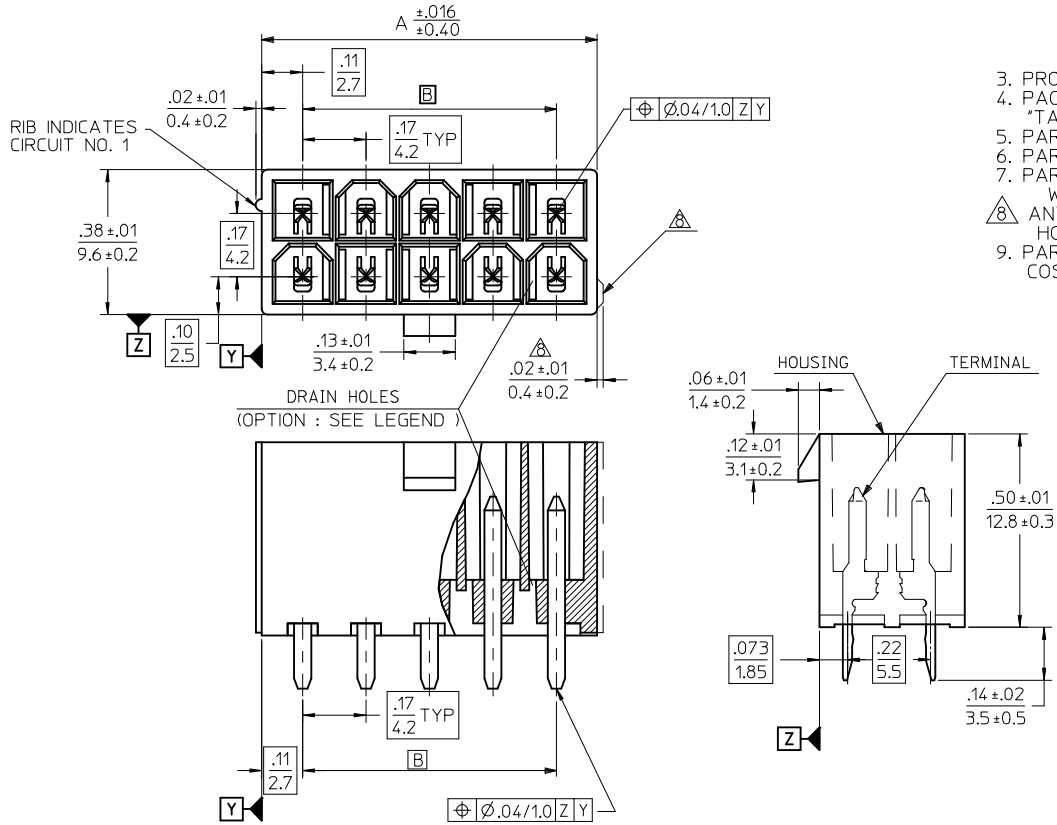


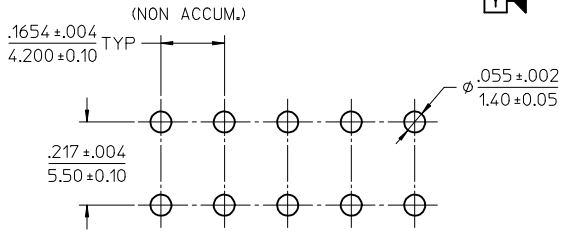
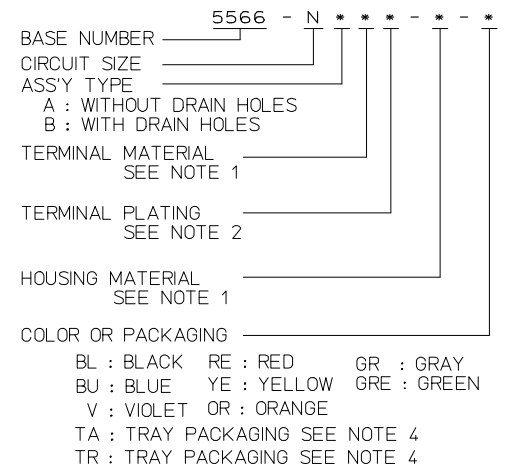
| CIRCUIT SIZE | DIM. "A" | DIM. "B" |
|--------------|----------------|----------------|
| 2 | .21 (5.4) | — |
| 4 | .38 (9.6) | .17 (4.2) |
| 6 | .54 (13.8) | .33 (8.4) |
| 8 | .71 (18.0) | .50 (12.6) |
| 10 | .87 (22.2) | .66 (16.8) |
| 12 | 1.04 (26.4) | .83 (21.0) |
| 14 | 1.20 (30.6) | .99 (25.2) |
| 16 | 1.37 (34.8) | 1.16 (29.4) |
| 18 | 1.54 (39.0) | 1.32 (33.6) |
| 20 | 1.70 (43.2) | 1.49 (37.8) |
| 22 | 1.87 (47.4) | 1.65 (42.0) |
| 24 | 2.03 (51.6) | 1.82 (46.2) |



CIRCUIT SIZE LAYOUT



LEGEND



RECOMMENDED HOLE LAYOUT FOR .070(1.78) MAX. THICK P.C. BOARD VIEWED FROM COMPONENT SIDE

| | | | | | | | | | |
|---|--------------------------------------|---|--|--|--|--|------------------------|-----------------------------|--|
| ADD P/N'S EC NO: UCP2014-2112 DRAWN BY: DRWANGUYEN CHKD: J.BELL APPR: FSMITH REV: L7 | QUALITY SYMBOLS ▽=0 ▽=0 ▽=0 | GENERAL TOLERANCES (UNLESS SPECIFIED) | | DIMENSION STYLE IN/MM | | SCALE 4:1 | DESIGN UNITS METRIC | THIRD ANGLE PROJECTION | |
| | | 4 PLACES ± --- ± --- 3 PLACES ± --- ± .005 2 PLACES ± .13 ± .010 1 PLACE ± .25 ± --- | | DRAWN BY: H.HIRAMOTO DATE: '89/04/03 CHECKED BY: M.FUKUSHIMA DATE: '94/04/20 APPROVED BY: FSMITH DATE: 2012/05/04 | | TITLE MINI FIT JR VERTICAL HEADER ASSEMBLIES WITHOUT PEGS | | MATERIAL NO. SD-5566-002 | |
| | | ANGULAR ± 3 ° | | SEE TABLE | | DOCUMENT NO. | | SHEET NO. 1 OF 5 | |

DRAFT WHERE APPLICABLE MUST REMAIN WITHIN DIMENSIONS

THIS DRAWING CONTAINS INFORMATION THAT IS PROPRIETARY TO MOLEX INCORPORATED AND SHOULD NOT BE USED WITHOUT WRITTEN PERMISSION

- NOTES:
- MATERIALS:
HOUSING:
"BLANK"=NYLON 6/6, UL94V-2, COLOR: NATURAL
"210" =NYLON 6/6, UL94V-0, COLOR: NATURAL
"400"=NYLON 6/6, UL94V-0, COLOR: BLACK
TERMINALS:
"BLANK" = BRASS
"PB" = PHOSPHOR BRONZE
2. TERMINAL PLATING:
"BLANK" = BRIGHT TIN 0.00035/(0.00090) MIN. OVER COPPER .000020/(0.00050) MIN. (BRASS)
TIN .000035/(0.00090) MIN. REFLOW TREATMENT OR BRIGHT TIN .000035/(0.00090) MIN. (PHOSPHOR BRONZE)
"S"=.000100/(0.00254) MIN. BRIGHT TIN OVER .000050/(0.00127) MIN NICKEL
"GS2"=.000015/(0.00038) MIN. SELECT GOLD AND .000100/(0.00254) MIN. SELECT MATTE TIN OVER .000050/(0.00127) MIN. NICKEL OVERALL
"GS"=.000030/(0.00076) MIN. SELECT GOLD AND .000100/(0.00254) MIN. SELECT MATTE TIN OVER .000050/(0.00127) MIN. NICKEL OVERALL
3. PRODUCT SPECIFICATION: PS-5556-001
4. PACKAGING: "BLANK"= BULK PACKED, "TA"=TRAY PACK PER PK-5566-001, "TR"=TRAY PACK PER PK-5566
5. PART MATES WITH MINI-FIT JR. RECEPTACLE NO. 5557.
6. PART IS NOT DESIGNED FOR CURRENT SHARING.
7. PARTS ARE NOT DESIGNED TO BE MATED OR UN-MATED WHILE CIRCUITS ARE LIVE.
8. ANTI-SHINGLING RIB MAY OR MAY NOT APPEAR ON HOUSINGS.
9. PART CONFORMS TO CLASS "B" REQUIREMENTS OF COSMETIC SPECIFICATION PS-45499-002.

| 13 | 12 | 11 | 10 | 9 | 8 | 7 | 6 | 5 | 4 | 3 | 2 | 1 |
|----------------|-----------------|-----------------|------------------|----------------|-----------------|---------------|----------------|--------------|---------------|-----------|---|---|
| 39-29-5247 | 5566-24APB-2 IO | 39-30-9245 | 5566-24AGS2-2 IO | 39-29-6248 | 5566-24AGS-2 IO | 39-30-6242 | 5566-24AS-2 IO | 39-28-8240 | 5566-24A-2 IO | | | |
| ▲ -5227 | ▲ -22APB-2 IO | ▲ -9225 | ▲ -22AGS2-2 IO | ▲ -6228 | ▲ -22AGS-2 IO | ▲ -6222 | ▲ -22AS-2 IO | ▲ -8220 | ▲ -22A-2 IO | | | |
| -5207 | -20APB-2 IO | -9205 | -20AGS2-2 IO | -6208 | -20AGS-2 IO | -6202 | -20AS-2 IO | -8200 | -20A-2 IO | | | |
| -5187 | -18APB-2 IO | -9185 | -18AGS2-2 IO | -6188 | -18AGS-2 IO | -6182 | -18AS-2 IO | -8180 | -18A-2 IO | | | |
| -5167 | -16APB-2 IO | -9165 | -16AGS2-2 IO | -6168 | -16AGS-2 IO | -6162 | -16AS-2 IO | -8160 | -16A-2 IO | | | |
| -5147 | -14APB-2 IO | -9145 | -14AGS2-2 IO | -6148 | -14AGS-2 IO | -6142 | -14AS-2 IO | -8140 | -14A-2 IO | | | |
| -5127 | -12APB-2 IO | -9125 | -12AGS2-2 IO | -6128 | -12AGS-2 IO | -6122 | -12AS-2 IO | -8120 | -12A-2 IO | | | |
| -5107 | -10APB-2 IO | -9105 | -10AGS2-2 IO | -6108 | -10AGS-2 IO | -6102 | -10AS-2 IO | -8100 | -10A-2 IO | | | |
| -5087 | -08APB-2 IO | -9085 | -08AGS2-2 IO | -6088 | -08AGS-2 IO | -6082 | -08AS-2 IO | -8080 | -08A-2 IO | | | |
| -5067 | -06APB-2 IO | -9065 | -06AGS2-2 IO | -6068 | -06AGS-2 IO | -6062 | -06AS-2 IO | -8060 | -06A-2 IO | | | |
| ▼ -5047 | ▼ -04APB-2 IO | ▼ -9045 | ▼ -04AGS2-2 IO | ▼ -6048 | ▼ -04AGS-2 IO | ▼ -6042 | ▼ -04AS-2 IO | ▼ -8040 | ▼ -04A-2 IO | | | |
| 39-29-5027 | 5566-02APB-2 IO | 39-30-9025 | 5566-02AGS2-2 IO | 39-29-6028 | 5566-02AGS-2 IO | 39-30-6022 | 5566-02AS-2 IO | 39-28-8020 | 5566-02A-2 IO | | | |
| EDP NO. | ENG. NO. | EDP NO. | ENG. NO. | EDP NO. | ENG. NO. | EDP NO. | ENG. NO. | EDP NO. | ENG. NO. | | | |
| 5566-NAPB-2 IO | | 5566-NAGS2-2 IO | | 5566-NAGS-2 IO | | 5566-NAS-2 IO | | 5566-NA-2 IO | | | | |
| 39-29-5246 | 5566-24APB | 39-30-9244 | 5566-24AGS2 | 39-29-0243 | 5566-24AGS | 39-30-6241 | 5566-24AS | 39-28-1243 | 5566-24A | | | |
| ▲ -5226 | ▲ -22APB | ▲ -9224 | ▲ -22AGS2 | ▲ -0223 | ▲ -22AGS | ▲ -6221 | ▲ -22AS | ▲ -1223 | ▲ -22A | | | |
| -5206 | -20APB | -9204 | -20AGS2 | -0203 | -20AGS | -6201 | -20AS | -1203 | -20A | | | |
| -5186 | -18APB | -9184 | -18AGS2 | -0183 | -18AGS | -6181 | -18AS | -1183 | -18A | | | |
| -5166 | -16APB | -9164 | -16AGS2 | -0163 | -16AGS | -6161 | -16AS | -1163 | -16A | | | |
| -5146 | -14APB | -9144 | -14AGS2 | -0143 | -14AGS | -6141 | -14AS | -1143 | -14A | | | |
| -5126 | -12APB | -9124 | -12AGS2 | -0123 | -12AGS | -6121 | -12AS | -1123 | -12A | | | |
| -5106 | -10APB | -9104 | -10AGS2 | -0103 | -10AGS | -6101 | -10AS | -1103 | -10A | | | |
| -5086 | -08APB | -9084 | -08AGS2 | -0083 | -08AGS | -6081 | -08AS | -1083 | -08A | | | |
| -5066 | -06APB | -9064 | -06AGS2 | -0063 | -06AGS | -6061 | -06AS | -1063 | -06A | | | |
| ▼ -5046 | ▼ -04APB | ▼ -9044 | ▼ -04AGS2 | ▼ -0043 | ▼ -04AGS | ▼ -6041 | ▼ -04AS | ▼ -1043 | ▼ -04A | | | |
| 39-29-5026 | 5566-02APB | 39-30-9024 | 5566-02AGS2 | 39-29-0023 | 5566-02AGS | 39-30-6021 | 5566-02AS | 39-28-1023 | 5566-02A | | | |
| EDP NO. | ENG. NO. | EDP NO. | ENG. NO. | EDP NO. | ENG. NO. | EDP NO. | ENG. NO. | EDP NO. | ENG. NO. | | | |
| 5566-NAPB | | 5566-NAGS2 | | 5566-NAGS | | 5566-NAS | | 5566-NA | | | | |
| | | | | | | | | | | CKT. SIZE | | |

PARTS WITH OUT DRAIN HOLES

| | | | | | | | | | | |
|---|--------------------------------------|---|------------|----------------------------------|-------------------|---|-------------------------------|----------------------------|---------------------------|--|
| SEE SHEET 1 EC NO: UCP2014-2112 DRAWN: NGUYEN 2013/11/13 CHKD: BELL 2013/11/13 APPR: FSMITH 2013/11/27 L7 | QUALITY SYMBOLS ▽=0 ▽=0 ▽=0 | GENERAL TOLERANCES (UNLESS SPECIFIED) | | DIMENSION STYLE IN/MM | | SCALE 1:1 | DESIGN UNITS METRIC | THIRD ANGLE PROJECTION | | |
| | | 4 PLACES ± .005 3 PLACES ± .005 2 PLACES ± .010 1 PLACE ± .025 | mm INCH | DRAWN BY H.HIRAMOTO | DATE '89/04/03 | TITLE MINI FIT JR VERTICAL HEADER ASSEMBLIES WITHOUT PEGS | | | | |
| | | ANGULAR ± 3° | | CHECKED BY M.FUKUSHIMA | DATE '94/04/20 | APPROVED BY FSMITH | | DATE 2012/05/04 | MOLEX INCORPORATED | |
| | | DRAFT WHERE APPLICABLE MUST REMAIN WITHIN DIMENSIONS | | MATERIAL NO. SEE TABLE | | DOCUMENT NO. SD-5566-002 | | SHEET NO. 2 OF 5 | | |

THIS DRAWING CONTAINS INFORMATION THAT IS PROPRIETARY TO MOLEX INCORPORATED AND SHOULD NOT BE USED WITHOUT WRITTEN PERMISSION

| | | | | | | | | | | | | | |
|--|------------|------------------|------------|-----------------|------------|----------------|------------|---------------|------------|------------------|----|---|---|
| | 13 | 12 | 11 | 10 | 9 | 8 | 7 | 6 | 5 | 4 | 3 | 2 | 1 |
| | 39-30-9247 | 5566-24BGS2-2 I0 | 39-31-0248 | 5566-24BGS-2 I0 | 39-31-0242 | 5566-24BS-2 I0 | 39-31-0240 | 5566-24B-2 I0 | 39-30-6244 | 5566-24APBS-2 I0 | 24 | | |
| | ▲ -9227 | ▲ -22BGS2-2 I0 | ▲ -0228 | ▲ -22BGS-2 I0 | ▲ -0222 | ▲ -22BS-2 I0 | ▲ -0220 | ▲ -22B-2 I0 | ▲ -6224 | ▲ -22APBS-2 I0 | 22 | | |
| | -9207 | -20BGS2-2 I0 | -0208 | -20BGS-2 I0 | -0202 | -20BS-2 I0 | -0200 | -20B-2 I0 | -6204 | -20APBS-2 I0 | 20 | | |
| | -9187 | -18BGS2-2 I0 | -0188 | -18BGS-2 I0 | -0182 | -18BS-2 I0 | -0180 | -18B-2 I0 | -6184 | -18APBS-2 I0 | 18 | | |
| | -9167 | -16BGS2-2 I0 | -0168 | -16BGS-2 I0 | -0162 | -16BS-2 I0 | -0160 | -16B-2 I0 | -6164 | -16APBS-2 I0 | 16 | | |
| | -9147 | -14BGS2-2 I0 | -0148 | -14BGS-2 I0 | -0142 | -14BS-2 I0 | -0140 | -14B-2 I0 | -6144 | -14APBS-2 I0 | 14 | | |
| | -9127 | -12BGS2-2 I0 | -0128 | -12BGS-2 I0 | -0122 | -12BS-2 I0 | -0120 | -12B-2 I0 | -6124 | -12APBS-2 I0 | 12 | | |
| | -9107 | -10BGS2-2 I0 | -0108 | -10BGS-2 I0 | -0102 | -10BS-2 I0 | -0100 | -10B-2 I0 | -6104 | -10APBS-2 I0 | 10 | | |
| | -9087 | -08BGS2-2 I0 | -0088 | -08BGS-2 I0 | -0082 | -08BS-2 I0 | -0080 | -08B-2 I0 | -6084 | -08APBS-2 I0 | 8 | | |
| | -9067 | -06BGS2-2 I0 | -0068 | -06BGS-2 I0 | -0062 | -06BS-2 I0 | -0060 | -06B-2 I0 | -6064 | -06APBS-2 I0 | 6 | | |
| | ▼ -9047 | ▼ -04BGS2-2 I0 | ▼ -0048 | ▼ -04BGS-2 I0 | ▼ -0042 | ▼ -04BS-2 I0 | ▼ -0040 | ▼ -04B-2 I0 | ▼ -6044 | ▼ -04APBS-2 I0 | 4 | | |
| | 39-30-9027 | 5566-02BGS2-2 I0 | 39-31-0028 | 5566-02BGS-2 I0 | 39-31-0022 | 5566-02BS-2 I0 | 39-31-0020 | 5566-02B-2 I0 | 39-30-6024 | 5566-02APBS-2 I0 | 2 | | |

| | | | | | | | | | | | | | |
|--|-----------------|-------------|----------------|------------|---------------|-----------|--------------|----------|-----------------|-------------|---------|----------|-----------|
| | EDP NO. | ENG. NO. | EDP NO. | ENG. NO. | EDP NO. | ENG. NO. | EDP NO. | ENG. NO. | EDP NO. | ENG. NO. | EDP NO. | ENG. NO. | CKT. SIZE |
| | 5566-NBGS2-2 I0 | | 5566-NBGS-2 I0 | | 5566-NBS-2 I0 | | 5566-NB-2 I0 | | 5566-NAPBS-2 I0 | | | | |
| | 39-30-9246 | 5566-24BGS2 | 39-31-0247 | 5566-24BGS | 39-31-0241 | 5566-24BS | 39-29-3246 | 5566-24B | 39-30-6243 | 5566-24APBS | 24 | | |
| | ▲ -9226 | ▲ -22BGS2 | ▲ -0227 | ▲ -22BGS | ▲ -0221 | ▲ -22BS | ▲ -3226 | ▲ -22B | ▲ -6223 | ▲ -22APBS | 22 | | |
| | -9206 | -20BGS2 | -0207 | -20BGS | -0201 | -20BS | -3206 | -20B | -6203 | -20APBS | 20 | | |
| | -9186 | -18BGS2 | -0187 | -18BGS | -0181 | -18BS | -3186 | -18B | -6183 | -18APBS | 18 | | |
| | -9166 | -16BGS2 | | -16BGS | -0161 | -16BS | -3166 | -16B | -6163 | -16APBS | 16 | | |
| | -9146 | -14BGS2 | -0147 | -14BGS | -0141 | -14BS | -3146 | -14B | -6143 | -14APBS | 14 | | |
| | -9126 | -12BGS2 | -0127 | -12BGS | -0121 | -12BS | -3126 | -12B | -6123 | -12APBS | 12 | | |
| | -9106 | -10BGS2 | -0107 | -10BGS | -0101 | -10BS | -3106 | -10B | -6103 | -10APBS | 10 | | |
| | -9086 | -08BGS2 | -0087 | -08BGS | -0081 | -08BS | -3086 | -08B | -6083 | -08APBS | 8 | | |
| | -9066 | -06BGS2 | -0067 | -06BGS | -0061 | -06BS | -3066 | -06B | -6063 | -06APBS | 6 | | |
| | ▼ -9046 | ▼ -04BGS2 | ▼ -0047 | ▼ -04BGS | ▼ -0041 | ▼ -04BS | ▼ -3046 | ▼ -04B | ▼ -6043 | ▼ -04APBS | 4 | | |
| | 39-30-9026 | 5566-02BGS2 | 39-31-0027 | 5566-02BGS | 39-31-0021 | 5566-02BS | 39-29-3026 | 5566-02B | 39-30-6023 | 5566-02APBS | 2 | | |
| | EDP NO. | ENG. NO. | EDP NO. | ENG. NO. | EDP NO. | ENG. NO. | EDP NO. | ENG. NO. | EDP NO. | ENG. NO. | | | CKT. SIZE |
| | 5566-NBGS2 | | 5566-NBGS | | 5566-NBS | | 5566-NB | | 5566-NAPBS | | | | |

| | | | | | | | | | |
|--|------------|-------------|------------|------------|-----------------|------------------|----------------|-----------------|-----------|
| | 39-31-0245 | 5566-24BPBS | 39-31-0243 | 5566-24BPB | 39-31-0246 | 5566-24BPBS-2 I0 | 39-31-0244 | 5566-24BPB-2 I0 | 24 |
| | ▲ -0225 | ▲ -22BPBS | ▲ -0223 | ▲ -22BPB | ▲ -0226 | ▲ -22BPBS-2 I0 | ▲ -0224 | ▲ -22BPB-2 I0 | 22 |
| | -0205 | -20BPBS | -0203 | -20BPB | -0206 | -20BPBS-2 I0 | -0204 | -20BPB-2 I0 | 20 |
| | -0185 | -18BPBS | -0183 | -18BPB | -0186 | -18BPBS-2 I0 | -0184 | -18BPB-2 I0 | 18 |
| | -0165 | -16BPBS | -0163 | -16BPB | -0166 | -16BPBS-2 I0 | -0164 | -16BPB-2 I0 | 16 |
| | -0145 | -14BPBS | -0143 | -14BPB | -0146 | -14BPBS-2 I0 | -0144 | -14BPB-2 I0 | 14 |
| | -0125 | -12BPBS | -0123 | -12BPB | -0126 | -12BPBS-2 I0 | -0124 | -12BPB-2 I0 | 12 |
| | -0105 | -10BPBS | -0103 | -10BPB | -0106 | -10BPBS-2 I0 | -0104 | -10BPB-2 I0 | 10 |
| | -0085 | -08BPBS | -0083 | -08BPB | -0086 | -08BPBS-2 I0 | -0084 | -08BPB-2 I0 | 8 |
| | -0065 | -06BPBS | -0063 | -06BPB | -0066 | -06BPBS-2 I0 | -0064 | -06BPB-2 I0 | 6 |
| | ▼ -0045 | ▼ -04BPBS | ▼ -0043 | ▼ -04BPB | ▼ -0046 | ▼ -04BPBS-2 I0 | ▼ -0044 | ▼ -04BPB-2 I0 | 4 |
| | 39-31-0025 | 5566-02BPBS | 39-31-0023 | 5566-02BPB | 39-31-0026 | 5566-02BPBS-2 I0 | 39-31-0024 | 5566-02BPB-2 I0 | 2 |
| | EDP NO. | ENG. NO. | EDP NO. | ENG. NO. | EDP NO. | ENG. NO. | EDP NO. | ENG. NO. | CKT. SIZE |
| | 5566-NBPBS | | 5566-NBPB | | 5566-NBPBS-2 I0 | | 5566-NBPB-2 I0 | | |

PARTS WITH DRAIN HOLES

| | | | | | | | | | | | | |
|---|--------------------------------------|---|------------------------------------|---------------------------|-------------------|--|------------------------|--|---------------------------|--|-----------------------------|---------------------|
| SEE SHEET 1 EC NO: UCP2014-212 DRAWING NO: 2013/11/13 CHKD: J.BELL APPR: FSMITH 2013/11/13 2013/11/13 | QUALITY SYMBOLS ▽=0 ▽=0 ▽=0 | GENERAL TOLERANCES (UNLESS SPECIFIED) | | DIMENSION STYLE IN/MM | | SCALE 1:1 | DESIGN UNITS METRIC | THIRD ANGLE PROJECTION | | | | |
| | | 4 PLACES ± .13 3 PLACES ± .13 2 PLACES ± .13 1 PLACE ± .25 | INCH ± .005 ± .010 ± .010 | DRAWN BY H.HIRAMOTO | DATE '89/04/03 | TITLE MINI FIT JR VERTICAL HEADER ASSEMBLIES WITHOUT PEGS | | MOLEX INCORPORATED | | | | |
| | | ANGULAR ± 3° | | CHECKED BY M.FUKUSHIMA | DATE '94/04/20 | APPROVED BY FSMITH | | DATE 2012/05/04 | MATERIAL NO. SEE TABLE | | DOCUMENT NO. SD-5566-002 | SHEET NO. 3 OF 5 |
| | | DRAFT WHERE APPLICABLE MUST REMAIN WITHIN DIMENSIONS | | | | SIZE C | | THIS DRAWING CONTAINS INFORMATION THAT IS PROPRIETARY TO MOLEX INCORPORATED AND SHOULD NOT BE USED WITHOUT WRITTEN PERMISSION | | | | |

13

12

11

10

9

8

7

6

5

4

3

2

1

COLORED PART NUMBERS

| EDP. NO. | ENG. NO. | EDP. NO. | ENG. NO. | EDP. NO. | ENG. NO. | EDP. NO. | ENG. NO. | EDP. NO. | ENG. NO. | CKT. SIZE | | |
|------------|---------------|------------|-----------------|------------|-----------------|------------|-----------------|------------|--------------|-----------|----------|-----------|
| | | | | | | | | | | 24 | | |
| | | | | | | | | | | 22 | | |
| | | | | | | | | | | 20 | | |
| 46999-0085 | | | | | | | | | | 18 | | |
| | | | | | | | | | | 16 | | |
| | | | | | | | | | | 14 | | |
| | | | | | | | | | | 12 | | |
| | | | | | | | | 46999-0087 | 5566-10AS-V | 10 | | |
| | | | | | | | | | | 8 | | |
| | | | | | | | | | | 6 | | |
| | | | | | | | | | | 4 | | |
| | | | | | | | | | | 2 | | |
| | | | | | | | | | | 24 | | |
| | | | | | | | | 39-35-0248 | 5566-24A-400 | 24 | | |
| | | | | | | | | 39-35-0228 | -22A-400 | 22 | | |
| | | | | | | | | 39-35-0208 | -20A-400 | 20 | | |
| | | | | | | | | 39-35-0188 | -18A-400 | 18 | | |
| | | | | | | 39-33-3169 | 5566-16A-210-BU | 39-35-0168 | -16A-400 | 16 | | |
| | | | | | | | | 39-35-0148 | -14A-400 | 14 | | |
| | | | | | | | | 39-35-0128 | -12A-400 | 12 | | |
| | | | | 39-33-4100 | 5566-10A-210-RE | 39-33-3109 | 5566-10A-210-BU | 39-33-0108 | -10A-400 | 10 | | |
| 46999-0091 | 5566-08AS-GRE | | | | | | | 39-35-0088 | -08A-400 | 8 | | |
| | | | | | | | | 39-35-0068 | -06A-400 | 6 | | |
| | | | | 39-33-4040 | 5566-04A-210-RE | 39-33-3049 | 5566-04A-210-BU | 39-35-0048 | -04A-400 | 4 | | |
| 50-36-2485 | 5566-02AS-GRE | 39-34-5023 | 5566-02A-210-YE | 39-33-4020 | 5566-02A-210-RE | 39-33-3029 | 5566-02A-210-BU | 39-35-0028 | 5566-02A-400 | 2 | | |
| | EDP. NO. | | ENG. NO. | | EDP. NO. | | ENG. NO. | | EDP. NO. | | ENG. NO. | CKT. SIZE |
| | 5566-NAS-GRE | | 5566-NA-210-YE | | 5566-NA-210-RE | | 5566-NA-210-BU | | 5566-NA-400 | | | 24 |
| | | | | | | | | | | | | 22 |
| | | | | | | | | | | | | 20 |
| | | | | | | | | | | | | 18 |
| | | | | 39-33-3166 | 5566-16A-RE | 39-33-3164 | 5566-16A-BU | | | | | 16 |
| 39-33-3145 | 5566-14A-GR | | | | | | | 39-33-3143 | 5566-14A-BL | | | 14 |
| | | | | 39-33-3126 | 5566-12A-RE | 39-33-3124 | 5566-12A-BU | | | | | 12 |
| | | | | 39-33-3106 | 5566-10A-RE | 39-33-3104 | 5566-10A-BU | | | | | 10 |
| | | 39-33-3087 | 5566-08A-YE | 39-33-3086 | 5566-08A-RE | 39-33-3084 | 5566-08A-BU | 39-33-3083 | 5566-08A-BL | | | 8 |
| | | 39-33-3067 | 5566-06A-YE | 39-33-3066 | 5566-06A-RE | 39-33-3064 | 5566-06A-BU | 39-33-3063 | 5566-06A-BL | | | 6 |
| | | | | 39-33-3046 | 5566-04A-RE | 39-33-3044 | 5566-04A-BU | 39-33-3043 | 5566-04A-BL | | | 4 |
| | | 39-33-3027 | 5566-02A-YE | 39-33-3026 | 5566-02A-RE | 39-33-3024 | 5566-02A-BU | 39-33-3023 | 5566-02A-BL | | | 2 |
| | EDP. NO. | | ENG. NO. | | EDP. NO. | | ENG. NO. | | EDP. NO. | | ENG. NO. | CKT. SIZE |
| | 5566-NA-GR | | 5566-NA-YE | | 5566-NA-RE | | 5566-NA-BU | | 5566-NA-BL | | | 24 |

PARTS WITHOUT DRAIN HOLES

SEE SHEET 1
EC NO: UCP2014-212
DRAWN: NGUYEN 2013/11/13
CHKD: BELLM 2013/11/13
APPR: FSMITH 2013/11/27

QUALITY SYMBOLS
▽ = 0
▽ = 0
▽ = 0

GENERAL TOLERANCES (UNLESS SPECIFIED)

| | mm | INCH |
|------------|-------|--------|
| 4 PLACES ± | 0.005 | 0.0002 |
| 3 PLACES ± | 0.005 | 0.0002 |
| 2 PLACES ± | 0.010 | 0.0004 |
| 1 PLACE ± | 0.25 | 0.010 |

ANGULAR ± 3 °

DRAFT WHERE APPLICABLE MUST REMAIN WITHIN DIMENSIONS

DIMENSION STYLE
IN/MM

DRAWN BY H. HIRAMOTO DATE '89/04/03

CHECKED BY M. FUKUSHIMA DATE '94/04/20

APPROVED BY FSMITH DATE 2012/05/04

MATERIAL NO. SEE TABLE

SCALE 1:1

DESIGN UNITS METRIC

THIRD ANGLE PROJECTION

TITLE
MINI FIT JR VERTICAL HEADER ASSEMBLIES WITHOUT PEGS

MOLEX INCORPORATED

SD-5566-002

SHEET NO. 4 OF 5

THIS DRAWING CONTAINS INFORMATION THAT IS PROPRIETARY TO MOLEX INCORPORATED AND SHOULD NOT BE USED WITHOUT WRITTEN PERMISSION

TRAY PACKED PART NUMBERS

| | | | | | | | | | | |
|---------------------------|-------------------|-------------------|------------|-----------------|------------|-----------------|------------|-------------|----------|-----------|
| PARTS WITHOUT DRAIN HOLES | | | | | 39-53-9249 | 5566-24A-210-TA | 39-53-9248 | 5566-24A-TA | 24 | |
| | | | | | | ↑ -22A-210-TA | ↑ -9228 | ↑ -22A-TA | 22 | |
| | | | | | | | | ↑ -20A-TA | 20 | |
| | | | 39-34-1180 | 5566-18A-210-TR | | | | ↑ -18A-TA | 18 | |
| | | | | | | | | ↑ -16A-TA | 16 | |
| | | | | | | | | ↑ -14A-TA | 14 | |
| | | | | | | | | ↑ -12A-TA | 12 | |
| | | | | | | | | ↑ -10A-TA | 10 | |
| | | | | | | | | ↑ -08A-TA | 8 | |
| | 46999-0630 | 5566-06AGS2-BL-TA | | | | | | ↑ -06A-TA | 6 | |
| 46999-0629 | 5566-04AGS2-BL-TA | | | | | | ↑ -04A-TA | 4 | | |
| | | | | | | 5566-02A-210-TA | 39-53-9028 | 5566-02A-TA | 2 | |
| EDP NO. | ENG. NO. | EDP NO. | ENG. NO. | EDP NO. | ENG. NO. | EDP NO. | ENG. NO. | EDP NO. | ENG. NO. | CKT. SIZE |
| 5566-NAGS2-BL-TA | | 5566-NA-210-TR | | 5566-NA-210-TA | | 5566-NA-TA | | | | |

| | | | | | | | | | |
|---|----|-------------|-----------------|---------------------------------------|------------------|--|--------------|------------------------|--|
| SEE SHEET 1 EC NO: UCP2014-212 DRAWN: NGUYEN 2013/11/13 CHKD: BELL 2013/11/13 APPR: FSMITH 2013/11/27 | L7 | DESCRIPTION | QUALITY SYMBOLS | GENERAL TOLERANCES (UNLESS SPECIFIED) | DIMENSION STYLE | SCALE | DESIGN UNITS | THIRD ANGLE PROJECTION | |
| | | | ▽=0 | mm INCH | IN/MM | 1:1 | METRIC | ☉ | |
| | | | ▽=0 | 4 PLACES ± .005 | DRAWN BY DATE | MINI FIT JR VERTICAL HEADER ASSEMBLIES WITHOUT PEGS MOLEX INCORPORATED SD-5566-002 | | | |
| | | | ▽=0 | 3 PLACES ± .010 | CHECKED BY DATE | | | | |
| | | | ▽=0 | 2 PLACES ± .015 | APPROVED BY DATE | | | | |
| | | | 1 PLACE ± .25 | FSMITH 2012/05/04 | MATERIAL NO. | DOCUMENT NO. | SHEET NO. | | |
| | | | ANGULAR ± 3° | | SEE TABLE | | 5 OF 5 | | |

| | | | |
|--|--|---|--|
| DRAFT WHERE APPLICABLE MUST REMAIN WITHIN DIMENSIONS | | THIS DRAWING CONTAINS INFORMATION THAT IS PROPRIETARY TO MOLEX INCORPORATED AND SHOULD NOT BE USED WITHOUT WRITTEN PERMISSION | |
|--|--|---|--|