

NOTES:

1. MATERIALS:

- CONNECTOR HOUSING: HIGH TEMPERATURE THERMOPLASTIC GLASS FILLED, UL 94V-0
- EMI CAGE: NICKEL SILVER ALLOY
- EMI FINGERS: COPPER ALLOY
- TERMINALS: COPPER ALLOY
- LIGHT PIPES: HALOGEN FREE, CLEAR POLYCARBONATE

2. FINISHES:

- EMI FINGERS: 0.50μM NICKEL
- CONTACT AREA: 0.76μM MIN GOLD OVER 2.54μM MIN NICKEL
- TAIL AREA: 0.76μM-1.52μM TIN OVER 2.54μM MIN NICKEL

3. PRODUCT SPECIFICATION: PS-76866-001

4. PACKAGING SPECIFICATION: PK-76866-002

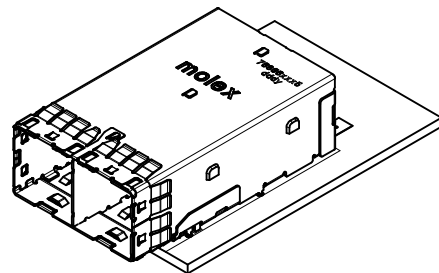
- CONNECTORS WILL BE IN ONE BOX
- LIGHT PIPES ASSEMBLIES WILL BE IN ONE BOX
- BOTH BOXES WILL BE IN A MASTER CARTON

5. MATES WITH: MOLEX CABLE SERIES 111068 & 111073

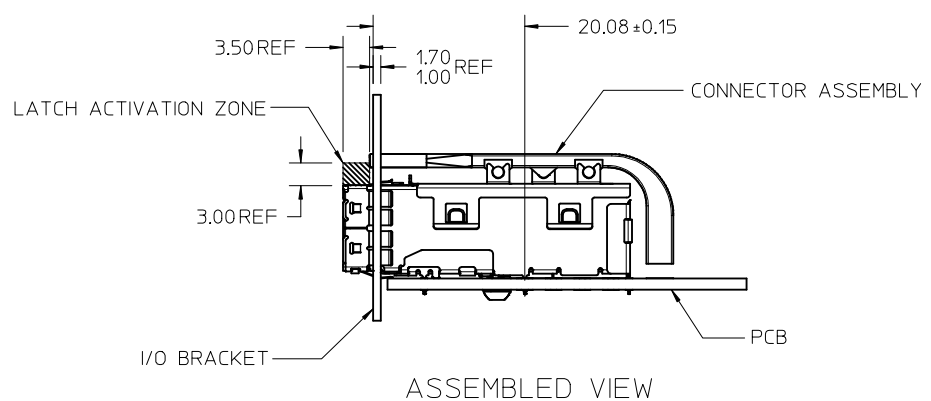
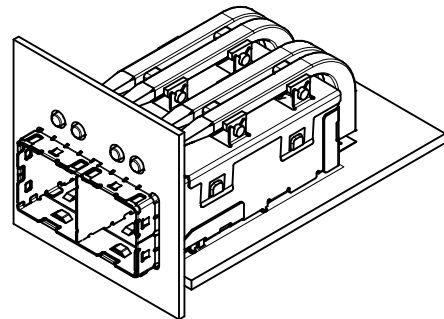
6. RECOMMENDED MOUNTING HARDWARE: REFER TO APPLICATION SPECIFICATION AS-76866-001

7. PLUG MODULE PCB LAYOUT REFER TO SD-76866-9900

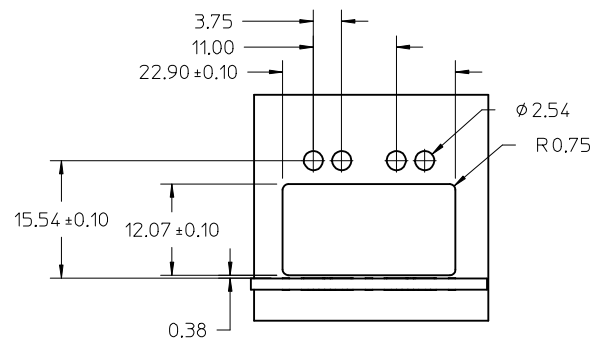
REV'D NOTES IEC NO: UCP2015-5060 DRW:KCALLAGHAN 2015/06/01 CHKD:TMCCLELLAND 2015/06/03 APPR:TMCCLELL 2015/06/18	QUALITY SYMBOLS	GENERAL TOLERANCES (UNLESS SPECIFIED)		DIMENSION STYLE	SCALE	DESIGN UNITS	THIRD ANGLE PROJECTION
		mm	INCH	MM ONLY	2:1	METRIC	
	▽=0	4 PLACES ± ---	± ---	DRAWN BY	DATE	TITLE	
	▽=0	3 PLACES ± ---	± ---	KLANG	2009/06/02	IPASS PLUS HD 1X2 ASSEMBLY LIGHT PIPE	
▽=0	2 PLACES ± 0.13	± ---	CHECKED BY	DATE	DOCUMENT NO.		
	1 PLACE ± 0.25	± ---	TMCCLELLAND	2013/10/16	76866-0125 SD-76866-025		
	0 PLACE ±	±	APPROVED BY	DATE	SHEET NO.		
	ANGULAR ±1/2°		MBANAKIS	2010/01/14	1 OF 5		
	DRAFT WHERE APPLICABLE MUST REMAIN WITHIN DIMENSIONS		MATERIAL NO.	THIS DRAWING CONTAINS INFORMATION THAT IS PROPRIETARY TO MOLEX. INCORPORATED AND SHOULD NOT BE USED WITHOUT WRITTEN PERMISSION			
D6							



AS APPLIED TO PCB

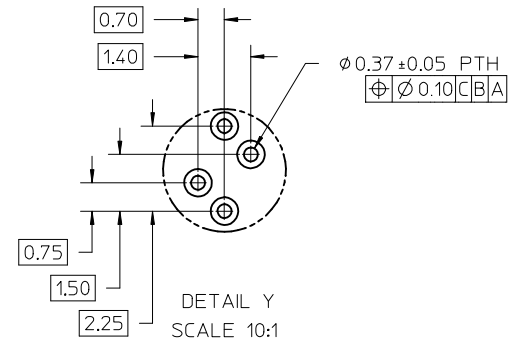
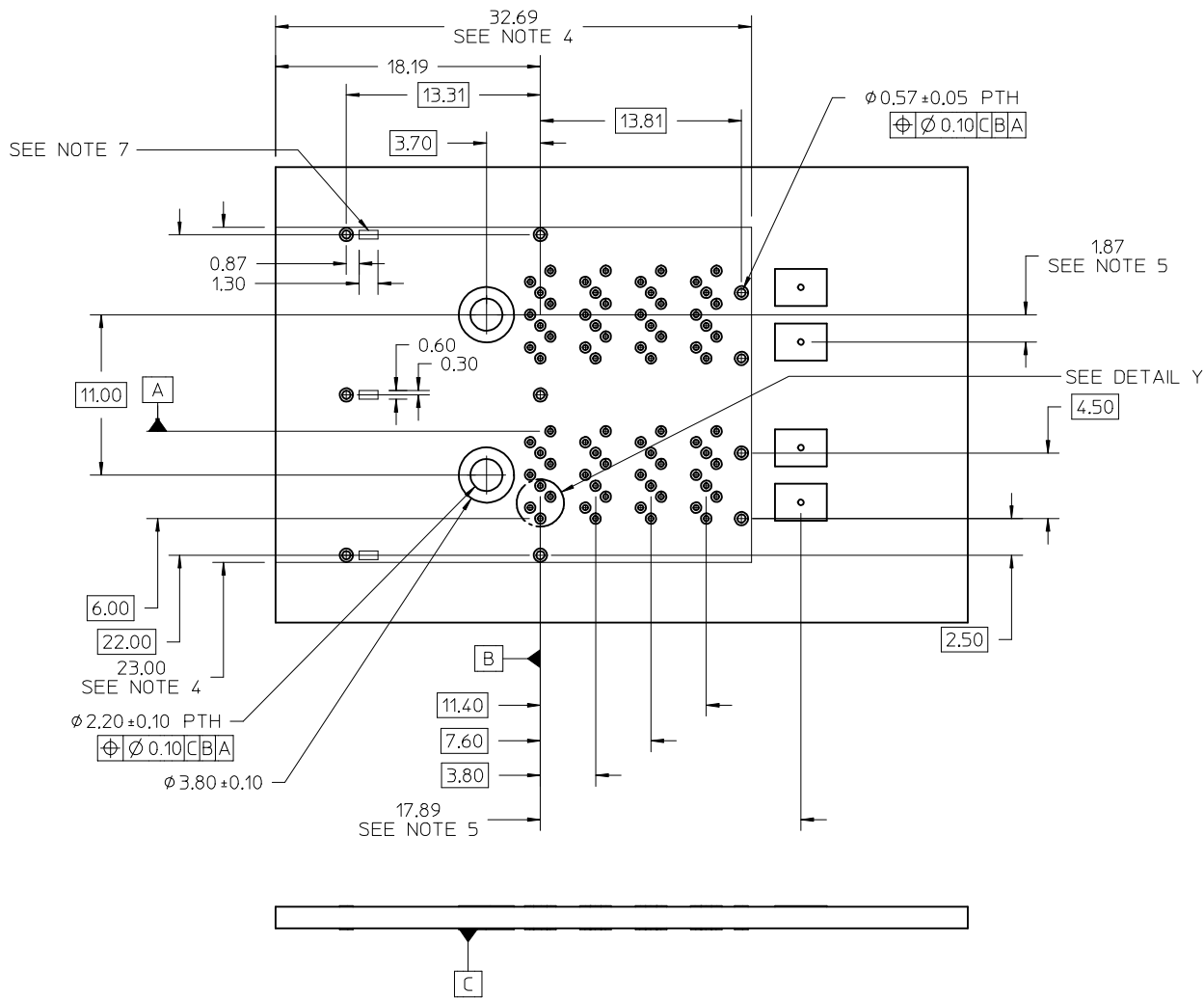


ASSEMBLED VIEW



I/O BRACKET CUT OUT
(BRACKET NOT SUPPLIED)

SEE SHEET 1 IEC NO: UCP2015-5060 DRINKCALLAGHAN 2015/06/01 CHKD:TMCCLELLAND 2015/06/03 APPR:TMCCLELL 2015/06/18	QUALITY SYMBOLS	GENERAL TOLERANCES (UNLESS SPECIFIED)	DIMENSION STYLE	SCALE	DESIGN UNITS	THIRD ANGLE PROJECTION
	▽=0	mm INCH	MM ONLY	2:1	METRIC	
	▽=0	4 PLACES ± --- ± ---	DRAWN BY DATE	TITLE		
	▽=0	3 PLACES ± --- ± ---	KLANG 2009/06/02	IPASS PLUS HD		
		2 PLACES ± 0.13 ± ---	CHECKED BY DATE	1X2 ASSEMBLY		
		1 PLACE ± 0.25 ± ---	TMCCLELLAND 2013/10/16	LIGHT PIPE		
		0 PLACE ± ±	APPROVED BY DATE	molex DOCUMENT NO. SD-76866-025 SHEET NO. 2 OF 5		
		ANGULAR ±1/2°	MBANAK IS 2010/01/14			
D6	DESCRIPTION	DRAFT WHERE APPLICABLE MUST REMAIN WITHIN DIMENSIONS	SEE SHEET 1			
			SIZE C	THIS DRAWING CONTAINS INFORMATION THAT IS PROPRIETARY TO MOLEX INCORPORATED AND SHOULD NOT BE USED WITHOUT WRITTEN PERMISSION		



NOTES:

1. RECOMMENDED DRILL SIZE AND ANNULAR RING FOR 0.37 ϕ FINISHED PTH - REFER TO APPLICATION SPECIFICATION AS-76866-001
2. MINIMUM RECOMMENDED SPACING IS 25.00MM
3. MINIMUM PCB THICKNESS: 1.57MM
4. CONNECTOR KEEP OUT AREA
5. LOCATION OF LED CENTERLINE
6. RECOMMENDED DRILL SIZE AND ANNULAR RING FOR 0.57 ϕ FINISHED PTH - REFER TO APPLICATION SPECIFICATION AS-76866-001
7. CAGE STAND OFF AREA, NO TRACES ON SURFACE OF PCB IN THESE AREAS

RECOMMENDED FOOTPRINT

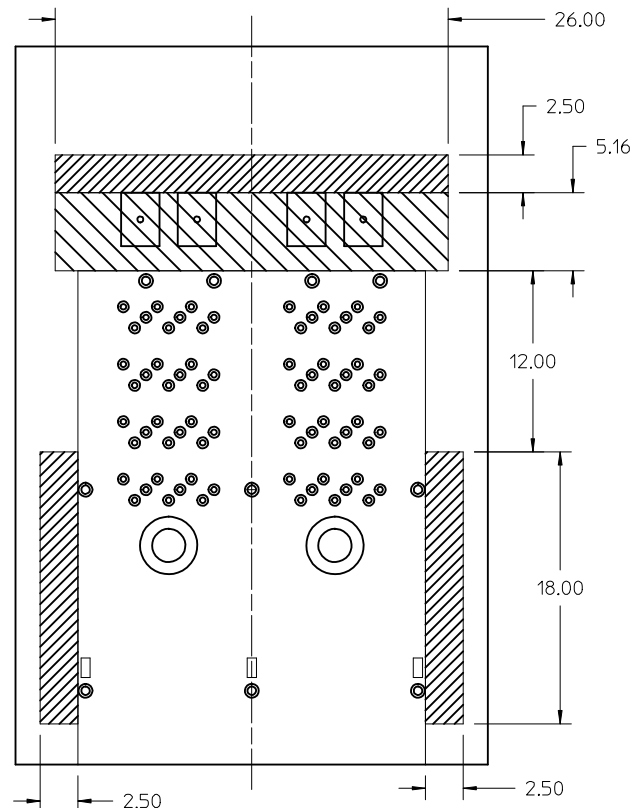
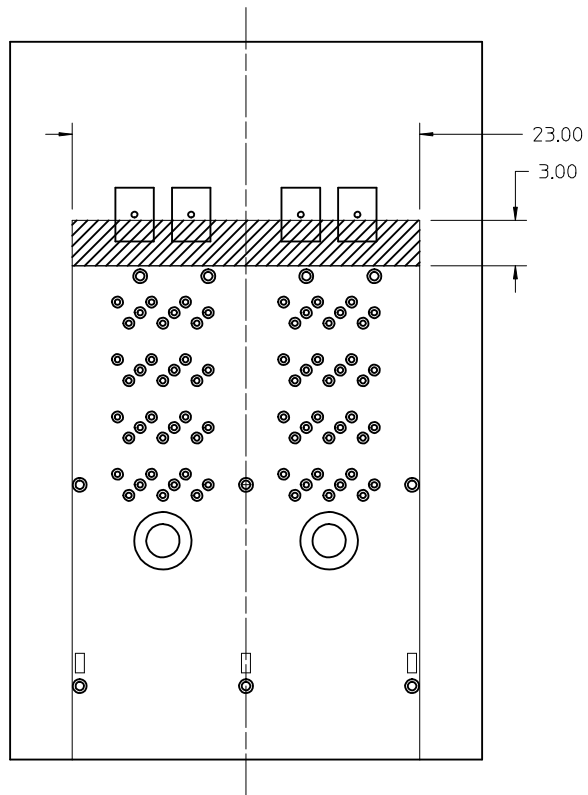
SEE SHEET 1 EC NO: UCP2015-5060 DRINKKALLAGHAN 2015/06/01 CHKD:TMCCLELLAND 2015/06/03 APPR:TMCCLELL 2015/06/18 D6	DESCRIPTION REV:	QUALITY SYMBOLS	GENERAL TOLERANCES (UNLESS SPECIFIED)	DIMENSION STYLE MM ONLY	SCALE 4:1	DESIGN UNITS METRIC	THIRD ANGLE PROJECTION
		▽=0	mm INCH	DRAWN BY DATE KLANG 2009/06/02	TITLE IPASS PLUS HD 1X2 ASSEMBLY LIGHT PIPE	molex DOCUMENT NO. SD-76866-025 SHEET NO. 3 OF 5	
		▽=0	4 PLACES ± --- ± ---	CHECKED BY DATE TMCCLELLAND 2013/10/16			
		▽=0	3 PLACES ± --- ± ---	APPROVED BY DATE MBANAKIS 2010/01/14			
	2 PLACES ± 0.13 ± ---	MATERIAL NO. SEE SHEET 1					
		1 PLACE ± 0.25 ± ---	DRAFT WHERE APPLICABLE MUST REMAIN WITHIN DIMENSIONS		THIS DRAWING CONTAINS INFORMATION THAT IS PROPRIETARY TO MOLEX INCORPORATED AND SHOULD NOT BE USED WITHOUT WRITTEN PERMISSION		
		0 PLACE ± ±	ANGULAR ±1/2°				

RECOMMENDED TOOLING KEEP OUT AREAS

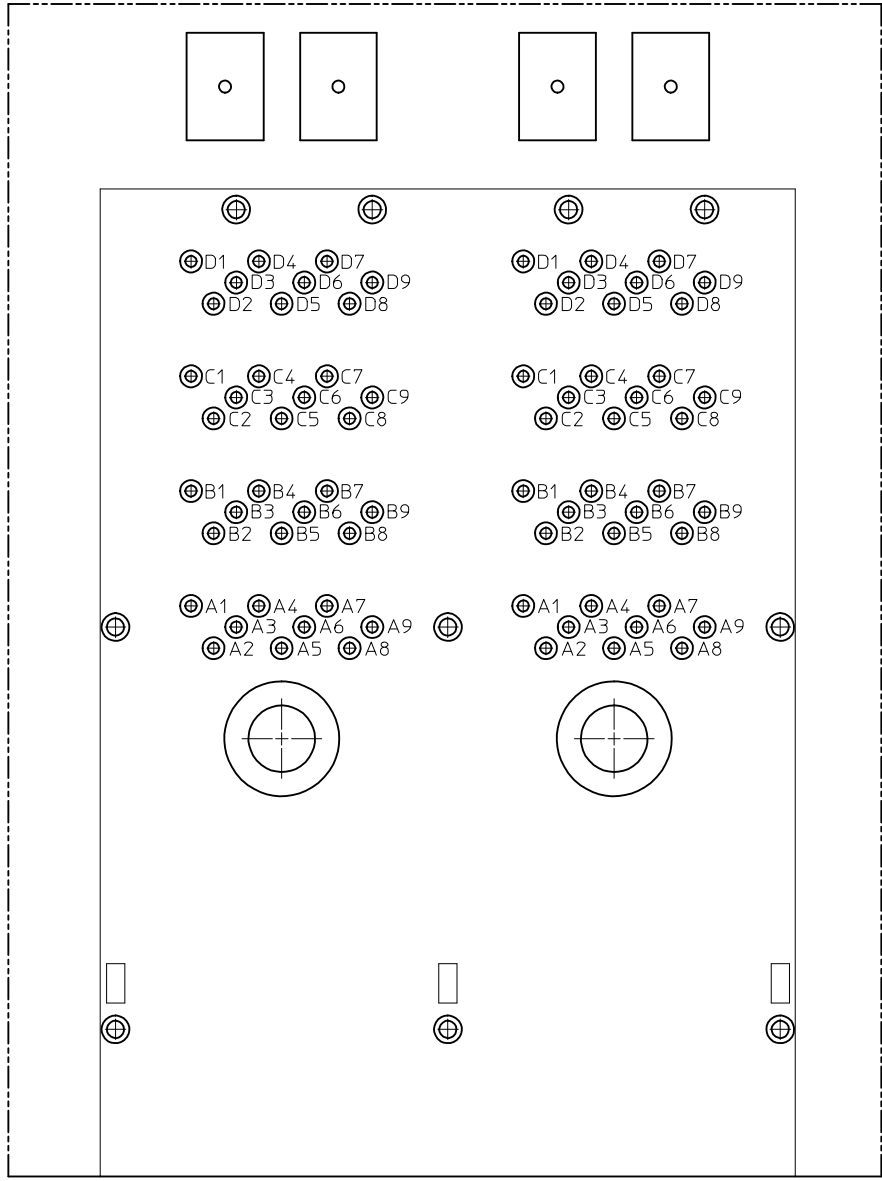
RECOMMENDED INSERTION TOOL
KEEP OUT AREA
NO COMPONENTS IN THIS AREA
MORE THAN 7.50 mm TALL



RECOMMENDED EXTRACTION TOOL
KEEP OUT AREA
NO COMPONENTS IN THESE AREAS
MORE THAN 5.00 mm TALL



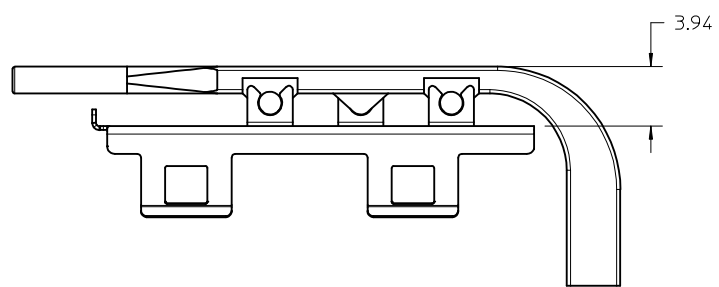
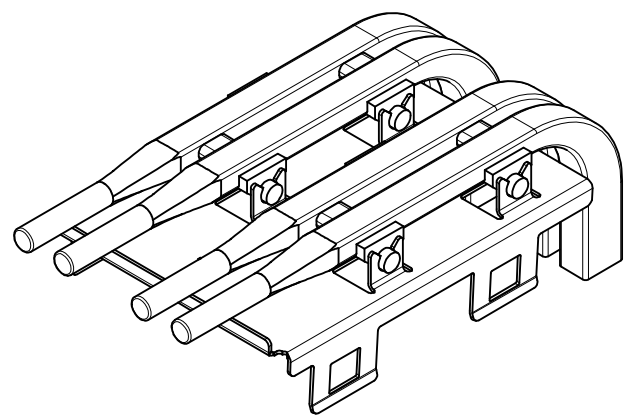
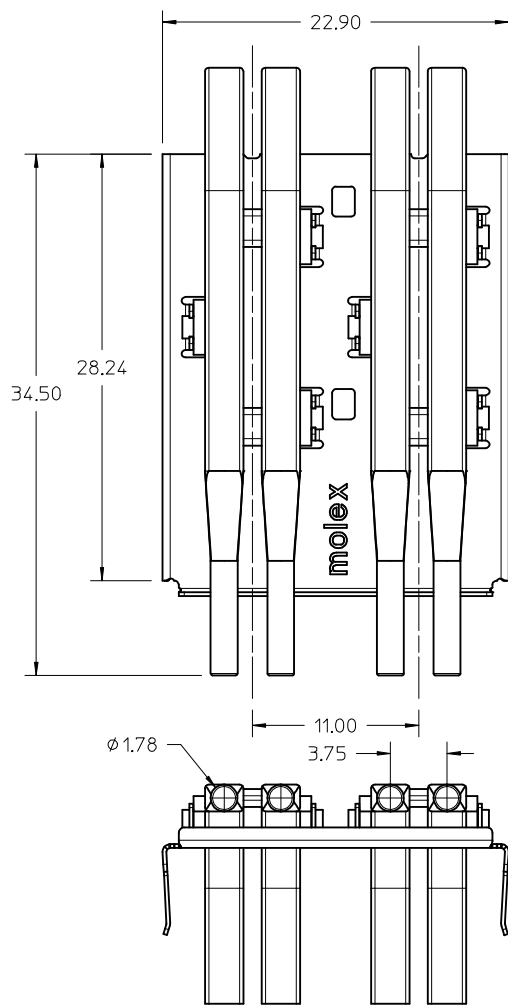
SEE SHEET 1 EC NO: UCP2015-5060 DRWN: KCALLAGHAN 2015/06/01 CHKD: TMCCLELLAND 2015/06/03 APPR: TMCCLELL 2015/06/18	QUALITY SYMBOLS ▽=0 ▽=0 ▽=0	GENERAL TOLERANCES (UNLESS SPECIFIED) <table border="1"> <tr> <th></th> <th>mm</th> <th>INCH</th> </tr> <tr> <td>4 PLACES</td> <td>± ---</td> <td>± ---</td> </tr> <tr> <td>3 PLACES</td> <td>± ---</td> <td>± ---</td> </tr> <tr> <td>2 PLACES</td> <td>± 0.13</td> <td>± ---</td> </tr> <tr> <td>1 PLACE</td> <td>± 0.25</td> <td>± ---</td> </tr> </table>		mm	INCH	4 PLACES	± ---	± ---	3 PLACES	± ---	± ---	2 PLACES	± 0.13	± ---	1 PLACE	± 0.25	± ---	DIMENSION STYLE MM ONLY DRAWN BY DATE KLANG 2009/06/02 CHECKED BY DATE TMCCLELLAND 2013/10/16 APPROVED BY DATE MBANAKIS 2010/01/14	SCALE 4:1 DESIGN UNITS METRIC THIRD ANGLE PROJECTION	TITLE IPASS PLUS HD 1X2 ASSEMBLY LIGHT PIPE MOLEX INCORPORATED
		mm	INCH																	
	4 PLACES	± ---	± ---																	
	3 PLACES	± ---	± ---																	
2 PLACES	± 0.13	± ---																		
1 PLACE	± 0.25	± ---																		
D6	DRAFT WHERE APPLICABLE MUST REMAIN WITHIN DIMENSIONS	MATERIAL NO. SEE SHEET 1	DOCUMENT NO. SD-76866-025	SHEET NO. 4 OF 5																
THIS DRAWING CONTAINS INFORMATION THAT IS PROPRIETARY TO MOLEX INCORPORATED AND SHOULD NOT BE USED WITHOUT WRITTEN PERMISSION																				



CIRCUIT IDENTIFICATION

Partial1
SCALE 8:1

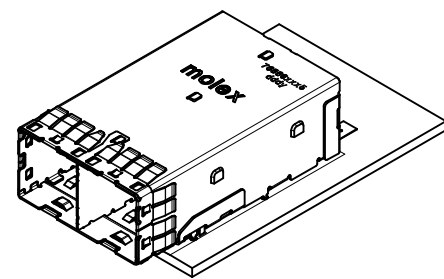
SEE SHEET 1 EC NO: UCP2015-5060 DRINKKALLAGHAN 2015/06/01 CHKD: TMCCLELLAND 2015/06/03 APPR: TMCCLELL 2015/06/18	QUALITY SYMBOLS ▽=0 ▽=0 ▽=0	GENERAL TOLERANCES (UNLESS SPECIFIED) mm INCH 4 PLACES ± --- ± --- 3 PLACES ± --- ± --- 2 PLACES ± 0.13 ± --- 1 PLACE ± 0.25 ± --- 0 PLACE ± ±	DIMENSION STYLE MM ONLY DRAWN BY DATE KLANG 2009/06/02 CHECKED BY DATE TMCCLELLAND 2013/10/16 APPROVED BY DATE MBANAKIS 2010/01/14	SCALE 8:1 DESIGN UNITS METRIC THIRD ANGLE PROJECTION	TITLE IPASS PLUS HD 1X2 ASSEMBLY LIGHT PIPE molex	MATERIAL NO. SEE SHEET 1 DOCUMENT NO. SD-76866-025	SHEET NO. 5 OF 5
	DRAFT WHERE APPLICABLE MUST REMAIN WITHIN DIMENSIONS	ANGULAR ±1/2°	THIS DRAWING CONTAINS INFORMATION THAT IS PROPRIETARY TO MOLEX INCORPORATED AND SHOULD NOT BE USED WITHOUT WRITTEN PERMISSION				
	REV D6	DESCRIPTION	SIZE C				



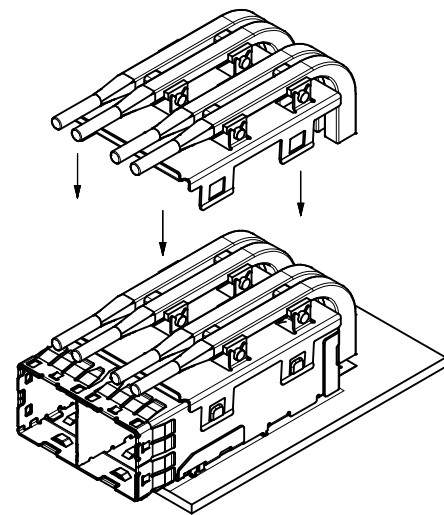
NOTES:

1. MATERIALS:
 LIGHT PIPE: HALOGEN FREE, CLEAR POLYCARBONATE
 COVER: STAINLESS STEEL ALLOY
2. PACKAGING SPECIFICATION: PK-76994-001
3. MATES WITH: 76866-00*5

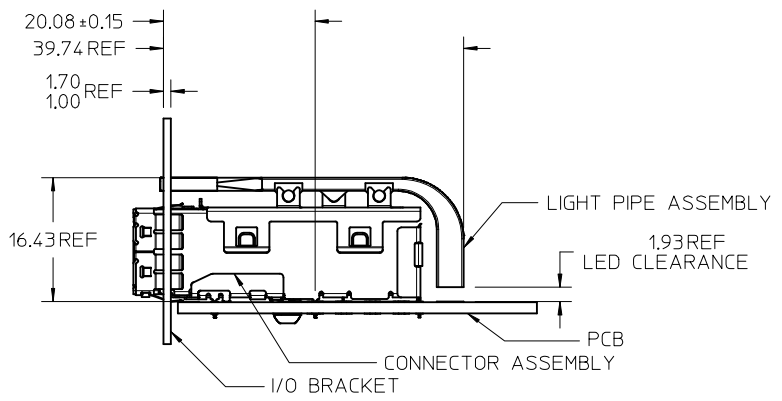
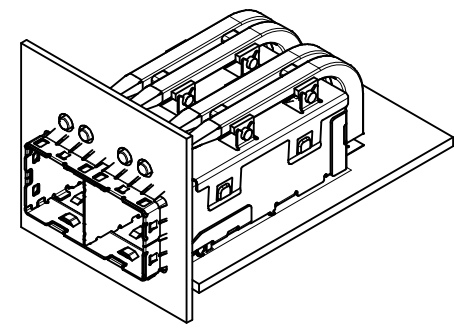
UPDATED MATL SPEC EC NO: UCP2014-1665 DRWN:TMCCLELL 2013/10/15 CHKD:TMCCLELLAND 2013/10/16 APPR:MBANAKIS 2013/10/17	QUALITY SYMBOLS ∇=0 ∇=0 ∇=0	GENERAL TOLERANCES (UNLESS SPECIFIED)		DIMENSION STYLE MM ONLY	SCALE 4:1	DESIGN UNITS METRIC	THIRD ANGLE PROJECTION		
		4 PLACES ± --- ± ---	3 PLACES ± --- ± ---	2 PLACES ± 0.13 ± ---	1 PLACE ± 0.25 ± ---	0 PLACE ± ±	DRAWN BY DATE KLANG 2009/06/03		
		ANGULAR ±1/2°		DRAFT WHERE APPLICABLE MUST REMAIN WITHIN DIMENSIONS		CHECKED BY DATE TMCCLELLAND 2013/10/16		APPROVED BY DATE MBANAKIS 2010/01/14	
		MATERIAL NO. 76994-0003		DOCUMENT NO. SD-76994-003		SHEET NO. 1 OF 2			



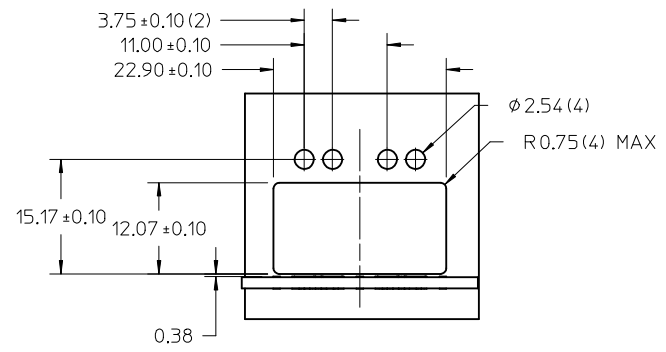
CONNECTOR AS APPLIED TO PCB



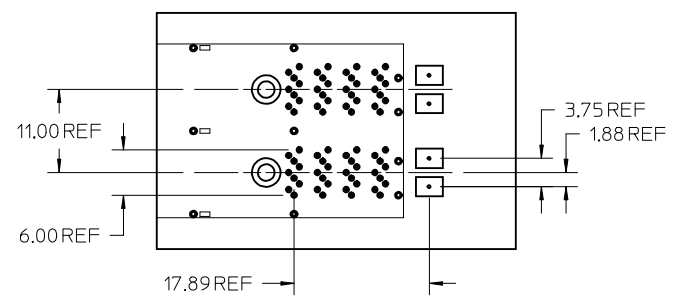
LIGHT PIPES AS APPLIED TO CONNECTOR



ASSEMBLED VIEW



I/O BRACKET CUT OUT (BRACKET NOT SUPPLIED)



SEE SHEET 1 EC NO: UCP2014-1665 DRAWN: MCLELL 2013/10/15 CHKD: MCLELLAND 2013/10/16 APPR: MBANAKIS 2013/10/17	QUALITY SYMBOLS ▽=0 ▽=0 ▽=0	GENERAL TOLERANCES (UNLESS SPECIFIED)		DIMENSION STYLE MM ONLY	SCALE 2:1	DESIGN UNITS METRIC	THIRD ANGLE PROJECTION		
		4 PLACES ± --- ± --- 3 PLACES ± --- ± --- 2 PLACES ± 0.13 ± --- 1 PLACE ± 0.25 ± ---	mm INCH	DRAWN BY DATE KLANG 2009/06/03	CHECKED BY DATE TMCCLELLAND 2013/10/16	TITLE IPASS PLUS HD 1X2 LIGHT PIPE & CLIP ASSEMBLY			
		ANGULAR ± 1/2°		APPROVED BY DATE MBANAKIS 2010/01/14	MATERIAL NO.		MOLEX INCORPORATED		
		DRAFT WHERE APPLICABLE MUST REMAIN WITHIN DIMENSIONS		SEE SHEET 1		DOCUMENT NO. SD-76994-003	SHEET NO. 2 OF 2		