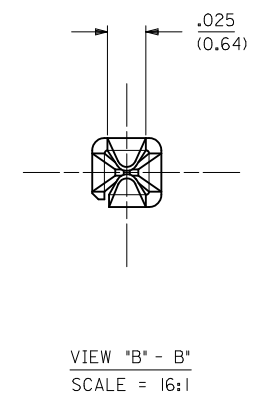
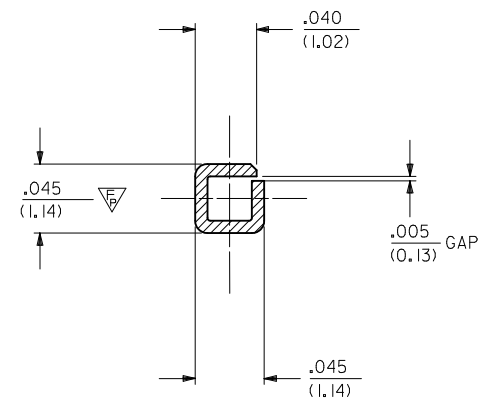


- NOTES:
- MATERIAL: PHOSPHOR BRONZE ALLOY C52100
 - FINISH:
 - (A) - SELECTIVE GOLD PLATE .000030/(0.00076)MIN., AND SELECTIVE TIN .000100/(0.00254) OVER .000050/(0.00127) NICKEL OVERALL.
 - (B) - .000100/(0.00254) TIN OVER .000050/(0.00127) NICKEL.
 - PRODUCT SPECIFICATION: TBD.
 - PACKAGING INFORMATION: SEE SHEET 2 FOR CHAIN PK-5556-003 FOR LOOSE TERMINALS
 - FOR USE WITH ASSEMBLY NO. A-30490-0001.
- △ - MEASURING POINT FOR PLATING THICKNESS.
 ▽ - 7-TERMINAL CANNOT BE USED IN 42475 OR 43558 HOUSINGS.
 △ - GOLD PLATING AREA.
 ▽ - TIN PLATING AREA.



30490-9902	B	CHAIN	RIGHT TO LEFT (SEE SHT. 2)	4000	18-24
30490-9802	A	CHAIN	RIGHT TO LEFT (SEE SHT. 2)	4000	18-24
30490-2012	B	LOOSE		4000	18-24
30490-2002	B	CHAIN	LEFT TO RIGHT (SEE SHT. 2)	4000	18-24
30490-1012	A	LOOSE		4000	18-24
30490-1002	A	CHAIN	LEFT TO RIGHT (SEE SHT. 2)	4000	18-24
ITEM NO.	PLATING	FORM	UNREEL DIRECTION	QTY. PER REEL	WIRE GAGE REF.
AFTER PLATING					

CORRECTED NOTE 4
 EC NO: UAU2011-0264
 DRWING: JAGUILAR 2010/09/30
 CHKD: MKNACK
 APPR: MKNACK 2011/01/28

QUALITY SYMBOLS	GENERAL TOLERANCES (UNLESS SPECIFIED)	DIMENSION STYLE	SCALE	DESIGN UNITS	THIRD ANGLE PROJECTION
▽=0	mm INCH	IN/MM	8:1	INCH	
▽=0	4 PLACES ± --- ± ---	DRAWN BY	DATE	TITLE	
▽=2	3 PLACES ± --- ± .010	BBW	92/ 1/22	CRIMP TERMINAL MINI-FIT STYLE	
	2 PLACES ± 0.25 ± .015	CHECKED BY	DATE		
	1 PLACE ± 0.38 ± ---	APPROVED BY	DATE		
	ANGULAR ± 5 °	MKNACK	2011/01/28		
	DRAFT WHERE APPLICABLE MUST REMAIN WITHIN DIMENSIONS	MATERIAL NO.	DATE	MOLEX INCORPORATED	
		SEE CHART	2011/01/28	SD-30490-***2	
		SIZE		SHEET NO. 1 OF 2	
				THIS DRAWING CONTAINS INFORMATION THAT IS PROPRIETARY TO MOLEX INCORPORATED AND SHOULD NOT BE USED WITHOUT WRITTEN PERMISSION	

13

12

11

10

9

8

7

6

30490

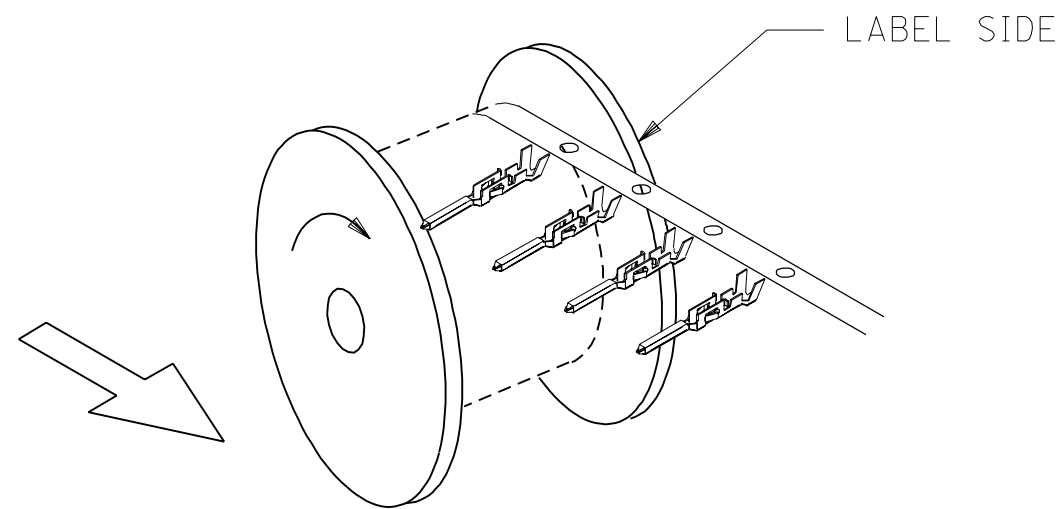
4

3

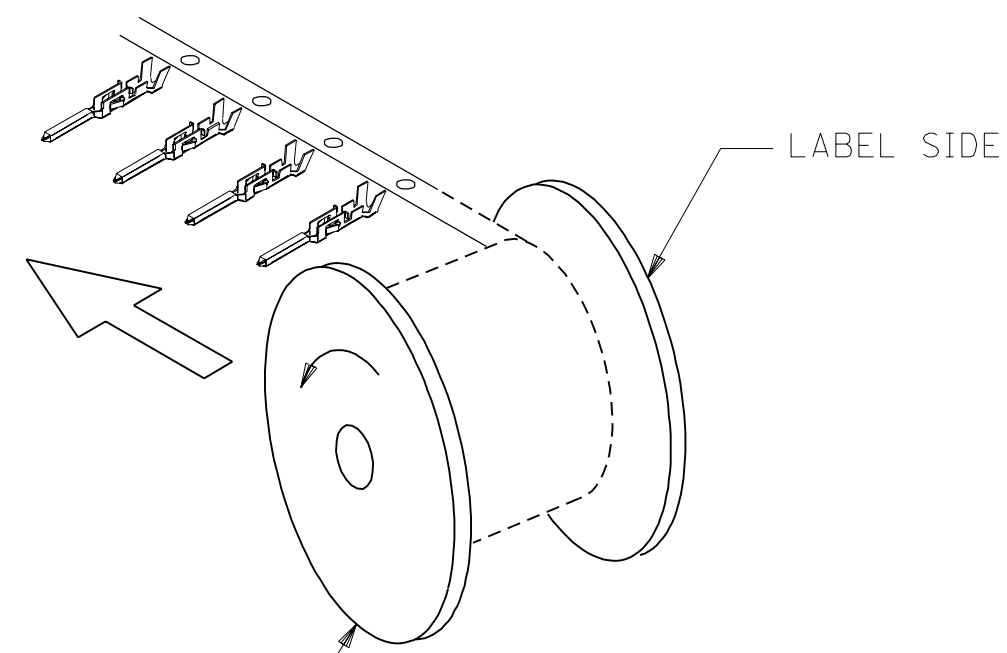
2

1

LEFT TO RIGHT
UNREELING



RIGHT TO LEFT
UNREELING



RED FLANGE NO. 70180-0659
 EDP NO. 85-06-0002
 FOR (RED) 3 REEL CARTON
 PART NO. 70180-0479
 EDP NO. 85-01-0479

THIS IS SPECIAL PACKAGING -
 ALL NON-AIRBAG CUSTOMERS
 WILL USE STANDARD PACKAGING

C	SEE SHEET 1
	PDC 94/12/09

MFG.	SH.	REV.	LTR.	REVISIONS
------	-----	------	------	-----------

DIMENSIONS SHOWN (METRIC) INCH	
UNLESS OTHERWISE SPECIFIED TOLERANCES: ANGULAR ± 1/2°	
	INCH METRIC
3 PLACE	± .005 ---
2 PLACE	± .01 ± 0.13
1 PLACE	--- ± 0.25
DRAFT WHERE APPLICABLE MUST REMAIN WITHIN DIMENSIONS	

▽ = 0 ▼ = 0 REVISE ONLY ON CAD SYSTEM

TITLE
 CRIMP TERMINAL
 MINI-FIT STYLE

MOLEX INCORPORATED SHEET NO. DATE
 LISLE, ILL. 60532 U.S.A. 2 92/1/22

DRWG. BY: BBW CHK'D. BY: APP'D. BY: SCALE: :

PART NO. DRWG. NO.
 30490-***2 SD-30490-***2

FILE NAME THIS DRAWING CONTAINS INFORMATION THAT IS PROPRIETARY TO MOLEX INC. AND SHOULD NOT BE USED WITHOUT WRITTEN PERMISSION. DIV. SIZE
 ST304902 DGN A C

13

12

11

10

9

8

7

6

5

4

3

2

I NO P.S.

30490