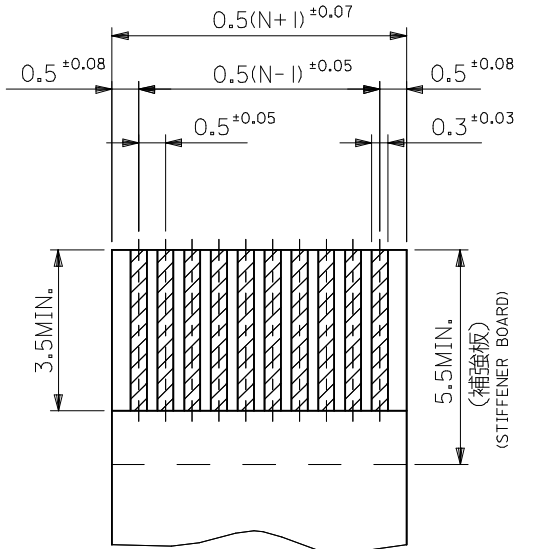
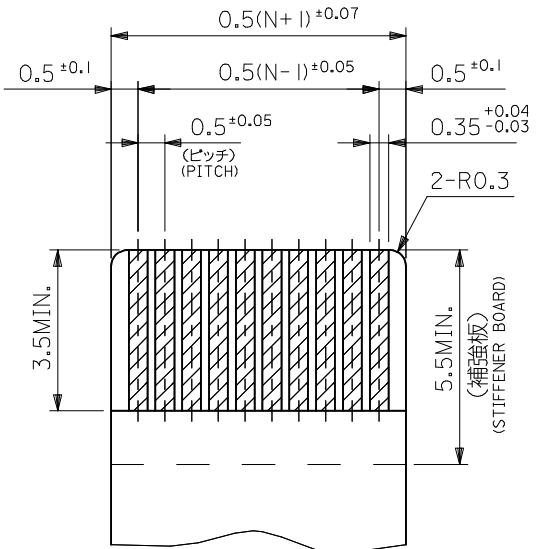
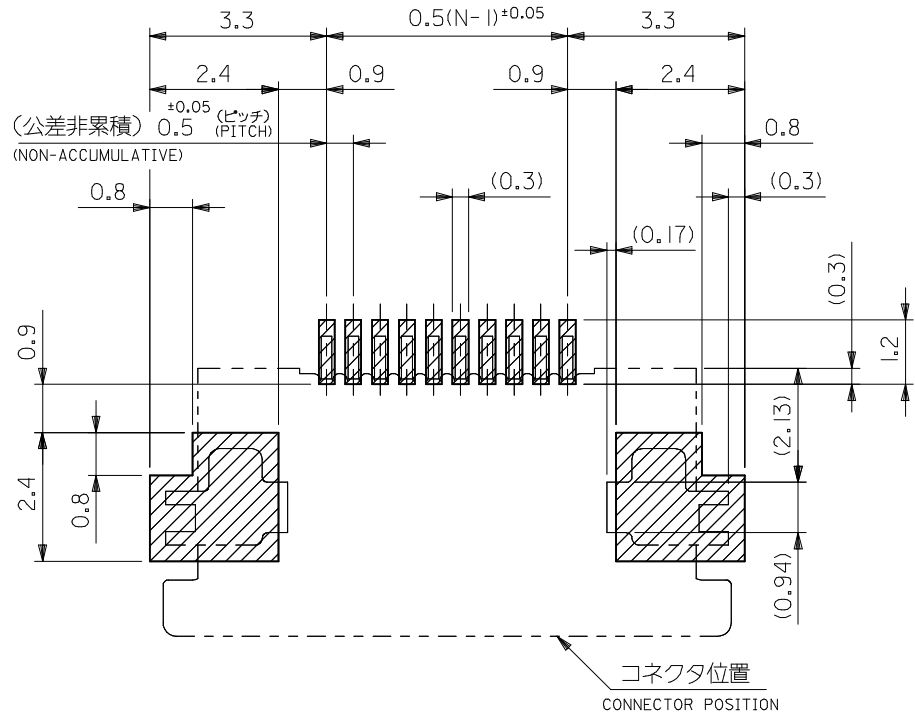


30.5	29.3	25.65	24.5	54104-5096	54104 - 5039	50
28.5	27.3	23.65	22.5	54104-4696	54104 - 4639	46
28.0	26.8	23.15	22.0	54104-4596	54104 - 4539	45
27.0	25.8	22.15	21.0	54104-4396	54104 - 4339	43
25.5	24.3	20.65	19.5	54104-4096	54104 - 4039	40
24.5	23.3	19.65	18.5	54104-3896	54104 - 3839	38
23.5	22.3	18.65	17.5	54104-3696	54104 - 3639	36
23.0	21.8	18.15	17.0	54104-3596	54104 - 3539	35
22.5	21.3	17.65	16.5	54104-3496	54104 - 3439	34
22.0	20.8	17.15	16.0	54104-3396	54104 - 3339	33
21.5	20.3	16.65	15.5	54104-3296	54104 - 3239	32
20.5	19.3	15.65	14.5	54104-3096	54104 - 3039	30
D	C	B	A	EMBOSSED TAPE		MATERIAL NO.
				ORDER No. オータ-番号		CIRCUIT

金具
FITTING NAIL

REVISED EC NO: J2008-4308 DRWN:WABEI 2008/06/27 CHKD:THARUYAMA 2008/06/30 APPR:NUKITA 2008/06/30	GENERAL TOLERANCES (UNLESS SPECIFIED)		DIMENSION STYLE MM ONLY		SCALE ---	DESIGN UNITS METRIC	THIRD ANGLE PROJECTION
	10 UNDER	±0.2	DRAWN BY Y. SAKIYAMA	DATE '04/01/22	TITLE 0.5 FPC CONN ZIF HSG ASSY FOR SMT RA UPR CONT -LEAD FREE-		
	10 OVER 30 UNDER	±0.25	CHECKED BY M. SASAO	DATE '04/01/22	MOLEX INCORPORATED		
	30 OVER	±0.3	APPROVED BY M. SASAO	DATE '04/01/22	DOCUMENT NO. SD-54104-071	SHEET NO. 1 OF 2	
	ANGULAR ±3°		DRAFT WHERE APPLICABLE MUST REMAIN WITHIN DIMENSIONS		THIS DRAWING CONTAINS INFORMATION THAT IS PROPRIETARY TO MOLEX INCORPORATED AND SHOULD NOT BE USED WITHOUT WRITTEN PERMISSION		



適合FPC推奨寸法
 APPLICABLE FPC
 RECOMMENDED DIMENSION
 (仕上がり厚さ: 0.3±0.03)
 (THICKNESS: 0.3±0.03)

適合FFC推奨寸法
 APPLICABLE FFC
 RECOMMENDED DIMENSION
 (仕上がり厚さ: 0.3±0.03)
 (THICKNESS: 0.3±0.03)

参考基板レイアウト
 RECOMMENDED P.C. BOARD
 PATTERN DIMENSION (REF.)
 (マウント面)
 (MOUNTING SIDE)

コネクタ位置
 CONNECTOR POSITION

注記 NOTES

I. 使用材料 MATERIAL

- ハウジング : 46ナイロン, UL94V-0 HOUSING 46NYLON
- アクチュエータ : PPS, UL94V-0 ACTUATOR
- ターミナル : リン青銅, ニッケル下地 鍍ビスマスマッキ (t=0.2) TERMINAL PHOS-BRONZE, TIN-BISMUTH OVER NICKEL PLATING. (t=0.2)
- 金具 : リン青銅, ニッケル下地 鍍メッキ (t=0.2) FITTING NAIL PHOS-BRONZE, TIN OVER NICKEL PLATING. (t=0.2)

- エンボステープ梱包時は、アクチュエータがロックした状態とする。
 IN THE PACKAGE, ACTUATOR OF PART NO. 54104-***39 SHOULD BE LOCKED.
- ハンダテール半田付け面のスレ量、及び金具半田付け面のスレ量は、基準面 H に対し上方向 0.1 MAX.、下方向 0.15 MAX. とし、相互のバラツキ量は、0.1 MAX. とする。
 MISALIGNMENT OF SOLDER TAILS AND FITTING NAILS FROM UPPER DIRECTION: 0.1 MAX., LOWER DIRECTION: 0.15 MAX. OFFSET BETWEEN UPPER AND LOWER 0.1 MAX. H
- 偶数極に適用。
 APPLY FOR EVEN CIRCUIT.
- パターンはくり止め用金具
 FITTING NAIL FOR PREVENTION OF PEELING OF P.C.B. PATTERN.
- 本製品は 54104-***37 の鉛フリー品である。
 THIS PRODUCT IS LEAD FREE OF 54104-***37.

FPC/FFCについて

打抜き方向は導体側から補強板側を推奨いたします。
 導体部については軟銅箔35マイクロメートルまたは50マイクロメートル
 メッキ厚 3~9マイクロメートル鍍または半田メッキ (電気メッキ)
 RECOMMENDED PUNCHER DIRECTION:
 FROM CONDUCTOR SIDE TO STIFFENER BOARD SIDE.
 RECOMMENDED CONDUCTOR SPEC.:
 THICKNESS OF SOFT COPPER FOIL:
 35 micrometer or 50 micrometer
 TIN OR SOLDER PLATING:
 3~9 micrometer (ELECTRICAL PLATING)

FPCについて

補強フィルム材質はポリイミドを推奨致します。
 接着剤は熱硬化接着剤を推奨致します。
 RECOMMENDED MATERIAL:
 STIFFENER FILM : POLYIMIDE
 BONDING AGENT : THERMOSETTING BONDING AGENT

54104-***39	MODEL NO.
DESIGN UNITS	THIRD ANGLE PROJECTION
METRIC	

REVISED EC NO: J2008-4308 DRWN: WABEI CHKD: T. HARUYAMA APPR: NUKITA	DESCRIPTION 2008/06/27 2008/06/30	GENERAL TOLERANCES (UNLESS SPECIFIED)		DIMENSION STYLE		SCALE	DESIGN UNITS		TITLE 0.5 FPC CONN ZIF HSG ASSY FOR SMT RA UPR CONT -LEAD FREE- MOLEX INCORPORATED
				MM ONLY		---	METRIC		
		10 UNDER	±0.2	DRAWN BY	DATE	TITLE			
		10 OVER 30 UNDER	±0.25	Y. SAKIYAMA	'04/01/22				
		30 OVER	±0.3	CHECKED BY	DATE				
		M. SASAO	'04/01/22						
		APPROVED BY	DATE						
		M. SASAO	'04/01/22						
		MATERIAL NO.	DOCUMENT NO.						
		SEE SHEET 1	SD-54104-071						
		DRAFT WHERE APPLICABLE MUST REMAIN WITHIN DIMENSIONS		SIZE		SHEET NO.			
				A3		2 OF 2			

8

7

6

5

4

3

2

1

F

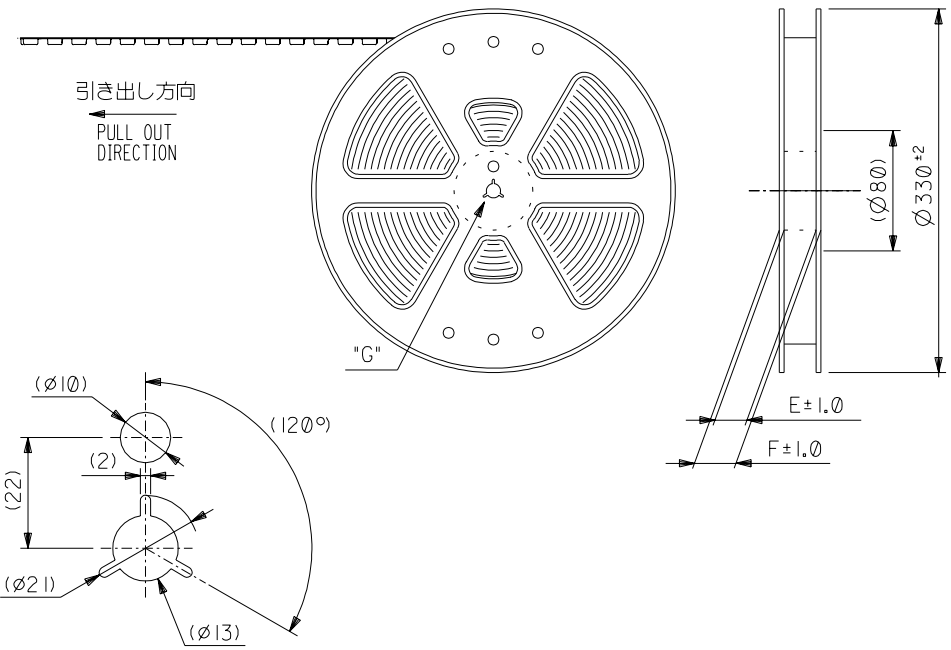
D

V

C

B

DO NOT SCALE DRAWING

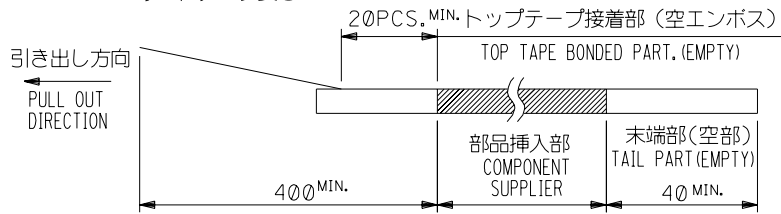


DETAIL "G"

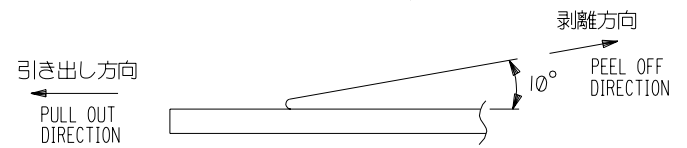
- 材料(MATERIAL)
 キャリアテープ(CARRIER TAPE): ポリプロピレン(POLYPROPYLENE)
 トップテープ(TOPTAPE): PET, PE, PEF
 リール(REEL): ポリスチレン(PS)<リサイクル材を含む>
 POLYSTYRENE (PS) <RECYCLE MATERIAL CONTAINED>
- 本製品は 54104-***92 の鉛フリー品である。
 THIS PRODUCT IS LEAD FREE OF 54104-***92.

NOTES

- 梱包数量: 1500個/リール
 NUMBER OF CONNECTORS: 1500PCS/REEL
- リードテープ長さ LEAD TAPE LENGTH



- トップテープの剥離強度: 0.1~1.3N (10 ~ 130gf)
 (剥離方向は下図参照)
 尚、本規格値は出荷時に適用。(但し、輸送時に剥離が発生しないこと。)
 PEELING OFF FORCE OF TOP TAPE: 0.1~1.3N (10 ~ 130gf)
 (PEELING DIRECTION AS SHOWN IN FOLLOWING FIG.)
 THIS REQUIREMENT SHOULD BE APPLIED AT SHIPMENT.
 PEEL OFF SHOULD NOT BE ALLOWED, DURING TRANSPORTATION.



44	49.4	45.4	30.8	31.9	26.1	29.6	54104-5096	50
			28.8	29.9	24.1	27.6	-4696	46
			28.3	29.4	23.6	27.1	-4596	45
			27.3	28.4	22.6	26.1	-4396	43
			25.8	26.9	21.1	24.6	-4096	40
			24.8	25.9	20.1	23.6	-3896	38
			23.8	24.9	19.1	22.6	-3696	36
			23.3	24.4	18.6	22.1	-3596	35
			22.8	23.9	18.1	21.6	-3496	34
			22.3	23.4	17.6	21.1	-3396	33
			21.8	22.9	17.1	20.6	-3296	32
20.8	21.9	16.1	19.6	54104-3096	30			
キャリアテープ幅 CARRIER TAPE WIDTH	F	E	D	C	B	A	MATERIAL NO.	CIRCUIT

EC NO. DRAWN: CHK: APPR:	EC NO. DRAWN: CHK: APPR:	EC NO. DRAWN: CHK: APPR:	REVISED '04/04/21 EC NO. J2004-3918 DRAWN: Y.WADA CHK: M.SASAO APPR: M.SASAO	RELEASED '04/01/22 EC NO. J2004-2032 DRAWN: Y.SAKIYAMA CHK: M.SASAO APPR: M.SASAO	MATERIAL 材料 注記参照 SEE NOTES	GENERAL TOLERANCES: (UNLESS SPECIFIED) 一般公差	SCALE	MODEL NO. 54104-***96	DIMENSIONS: <input type="checkbox"/> mm <input type="checkbox"/> INCH <input checked="" type="checkbox"/> mm ONLY	SHT	REV
			A	0	FINISH 仕上げ //	10 UNDER 未満 ±0.2	DRAWN BY & DATE Y.SAKIYAMA '04/01/22	TITLE: Embstp Pkg for 0.5 FPC Conn Zif Hsg Assy -LEAD FREE-			
					WIRE RANGE 適用層被覆範囲 //	10 OVER 30 UNDER 未満 ±0.25	CHECKED BY & DATE M.SASAO '04/01/22				
					INS. RANGE 被覆外径 //	30 OVER 以上 ±0.3	APPROVED BY & DATE M.SASAO '04/01/22	MOLEX MOLEX INCORPORATED			
						ANGLE 角度 ±3°	CAD FILENAME SD-54104-072.S01	MATERIAL NO. SEE CHART	DRAWING NO. SD-54104-072	SHEET NO. 1 OF 2	SIZE B
THIS DRAWING CONTAINS INFORMATION THAT IS PROPRIETARY TO MOLEX INCORPORATED AND SHOULD NOT BE USED WITHOUT WRITTEN PERMISSION.											EN-02J(097) MXJ-54

8

7

6

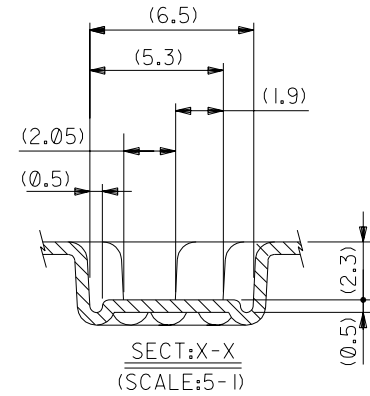
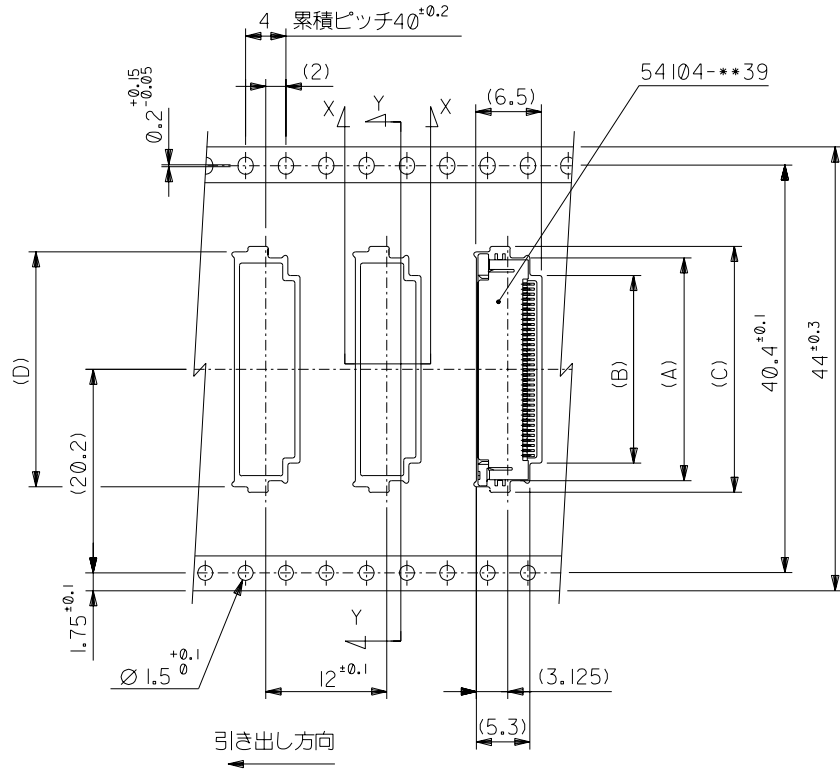
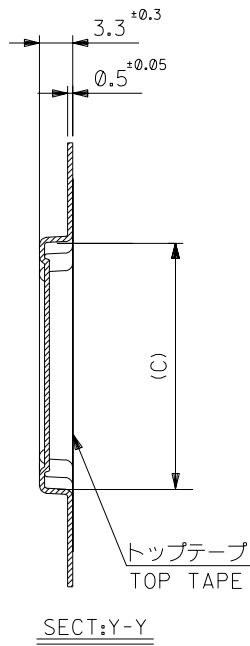
5

4

3

2

EN-02J(097) MXJ-54



DO NOT SCALE DRAWING

EC NO. DRWN: CHK: APPR:	EC NO. DRWN: CHK: APPR:	EC NO. DRWN: CHK: APPR:	REVISED '04/04/21 EC NO. J2004-3918 DRWN: Y.WADA CHK: M.SASAO APPR: M.SASAO	RELEASED '04/01/22 EC NO. J2004-2032 DRWN: Y.SAKIYAMA CHK: M.SASAO APPR: M.SASAO
A				

MATERIAL 材料	SHEET 1 OF 2 参照 REFER TO SHEET 1 OF 2	
FINISH 仕上げ	—	
WIRE RANGE 適用線径範囲	—	
INS. RANGE 被覆外径	—	

GENERAL TOLERANCES: (UNLESS SPECIFIED) 一般公差		SCALE
10 UNDER 未満	±0.2	DRAWN BY & DATE Y.SAKIYAMA '04/01/22 CHECKED BY & DATE M.SASAO '04/01/22 APPROVED BY & DATE M.SASAO '04/01/22 CAD FILENAME SD-54104-072.S02
10 OVER 30 UNDER 未満	±0.25	
30 OVER 以上	±0.3	
ANGLE 角度	±3°	

MODEL NO. DESIGN UNITS	54104-**-96 <input checked="" type="checkbox"/> mm <input type="checkbox"/> INCH	DIMENSIONS: <input type="checkbox"/> mm <input type="checkbox"/> INCH <input checked="" type="checkbox"/> mm ONLY	SHT REV
THIRD ANGLE PROJECTION	<input checked="" type="checkbox"/> mm <input type="checkbox"/> INCH	TITLE: Embstp Pkg for 0.5 FPC Conn Zif Hsg Assy -LEAD FREE-	REVISE ON CAD ONLY
MOLEX INCORPORATED		MATERIAL NO. SEE CHART	DRAWING NO. SD-54104-072
		SHEET NO. 2 OF 2	SIZE B

THIS DRAWING CONTAINS INFORMATION THAT IS PROPRIETARY TO MOLEX INCORPORATED AND SHOULD NOT BE USED WITHOUT WRITTEN PERMISSION.