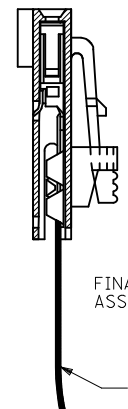
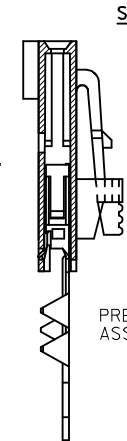
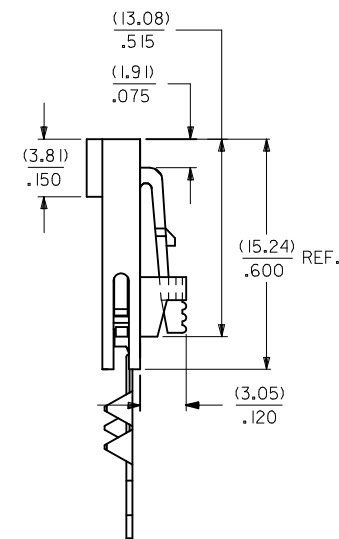
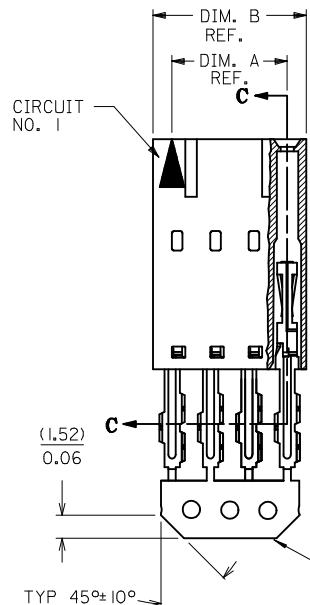
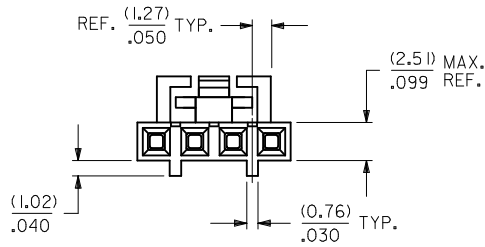
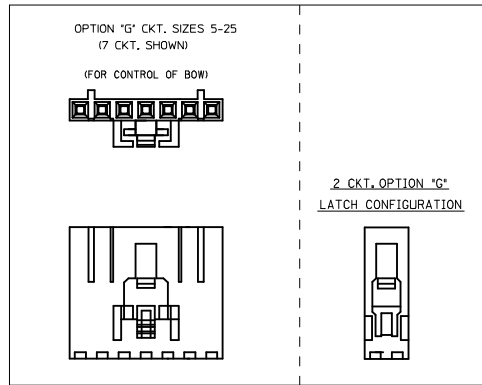


"G" - OPTION



FLAT FLEX CABLE (F.F.C.)  
(SEE NOTE 2.)

PLATING CODE (STRIPE ON CARRIER STRIP)	
PLATING	COLOR
TIN	NONE

CKT. SIZE	EDP. NO.	ENG. NO.	A	B
2	015-38-8020	70430-0141	(2.54) .100	(5.05) .199
3	015-38-8030	70430-0142	(5.08) .200	(7.59) .299
4	015-38-8040	70430-0143	(7.62) .300	(10.13) .399
5	015-38-8050	70430-0144	(10.16) .400	(12.67) .499
6	015-38-8060	70430-0145	(12.70) .500	(15.21) .599
7	015-38-8070	70430-0146	(15.24) .600	(17.75) .699
8	015-38-8080	70430-0147	(17.78) .700	(20.29) .799
9	015-38-8090	70430-0148	(20.32) .800	(22.83) .899
10	015-38-8100	70430-0149	(22.86) .900	(25.37) .999
11	015-38-8110	70430-0150	(25.40) 1.000	(27.91) 1.099
12	015-38-8120	70430-0151	(27.94) 1.100	(30.45) 1.199
13	015-38-8130	70430-0152	(30.48) 1.200	(32.99) 1.299
14	015-38-8140	70430-0153	(33.02) 1.300	(35.53) 1.399
15	015-38-8150	70430-0154	(35.56) 1.400	(38.07) 1.499
16	015-38-8160	70430-0155	(38.10) 1.500	(40.61) 1.599
17	015-38-8170	70430-0156	(40.64) 1.600	(43.15) 1.699
18	015-38-8180	70430-0157	(43.18) 1.700	(45.69) 1.799
19	015-38-8190	70430-0158	(45.72) 1.800	(48.23) 1.899
20	015-38-8200	70430-0159	(48.26) 1.900	(50.77) 1.999
21	015-38-8210	70430-0160	(50.80) 2.000	(53.31) 2.099
22	015-38-8220	70430-0161	(53.34) 2.100	(55.85) 2.199
23	015-38-8230	70430-0162	(55.88) 2.200	(58.39) 2.299
24	015-38-8240	70430-0163	(58.42) 2.300	(60.93) 2.399
25	015-38-8250	70430-0164	(60.96) 2.400	(63.47) 2.499

- HOUSING MATERIAL: GLASS FILLED POLYESTER, UL94V-0, COLOR: BLACK.  
TERMINAL MATERIAL: PHOSPHOR BRONZE.  
PLATING TIN- 3.81 MICROMETERS/150 MICROINCHES MINIMUM TIN OVER  
1.27 MICROMETERS/50 MICROINCHES MINIMUM NICKEL PLATE.
- PRE LOADED ASSEMBLY TO BE USED WITH (0.30)/.012 MAX. THICK FLAT CABLE WITH (1.57)/.062 WIDE COPPER CONDUCTORS ON (2.54)/.100 CENTERS OR, (0.13)/.005-(0.28)/.011 THICK MYLAR WITH (1.02)/.040 - (1.65)/.065 WIDE SILVER INK CONDUCTORS ON (2.54)/.100 CENTERS.
- PRODUCT SPECIFICATION: PS-70430.
- STANDARD PACKING PER PK70873-0001 SHALL BE USED.
- SEE CHART FOR CIRCUIT SIZES, "A" AND "B" DIMENSIONS.
- TWO (2) CIRCUIT ASSEMBLIES SUPPLIED AS GROUPED PAIRS.
- PART MATES WITH (0.64)/.025 SQ. PINS, (8.13)/.320 TO (5.08)/.200 LONG ON (2.54)/.100 CENTERS.
- PARTS CONFORM TO CLASS B COSMETIC SPECIFICATION PS-45499-002.

THE PRIMARY CARTON WITH A LABEL STATING "ELV AND RoHS COMPLIANT" IS LEAD FREE. CARTONS WITHOUT THIS LABEL MAY CONTAIN LEAD.

<b>STANDARDIZE</b> EC NO: UCP2013-2452 DRWNR:WHIPPLE 2012/12/18 CHKD:MORGAN 2012/12/18 APPR:SMILLER 2013/01/31	QUALITY SYMBOLS ▽=0 ▽=0 ▽=0	GENERAL TOLERANCES (UNLESS SPECIFIED)		DIMENSION STYLE MM/IN		SCALE	DESIGN UNITS	THIRD ANGLE PROJECTION
		mm	INCH	DRAWN BY	DATE	ASSEMBLY, CONNECTOR FFC FEMALE SINGLE ROW (2.54)/.100 GRID <b>molex</b>	INCH	SHEET NO. 1 OF 1
		4 PLACES ± --- ± ---	3 PLACES ± --- ± .010	RAS	1986/07/21			
		2 PLACES ± 0.25 ± .015	1 PLACE ± 0.38 ± ---	0 PLACE ± --- ± ---	2 PLACES ± 0.25 ± .015	MJM	1986/07/21	
ANGULAR ±1/2°		MATERIAL NO. <b>SEE TABLE</b>		DOCUMENT NO. SDA-70430-0141-0164				
DRAFT WHERE APPLICABLE MUST REMAIN WITHIN DIMENSIONS		SIZE C		THIS DRAWING CONTAINS INFORMATION THAT IS PROPRIETARY TO MOLEX INCORPORATED AND SHOULD NOT BE USED WITHOUT WRITTEN PERMISSION				