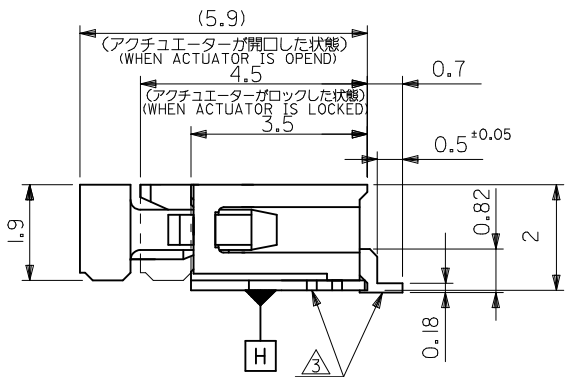
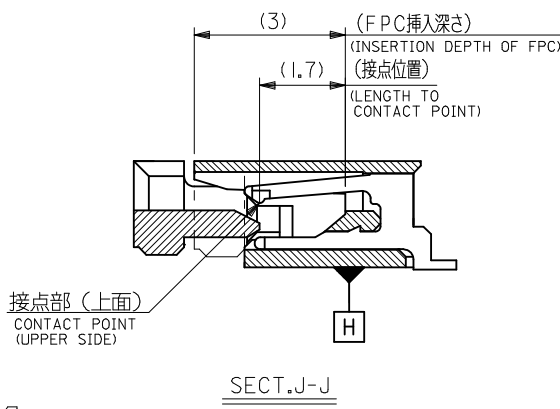
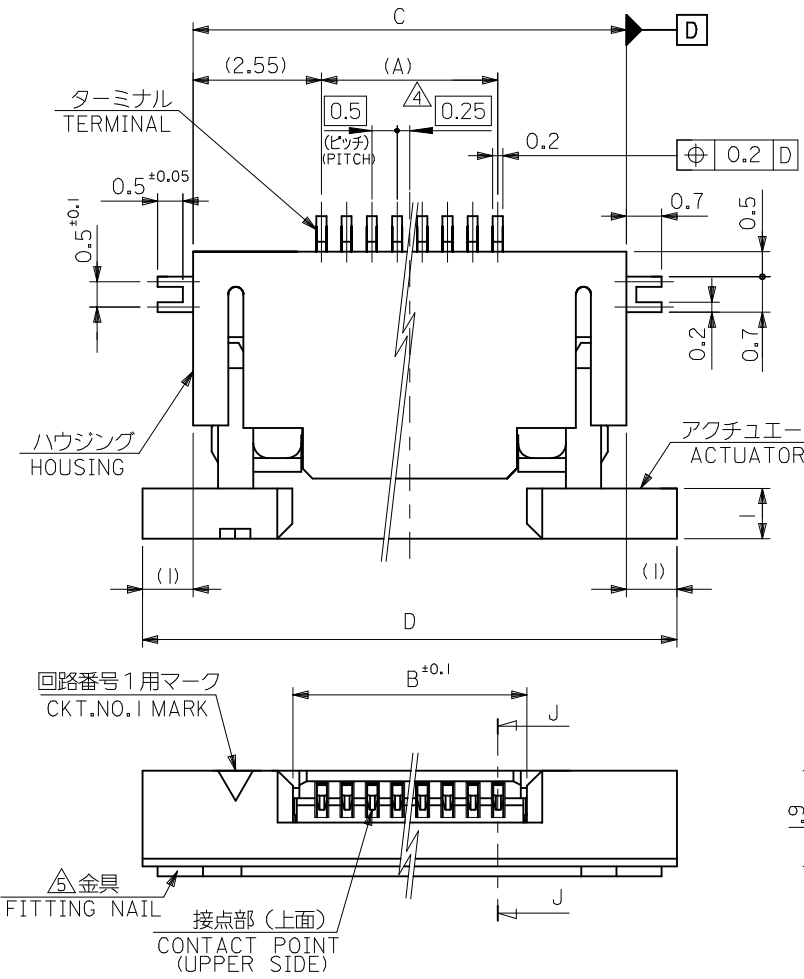


注記 NOTES

1. 使用材料 : MATERIAL
 ハウジング : 46ナイロン, UL94V-0
 HOUSING : 46NYLON
 アクチュエータ : PPS, UL94V-0
 ACTUATOR
 ターミナル : リン青銅 (t=0.2)
 TERMINAL : PHOS-BRO
 : 錫ビスマスマッキ 1.0マイクロメートル以上
 TIN-BISMUTH I.O. MICROMETER MINIMUM
 : ニッケル下地 1.0マイクロメートル以上
 NICKEL (UNDER PLATING) I.O. MICROMETER MINIMUM
 金具 : リン青銅 (t=0.2)
 FITTING NAIL : PHOS-BRO
 : 錫メッキ 1.0マイクロメートル以上
 TIN I.O. MICROMETER MINIMUM
 : ニッケル下地 1.0マイクロメートル以上
 NICKEL (UNDER PLATING) I.O. MICROMETER MINIMUM
2. エンボステープ梱包時は、アクチュエータがロックした状態とする。
 IN THE PACKAGE, ACTUATOR OF PART NO.52435-**26 SHOULD BE LOCKED.
- △ ソルダータール半田付け面のズレ量、及び金具半田付け面のズレ量は、基準面 H に対し上方向 0.1 MAX. , 下方向 0.15MAX. とする。
 MISALIGNMENT OF SOLDER TAILS AND FITTING NAILS FROM H UPPER DIRECTION: 0.1 MAX. , LOWER DIRECTION: 0.15MAX.
- △ 偶数極に適用。
 APPLY FOR EVEN CIRCUIT.
- △ パターンはくり止め用金具。
 FITTING NAIL FOR PREVENTION OF PEELING OF P.C.B. PATTERN.
- △ R.O. 3は、FPCの導体部にかからないこと。
 R.O.3 MUST NOT BE OVERLAPPED TO PATTERN OF FPC.
7. 本製品は52435-**27の鉛フリー品です。
 THIS PRODUCT IS LEAD FREE OF 52435-**27.
8. MATERIAL NO.
 52435-**2*
 52435-**7*

1	BLACK
6	NATURAL
2	NATURAL
3	BLACK



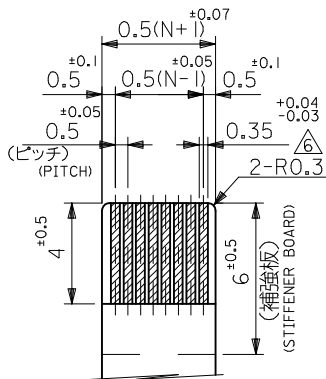
52435-**2*	MODEL NO.
DESIGN UNITS	THIRD ANGLE PROJECTION
METRIC	

0.5 FPC CONN ZIF FOR SMT
 R/A (TOP CONTACT)
 -LEAD FREE-

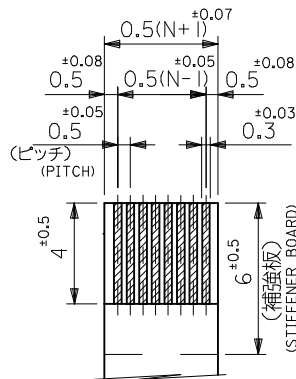


DOCUMENT NO.	SHEET NO.
SD-52435-019	1 OF 2

REVISED EC NO: J2016-0844 DRWN: YMIJUN02 2016/02/10 CHKD: KTAKAHASHI 2016/02/10 APPR: TKUSUHARA01 2016/02/19	GENERAL TOLERANCES (UNLESS SPECIFIED)			DIMENSION STYLE		SCALE
				MM ONLY		---
	0.25 UNDER	UNDER	±0.03	DRAWN BY	DATE	TITLE
	0.25 OVER	0.5 UNDER	±0.05	YMAEDA	2005/11/10	THIS DRAWING CONTAINS INFORMATION THAT IS PROPRIETARY TO MOLEX ELECTRONIC TECHNOLOGIES, LLC AND SHOULD NOT BE USED WITHOUT WRITTEN PERMISSION
	0.5 OVER	1.0 UNDER	±0.1	CHECKED BY	DATE	
1.0 OVER	10 UNDER	±0.2	MTANAKA	2005/11/10		
10 OVER	30 UNDER	±0.25	APPROVED BY	DATE		
30 OVER		±0.3	NUKITA	2005/11/10		
ANGULAR	±3 °		MATERIAL NO.	SEE CHART		
DRAFT WHERE APPLICABLE MUST REMAIN WITHIN DIMENSIONS			SIZE	A3		



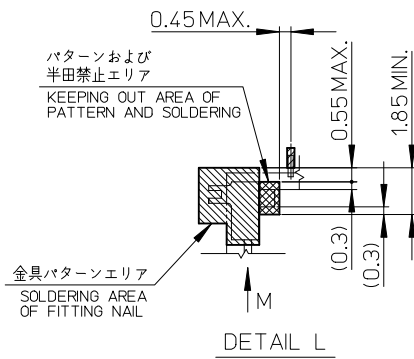
適合FPC推奨寸法
 APPLICABLE FPC
 RECOMMENDED DIMENSION.
 (仕上がり厚さ: 0.3^{+0.05})
 (THICKNESS: 0.3^{+0.05})



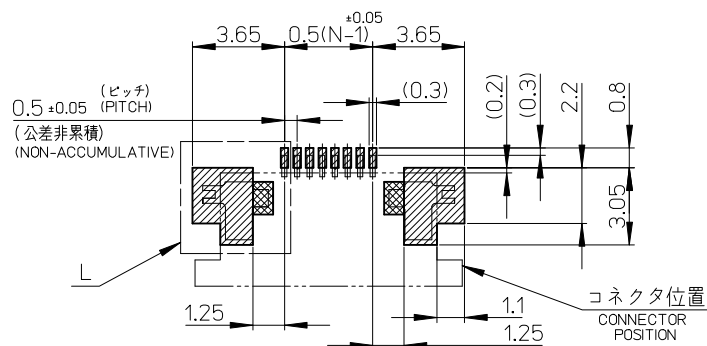
適合FFC推奨寸法
 APPLICABLE FFC
 RECOMMENDED DIMENSION.
 (仕上がり厚さ: 0.3^{+0.05})
 (THICKNESS: 0.3^{+0.05})

FPCについて:
 打抜き方向は導体側から補強板側を推奨致します。
 補強フィルム材質はポリイミドを推奨致します。
 接着剤は熱硬化接着剤を推奨致します。

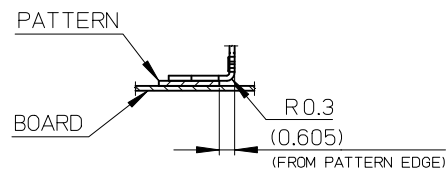
ABOUT FPC:
 RECOMMENDED PUNCHER DIRECTION : FROM CONDUCTOR SIDE TO STIFFENER BOARD SIDE.
 RECOMMENDED MATERIAL :
 STIFFENER FILM : POLYIMIDE
 BONDING AGENT : THERMOSETTING BONDING AGENT



DETAIL L



参考基板レイアウト
 (マウント面)
 RECOMMENDED P.C. BOARD
 PATTERN DIMENSION (REF.)
 (MOUNTING SIDE)



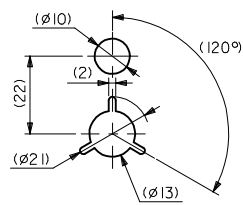
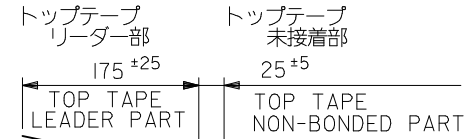
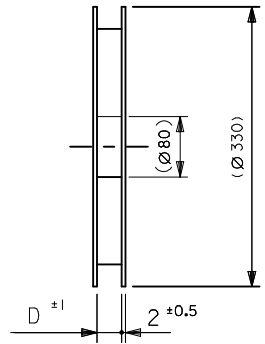
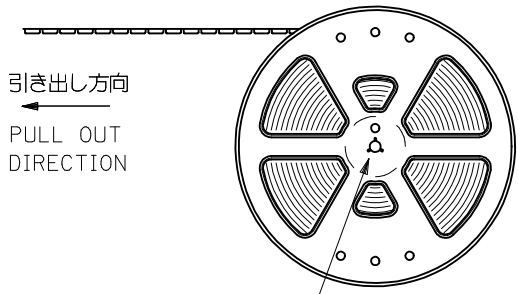
VIEW M
 (DETAIL OF FITTING NAIL
 ON PATTERN)

21.6	19.6	15.65	14.5	52435-3072	52435-3026	30
21.1	19.1	15.15	14.0	-2972	-2926	29
20.6	18.6	14.65	13.5	-287*	-282*	28
19.6	17.6	13.65	12.5	-2672	-2626	26
19.1	17.1	13.15	12.0	-2572	-2526	25
18.6	16.6	12.65	11.5	-2472	-2426	24
18.1	16.1	12.15	11.0	-2372	-2326	23
17.6	15.6	11.65	10.5	-2272	-2226	22
17.1	15.1	11.15	10.0	52435-2172	52435-2126	21
D	C	B	(A)	EMBOSSED TAPE ORDER No. オーダー番号	MATERIAL NO.	極数 CRT.

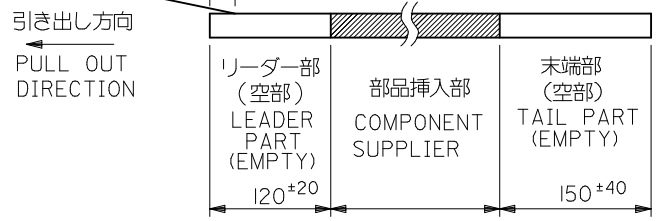
SEE SHEET 1 EC NO: J2016-0844 DRWN: YMIJUN002 2016/02/10 CHKD: TAKAHASHI 2016/02/10 APPR: TKUSUHARA01 2016/02/19	GENERAL TOLERANCES (UNLESS SPECIFIED)		DIMENSION STYLE MM ONLY		SCALE ---	DESIGN UNITS METRIC	THIRD ANGLE PROJECTION
	0.25 UNDER	UNDER	±0.03	DRAWN BY YMAEDA	DATE 2005/11/10	TITLE 0.5 FPC CONN ZIF FOR SMT R/A (TOP CONTACT) -LEAD FREE-	
	0.25 OVER	0.5 UNDER	±0.05	CHECKED BY MTANAKA	DATE 2005/11/10		
	0.5 OVER	1.0 UNDER	±0.1	APPROVED BY NUKITA	DATE 2005/11/10		
1.0 OVER	10 UNDER	±0.2	MATERIAL NO.	DOCUMENT NO.	SHEET NO.		
10 OVER	30 UNDER	±0.25	SEE CHART		SD-52435-019		2 OF 2
30 OVER		±0.3	THIS DRAWING CONTAINS INFORMATION THAT IS PROPRIETARY TO MOLEX ELECTRONIC TECHNOLOGIES, LLC AND SHOULD NOT BE USED WITHOUT WRITTEN PERMISSION				
ANGULAR	±3 °						
DRAFT WHERE APPLICABLE MUST REMAIN WITHIN DIMENSIONS							

注記 NOTES

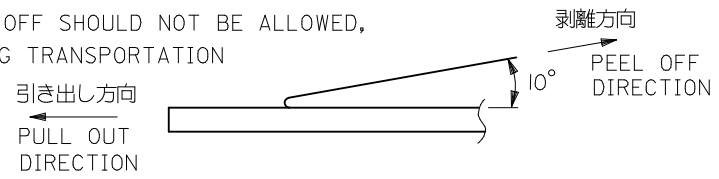
- 製品番号 52435-**26 の梱包状態はアクチュエータがロックした状態とする。
 詳細寸法については図面SD-52435-019 を参照下さい。
 IN THE PACKAGE,ACTUATOR OF PART NO.52435-**26 SHOULD BE LOCKED RE DETAILED DIMENSIONS,SEE SD-52435-019
- 梱包数量：1000個/リール
 NUMBER OF CONNECTORS:1000PCS/REEL
- リードテープ長さ LEAD TAPE LENGTH



DETAIL "E"

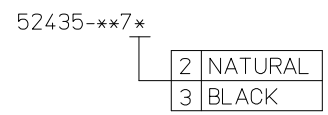


- トップテープの剥離強度：(剥離方向は下図参照)
 0.1N~1.3N(10gf~130gf) 尚、本規格値は、出荷時に適用。
 (但し、輸送時に剥離が発生しない事。)
 PEELING OFF FORCE OF TOP TAPE
 0.1N~1.3N(10gf~130gf)(PEELING DIRECTION AS SHOWN IN FOLLOWING FIG.)
 THIS REQUIREMENT SHOULD BE APPLIED AT SHIPMENT
 PEEL OFF SHOULD NOT BE ALLOWED,
 DURING TRANSPORTATION

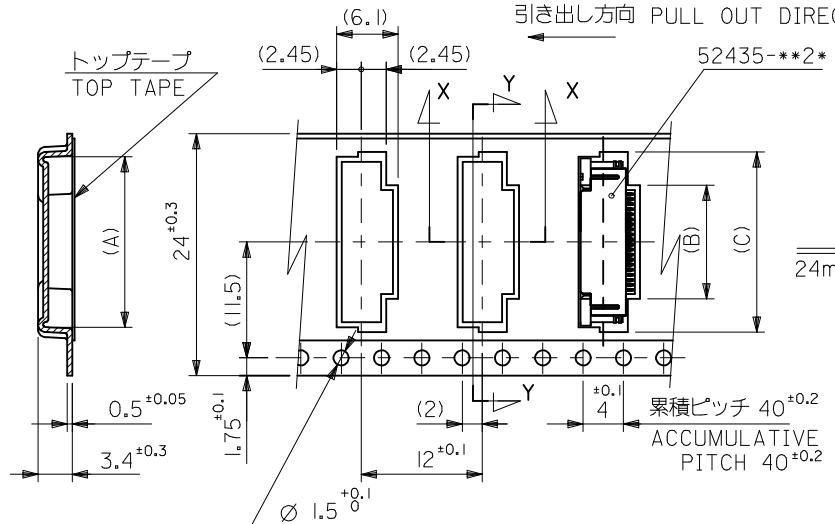


- 材料 (MATERIAL)
 キャリアテープ (CARRIER TAPE) : ポリプロピレン (POLYPROPYLENE)
 トップテープ (TOPTAPE) : PET, PE, PEF
 リール (REEL) : ポリスチレン (PS) <リサイクル材を含む>
 POLYSTYREN (PS) <RECYCLE MATERIAL CONTAINED>
- 本製品は52435-**91の鉛フリー品です。
 THIS PRODUCT IS LEAD FREE OF 52435-**91.

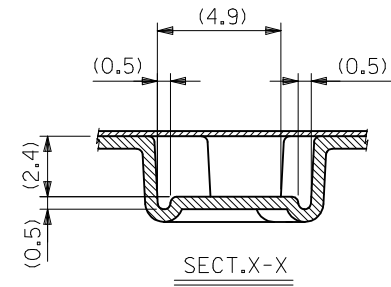
7. MATERIAL NO.



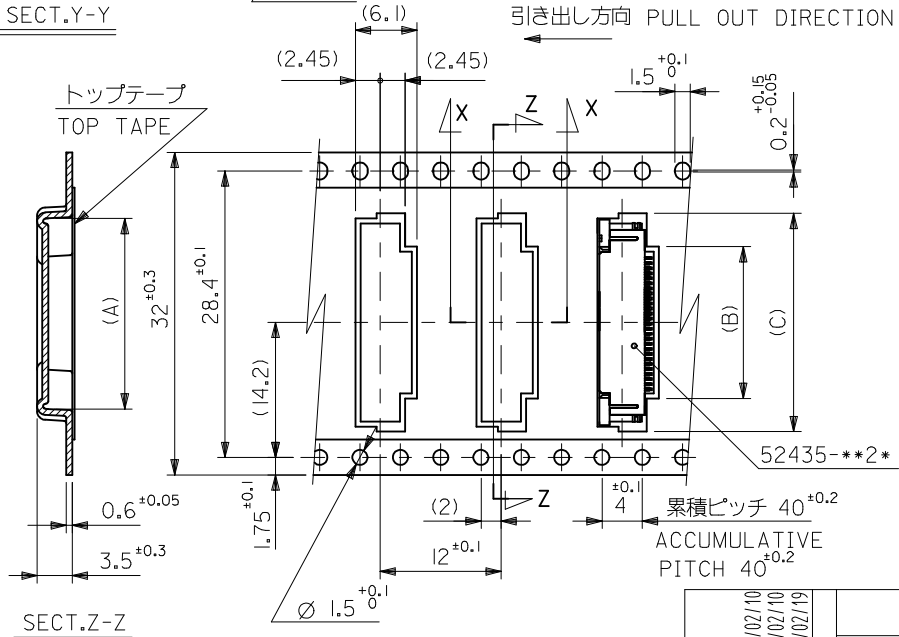
REVISED EC NO: J2016-0844 DRWN: YMIJUN02 2016/02/10 CHKD: TAKAHASHI 2016/02/10 APPR: KUSUHARA01 2016/02/19	GENERAL TOLERANCES (UNLESS SPECIFIED)		DIMENSION STYLE MM ONLY		SCALE ---	DESIGN UNITS METRIC	THIRD ANGLE PROJECTION
	0.25 UNDER	UNDER	±0.03	DRAWN BY YMAEDA	DATE 2005/11/11	TITLE 0.5 FPC CONN ZIF SMT R/A WITH TAPE EMBSTP PKG -LEAD FREE-	
	0.25 OVER	0.5 UNDER	±0.05	CHECKED BY MTANAKA	DATE 2005/11/11		
	0.5 OVER	1.0 UNDER	±0.1	APPROVED BY NUKITA	DATE 2005/11/11		
	1.0 OVER	30 UNDER	±0.2	MATERIAL NO. SEE CHART		DOCUMENT NO. SD-52435-020	SHEET NO. 1 OF 3
10 OVER	30 UNDER	±0.25	THIS DRAWING CONTAINS INFORMATION THAT IS PROPRIETARY TO MOLEX ELECTRONIC TECHNOLOGIES, LLC AND SHOULD NOT BE USED WITHOUT WRITTEN PERMISSION				
30 OVER		±0.3					
ANGULAR	±3 °						
DRAFT WHERE APPLICABLE MUST REMAIN WITHIN DIMENSIONS							



24mm幅キャリアテープ
24mm WIDTH CARRIER TAPE



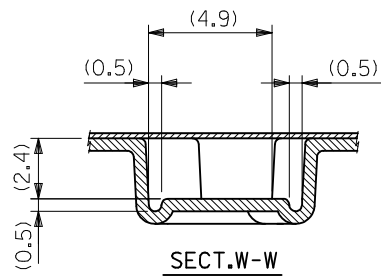
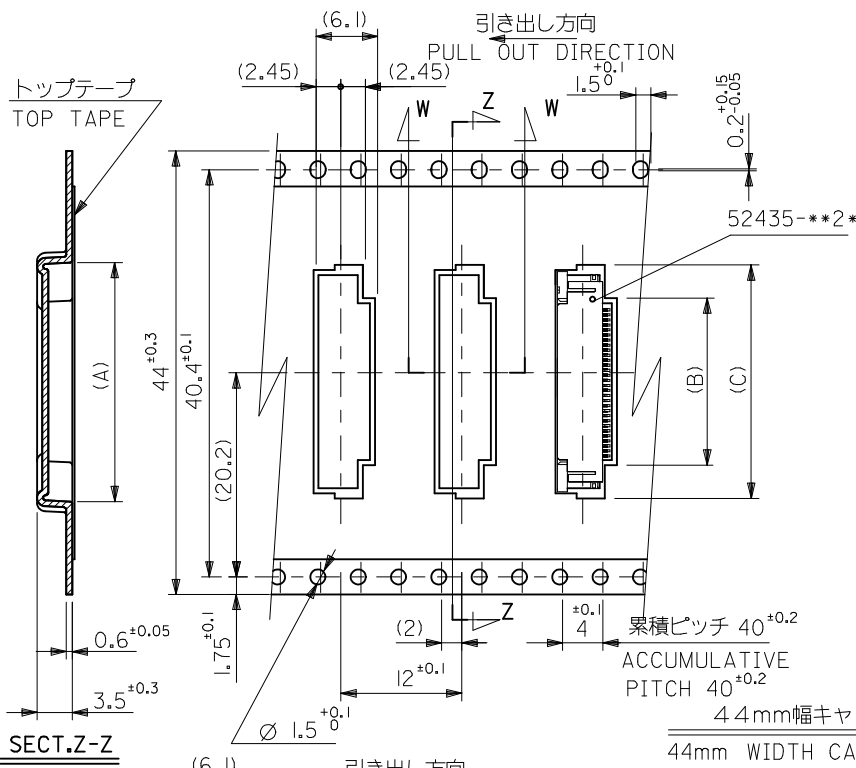
SECT.X-X



32mm幅キャリアテープ
32mm WIDTH CARRIER TAPE

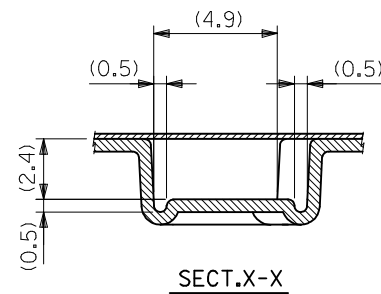
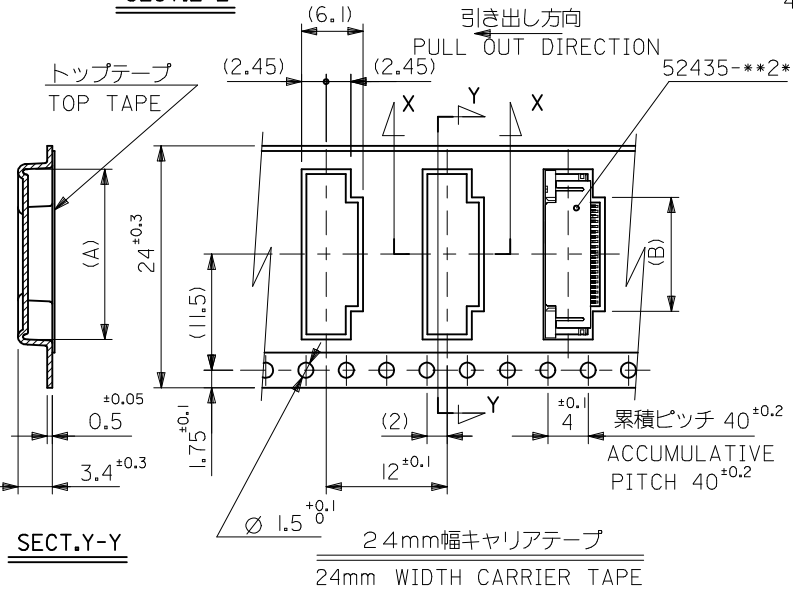
32	33.5	22.4	15.8	21.4	52435-2972	29
		21.9	15.3	20.9	-287*	28
		20.9	14.3	19.9	-2672	26
		20.4	13.8	19.4	-2572	25
		19.9	13.3	18.9	-2472	24
		19.4	12.8	18.4	-2372	23
		18.9	12.3	17.9	52435-2272	22
キャリアテープ幅 CARRIER TAPE WIDTH	D	(C)	(B)	(A)	ENG. NO.	極数 CIRCUIT

SEE SHEET 1 EC NO: J2016-0844 DRWN: YMIZUNO02 2016/02/10 CHKD: KAKAHASHI 2016/02/10 APPR: IKUSUHARA01 2016/02/19	GENERAL TOLERANCES (UNLESS SPECIFIED)		DIMENSION STYLE		SCALE	DESIGN UNITS	THIRD ANGLE PROJECTION		
	0.25 UNDER	UNDER	±0.03	MM ONLY		---	METRIC		
	0.25 OVER	0.5 UNDER	±0.05	DRAWN BY	DATE	TITLE			
	0.5 OVER	1.0 UNDER	±0.1	YMAEDA	2005/11/11	0.5 FPC CONN ZIF SMT R/A WITH TAPE EMBSTP PKG -LEAD FREE-			
	1.0 OVER	10 UNDER	±0.2	CHECKED BY	DATE				
30 OVER		±0.25	MTANAKA	2005/11/11	molex DOCUMENT NO. SD-52435-020 SHEET NO. 2 OF 3				
ANGULAR	±3 °		APPROVED BY	DATE					
			NUKITA	2005/11/11					
			MATERIAL NO.		SEE CHART				
DRAFT WHERE APPLICABLE MUST REMAIN WITHIN DIMENSIONS			SIZE	THIS DRAWING CONTAINS INFORMATION THAT IS PROPRIETARY TO MOLEX ELECTRONIC TECHNOLOGIES, LLC AND SHOULD NOT BE USED WITHOUT WRITTEN PERMISSION					
			A3						



44	45.5	22.9	16.3	21.9	52435-3072	30
キャリアテープ幅 CARRIER TAPE WIDTH	D	(C)	(B)	(A)	ENG. NO.	極数 CIRCUIT

44mm幅キャリアテープ
44mm WIDTH CARRIER TAPE



24	25.5	11.8	17.4	52435-2172	21
キャリアテープ幅 CARRIER TAPE WIDTH	D	(B)	(A)	ENG. NO.	極数 CIRCUIT

24mm幅キャリアテープ
24mm WIDTH CARRIER TAPE

SEE SHEET 1 EC NO.: J2016-0844 DRWN: YMIZUNO02 2016/02/10 CHKD: TAKAHASHI 2016/02/10 APPR: IKUSUHARA01 2016/02/19	GENERAL TOLERANCES (UNLESS SPECIFIED)		DIMENSION STYLE MM ONLY		SCALE ---		DESIGN UNITS METRIC		THIRD ANGLE PROJECTION		
	0.25 UNDER	UNDER	±0.03	DRAWN BY	DATE	TITLE					
	0.25 OVER	0.5 UNDER	±0.05	YMAEDA	2005/11/11	0.5 FPC CONN ZIF SMT R/A WITH TAPE EMBSTP PKG -LEAD FREE- molex					
	0.5 OVER	1.0 UNDER	±0.1	CHECKED BY	DATE						
	1.0 OVER	10 UNDER	±0.2	MTANAKA	2005/11/11						
10 OVER	30 UNDER	±0.25	APPROVED BY	DATE	MATERIAL NO.		DOCUMENT NO.		SHEET NO.		
30 OVER		±0.3	NUKITA	2005/11/11	SEE CHART		SD-52435-020		3 OF 3		
ANGULAR ±3 °			DRAFT WHERE APPLICABLE MUST REMAIN WITHIN DIMENSIONS			SIZE A3		THIS DRAWING CONTAINS INFORMATION THAT IS PROPRIETARY TO MOLEX ELECTRONIC TECHNOLOGIES, LLC AND SHOULD NOT BE USED WITHOUT WRITTEN PERMISSION			