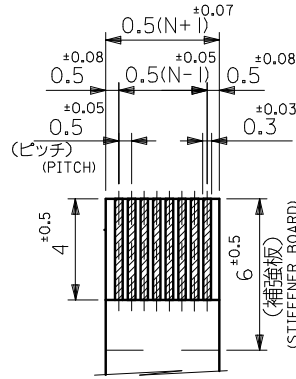
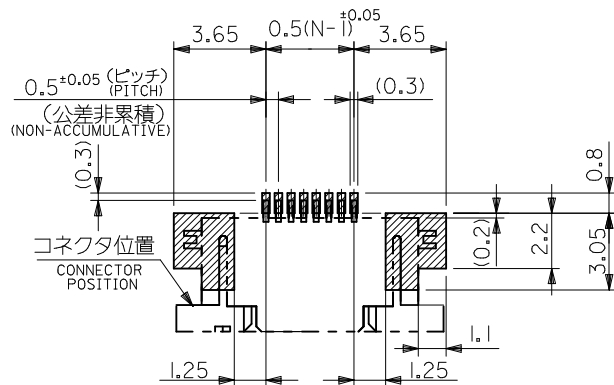


適合FPC推奨寸法
APPLICABLE FPC
RECOMMENDED DIMENSION.
(仕上がり厚さ: 0.3^{+0.05})
(THICKNESS: 0.3^{+0.05})



適合FFC推奨寸法
APPLICABLE FFC
RECOMMENDED DIMENSION.
(仕上がり厚さ: 0.3^{+0.05})
(THICKNESS: 0.3^{+0.05})



参考基板レイアウト
(マウント面)
RECOMMENDED P.C.BOARD
PATTERN DIMENSION (REF.)
(MOUNTING SIDE)

20.6	18.6	14.65	13.5	52435-2827	28
20.1	18.1	14.15	13.0	-2727	27
18.6	16.6	12.65	11.5	-2427	24
18.1	16.1	12.15	11.0	-2327	23
17.6	15.6	11.65	10.5	-2227	22
16.6	14.6	10.65	9.5	-2027	20
16.1	14.1	10.15	9.0	-1927	19
15.6	13.6	9.65	8.5	-1827	18
15.1	13.1	9.15	8.0	-1727	17
14.6	12.6	8.65	7.5	-1627	16
14.1	12.1	8.15	7.0	-1527	15
13.6	11.6	7.65	6.5	-1427	14
13.1	11.1	7.15	6.0	-1327	13
12.1	10.1	6.15	5.0	-1127	11
11.6	9.6	5.65	4.5	-1027	10
11.1	9.1	5.15	4.0	-0927	9
10.6	8.6	4.65	3.5	-0827	8
10.1	8.1	4.15	3.0	-0727	7
9.6	7.6	3.65	2.5	52435-0627	6

MODEL NO. 52435-***27 D C B (A) MATERIAL NO. 極数

REVISED EC NO: J2015-0014 DRWN: YOSHII 2014/07/08 CHKD: YKOBAYASHI 2014/07/08 APPR: YNOGAWA 2014/07/17	DESCRIPTION	GENERAL TOLERANCES (UNLESS SPECIFIED)		DIMENSION STYLE	SCALE	DESIGN UNITS	THIRD ANGLE PROJECTION
				MM ONLY	---	METRIC	
		10 UNDER	±0.2	DRAWN BY	DATE	TITLE	
		10 OVER 30 UNDER	±0.25	SKAJINUMA	91/10/31	0.5 FPC CONN ZIF FOR SMT R/A (UPPER CONTACT)	
30 OVER	±0.3	CHECKED BY	DATE				
		APPROVED BY	DATE				
		MFUKUSHIMA	97/07/15				
		ANGULAR	±3 °	MATERIAL NO.	DOCUMENT NO.		
		DRAFT WHERE APPLICABLE MUST REMAIN WITHIN DIMENSIONS		SEE CHART			
		SIZE	A3	THIS DRAWING CONTAINS INFORMATION THAT IS PROPRIETARY TO MOLEX INCORPORATED AND SHOULD NOT BE USED WITHOUT WRITTEN PERMISSION			

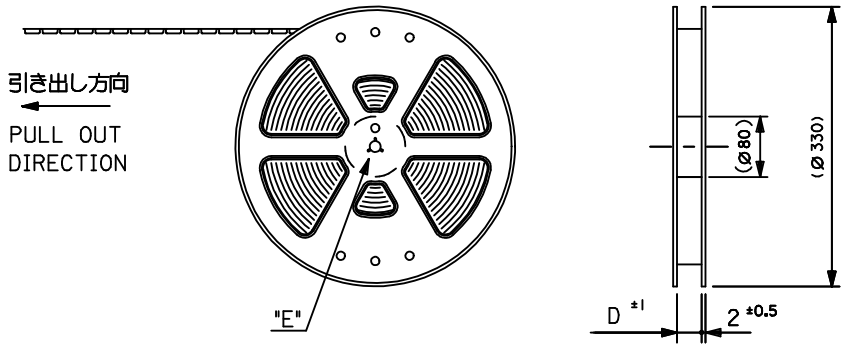


SD-52435-018

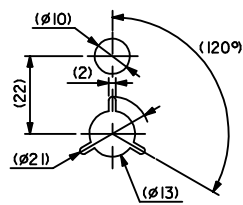
SHEET NO. 2 OF 2

注記 NOTES

- 製品番号 52435-***27の梱包状態はアクチュエータがロックした状態とする。
 詳細寸法については図面SD-52435-018を参照下さい。
 IN THE PACKAGE,ACTUATOR OF PART NO.52435-***27 SHOULD BE LOCKED RE DETAILED DIMENSIONS,SEE SD-52435-018
- 梱包数量：1000個/リール
 NUMBER OF CONNECTORS:1000PCS/REEL
- リードテープ長さ LEAD TAPE LENGTH



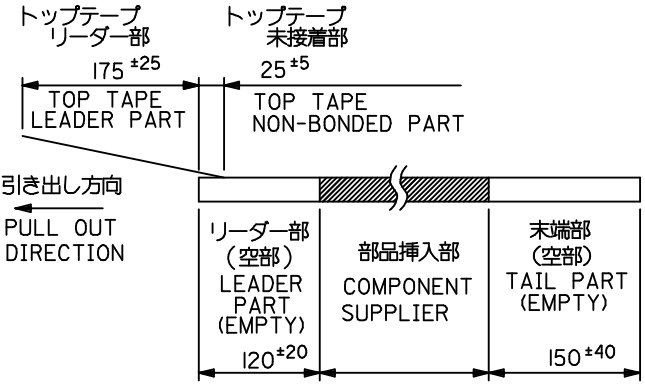
引き出し方向
 ←
 PULL OUT
 DIRECTION



DETAIL 'E'

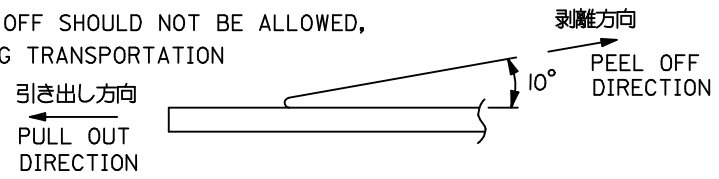
5. 材料 (MATERIAL)

キャリアテープ (CARRIER TAPE) :ポリプロピレン (POLYPROPYLENE)
 トップテープ (TOPTAPE) : PET, PE, PEF
 リール (REEL) : ポリスチレン (PS) <リサイクル材を含む>
 POLYSTYREN (PS) <RECYCLE MATERIAL CONTAINED>

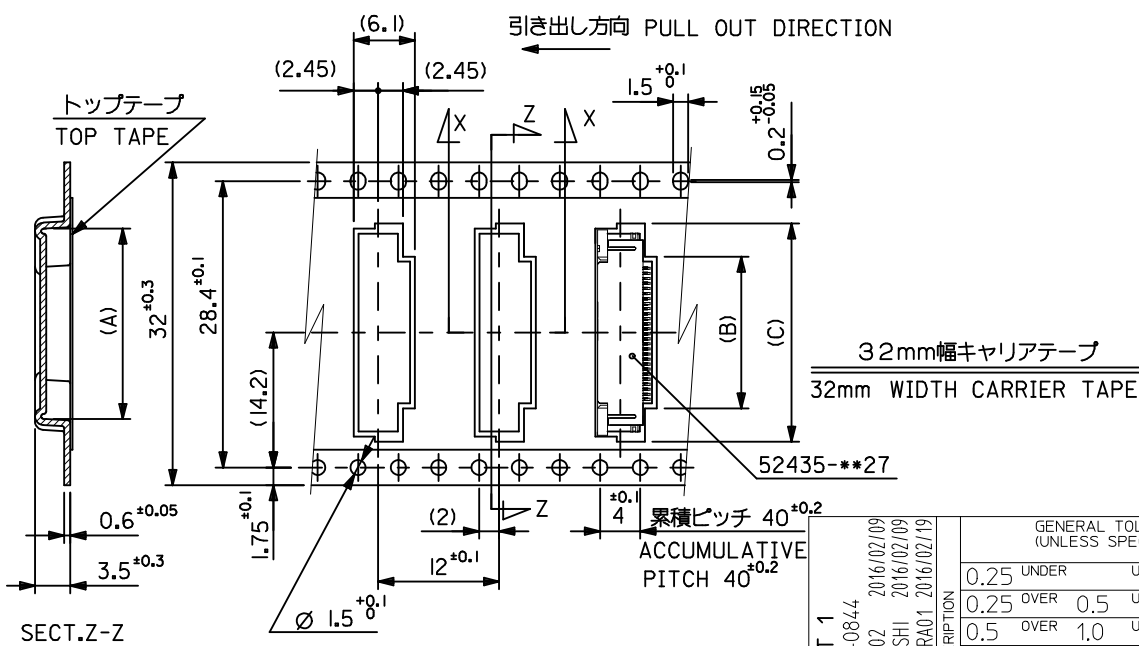
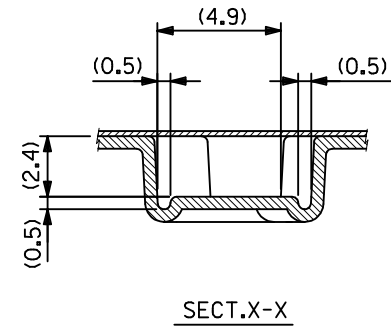
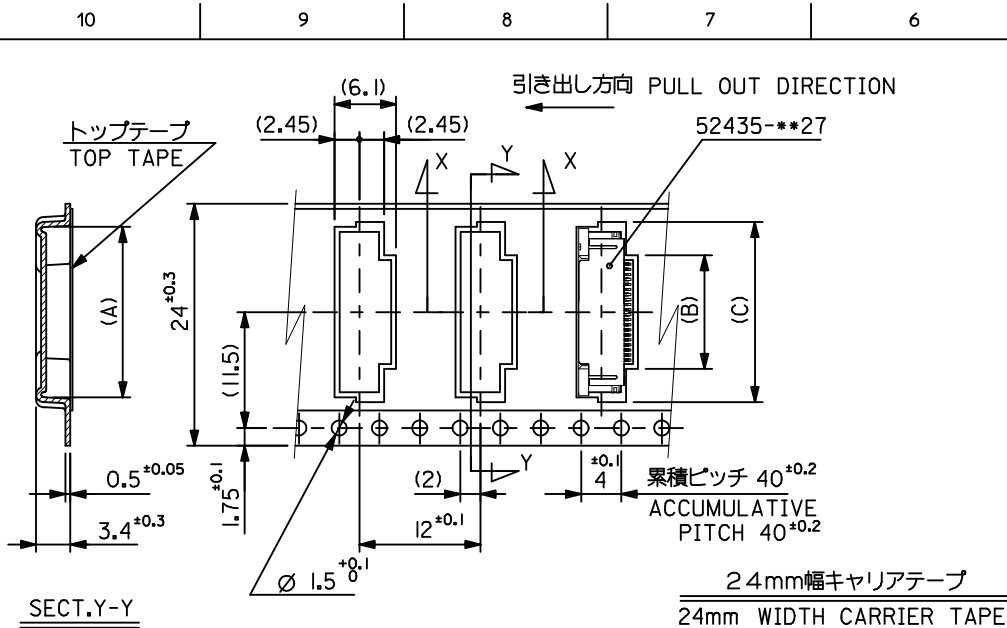


引き出し方向
 ←
 PULL OUT
 DIRECTION

- トップテープの剥離強度：(剥離方向は下図参照)
 0.1N~0.7N (10.2gf~71.4gf) 尚、本規格値は、出荷時に適用。
 (但し、輸送時に剥離が発生しない事。)
 PEELING OFF FORCE OF TOP TAPE
 0.1N~0.7N(10.2gf~71.4gf)(PEELING DIRECTION AS SHOWN IN FOLLOWING FIG.)
 THIS REQUIREMENT SHOULD BE APPLIED AT SHIPMENT
 PEEL OFF SHOULD NOT BE ALLOWED,
 DURING TRANSPORTATION

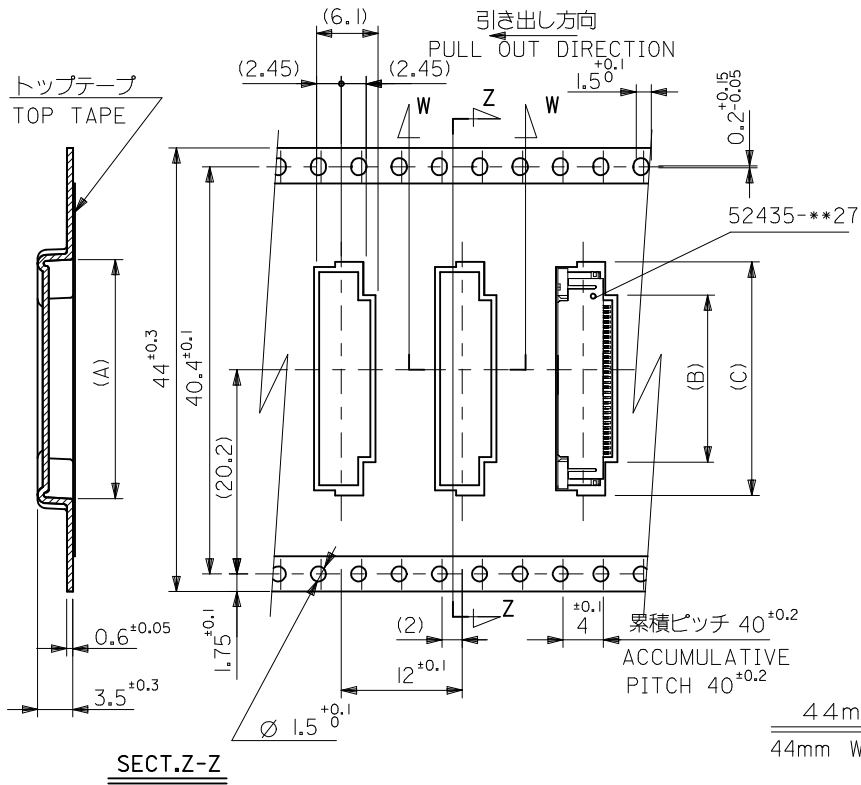


REVISED EC NO: J2016-0844 DRWN: YMIZUNO02 2016/02/09 CHKD: TAKAHASHI 2016/02/09 APPR: KUSUHARA01 2016/02/19	GENERAL TOLERANCES (UNLESS SPECIFIED)			DIMENSION STYLE MM ONLY		SCALE ---	DESIGN UNITS METRIC	THIRD ANGLE PROJECTION		
	0.25 UNDER	UNDER	±0.03	DRAWN BY	DATE	TITLE				
	0.25 OVER	0.5 UNDER	±0.05	TMORISHITA	2013/08/01	EMBOSSED TAPE PACKAGE FOR 52435-***27 SHEET 1 OF 3				
	0.5 OVER	1.0 UNDER	±0.1	CHECKED BY	DATE					
	1.0 OVER	10 UNDER	±---	KTAKAHASHI	2013/08/01					
	10 OVER	30 UNDER	±---	APPROVED BY	DATE	MATERIAL NO.		DOCUMENT NO.		SHEET NO.
30 OVER		±---	YNOGAWA	2013/09/09	SEE SHEET 2-3		SD-52435-024		1 OF 3	
ANGULAR	±--- °		DRAFT WHERE APPLICABLE MUST REMAIN WITHIN DIMENSIONS			SIZE A3	THIS DRAWING CONTAINS INFORMATION THAT IS PROPRIETARY TO MOLEX ELECTRONIC TECHNOLOGIES, LLC AND SHOULD NOT BE USED WITHOUT WRITTEN PERMISSION			



32	33.5	21.9	15.3	20.9	52435-2891	28
		21.4	14.8	20.4	-2791	27
		19.9	13.3	18.9	-2491	24
		19.4	12.8	18.4	-2391	23
		18.9	12.3	17.9	-2291	22
24	25.5	17.9	11.3	16.9	-2091	20
		17.4	10.8	16.4	-1991	19
		16.9	10.3	15.9	-1891	18
		16.4	9.8	15.4	-1791	17
		15.4	8.8	14.4	-1591	15
		14.9	8.3	13.9	-1491	14
		14.4	7.8	13.4	-1391	13
		13.4	6.8	12.4	-1191	11
		12.9	6.3	11.9	-1091	10
		12.4	5.8	11.4	-0991	9
		11.9	5.3	10.9	-0891	8
		11.4	4.8	10.4	-0791	7
10.9	4.3	9.9	52435-0691	6		
キャリアテープ幅 CARRIER TAPE WIDTH		D	(C)	(B)	(A)	ENG. NO.

SEE SHEET 1 EC NO: J2016-0844 DRWN: YMIZUNO02 2016/02/09 CHKD: TAKAHASHI 2016/02/09 APPR: KUSUHARA01 2016/02/19	GENERAL TOLERANCES (UNLESS SPECIFIED)	DIMENSION STYLE	SCALE	DESIGN UNITS	TITLE EMBOSSED TAPE PACKAGE FOR 52435-**-27 SHEET 2 OF 3 molex DOCUMENT NO. SD-52435-024 SHEET NO. 2 OF 3
	0.25 UNDER UNDER ±0.03	MM ONLY	---	METRIC	
	0.25 OVER 0.5 UNDER ±0.05	DRAWN BY DATE		THIRD ANGLE PROJECTION	
	0.5 OVER 1.0 UNDER ±0.1	TMORISHITA 2013/08/01			
	1.0 OVER 10 UNDER ±---	CHECKED BY DATE			
10 OVER 30 UNDER ±---	KTAKAHASHI 2013/08/01				
30 OVER ±---	APPROVED BY DATE				
ANGULAR ±--- °	YNOGAWA 2013/09/09				
DRAFT WHERE APPLICABLE MUST REMAIN WITHIN DIMENSIONS	MATERIAL NO.	SEE CHART			
	SIZE A3	THIS DRAWING CONTAINS INFORMATION THAT IS PROPRIETARY TO MOLEX ELECTRONIC TECHNOLOGIES, LLC AND SHOULD NOT BE USED WITHOUT WRITTEN PERMISSION			



44mm幅キャリアテープ
44mm WIDTH CARRIER TAPE

44	45.5	22.9	16.3	21.9	52435-3091	30
キャリアテープ幅 CARRIER TAPE WIDTH	D	(C)	(B)	(A)	ENG. NO.	極数 CIRCUIT

SEE SHEET 1 EC NO: J2016-0844 DRWN: YMIZUNO02 2016/02/09 CHKD: KTAKAHASHI 2016/02/09 APPR: IKUSUHARA01 2016/02/19	GENERAL TOLERANCES (UNLESS SPECIFIED)		DIMENSION STYLE MM ONLY		SCALE ---	DESIGN UNITS METRIC	THIRD ANGLE PROJECTION
	0.25 UNDER	UNDER	±0.03	DRAWN BY	DATE	TITLE	
	0.25 OVER	0.5 UNDER	±0.05	TMORISHITA	2013/08/01	EMBOSSED TAPE PACKAGE FOR 52435-***27 SHEET 3 OF 3	
	0.5 OVER	1.0 UNDER	±0.1	KTAKAHASHI	2013/08/01		
	1.0 OVER	10 UNDER	±---	APPROVED BY	DATE		
10 OVER	30 UNDER	±---	YNOGAWA	2013/09/09	MATERIAL NO.	DOCUMENT NO.	SHEET NO.
30 OVER		±---	SEE CHART			SD-52435-024	3 OF 3
ANGULAR	±---	°	DRAFT WHERE APPLICABLE MUST REMAIN WITHIN DIMENSIONS		SIZE A3	THIS DRAWING CONTAINS INFORMATION THAT IS PROPRIETARY TO MOLEX ELECTRONIC TECHNOLOGIES, LLC AND SHOULD NOT BE USED WITHOUT WRITTEN PERMISSION	