

- 注記 NOTES
- △ MX J側を基準に奇数番目の極におけるソルダーテール。
 SOLDER TAIL OF ODD CKTS, MXJ MARK AS BASIC.
 - △ MX J側を基準に偶数番目の極におけるソルダーテール。
 SOLDER TAIL OF EVEN CKTS, MXJ MARK AS BASIC.
 - △ 3極~10極に適用。APPLY FOR 3-10 CKTS.
 - △ 3極~19極に適用。APPLY FOR 3-19 CKTS.
 - 5. () 内寸法は、参考値。
 () DIMENSION IS FOR REFERENCE.
 - 6. ソルダーテールは、先端が取付推奨穴にガイドされること。
 SOLDER TAILS MAY BE CHECKED BY INSERTION FOR RECOMMENDED PCB BOARD HOLES.
 - 7. 本製品は5597-NAPBの鉛フリー品である。
 THIS PRODUCT IS LEAD FREE OF 5597-NAPB.

48.25	43.95	39-53-2344	5597-34APB7F	34
45.75	41.45	-2324	-32APB7F	32
44.50	40.20	-2314	-31APB7F	31
43.25	38.95	-2304	-30APB7F	30
42.00	37.70	-2294	-29APB7F	29
40.75	36.45	-2284	-28APB7F	28
39.50	35.20	-2274	-27APB7F	27
38.25	33.95	-2264	-26APB7F	26
37.00	32.70	-2254	-25APB7F	25
35.75	31.45	-2244	-24APB7F	24
34.50	30.20	-2234	-23APB7F	23
33.25	28.95	-2224	-22APB7F	22
32.00	27.70	-2214	-21APB7F	21
30.75	26.45	-2204	-20APB7F	20
29.50	25.20	-2194	-19APB7F	19
28.25	23.95	-2184	-18APB7F	18
27.00	22.70	-2174	-17APB7F	17
25.75	21.45	-2164	-16APB7F	16
24.50	20.20	-2154	-15APB7F	15
23.25	18.95	-2144	-14APB7F	14
22.00	17.70	-2134	-13APB7F	13
20.75	16.45	-2124	-12APB7F	12
19.50	15.20	-2114	-11APB7F	11
18.25	13.95	-2104	-10APB7F	10
17.00	12.70	-2094	-09APB7F	9
15.75	11.45	-2084	-08APB7F	8
14.50	10.20	-2074	-07APB7F	7
13.25	8.95	-2064	-06APB7F	6
12.00	7.70	-2054	-05APB7F	5
10.75	6.45	-2044	-04APB7F	4
9.50	5.20	39-53-2034	5597-03APB7F	3
B	A	EDP NO.	ENG NO.	極数 CKT.

MODEL NO. 5597-NAPB7F

材料
 MATERIAL
 HOUSING, ACTUATOR : PBTP, UL94V-0
 TERMINAL : PHOSPHOR-BRONZE
 THK : 0.31

仕上げ TIN-BISMUTH :
 FINISH 10 MICROMETER MINIMUM
 OVER NICKEL PLATING :
 10 MICROMETER MINIMUM

適用電線範囲
 WIRE RANGE —#—

被覆外径
 INS. RANGE —#—

REVISED EC NO. J2016-0714 DRWN: YMIJUN02 2016/01/12 CHKD: K. TAKAHASHI 2016/01/12 APPR: IKUSUHARA01 2016/01/20	GENERAL TOLERANCES (UNLESS SPECIFIED)		DIMENSION STYLE MM ONLY	
	0.25 UNDER	UNDER	±0.03	DRAWN BY M. NAGATA
	0.25 OVER	0.5 UNDER	±0.05	DATE '04/05/10
	0.5 OVER	1.0 UNDER	±0.1	CHECKED BY K. TOJO
	1.0 OVER	10 UNDER	±0.2	DATE '04/05/10
	10 OVER	30 UNDER	±0.25	APPROVED BY M. SASAO
	30 OVER	±0.3	DATE '04/05/10	MATERIAL NO.
	ANGULAR	±3 °		DOCUMENT NO.
	DRAFT WHERE APPLICABLE MUST REMAIN WITHIN DIMENSIONS		SIZE A3	

SCALE --- DESIGN UNITS METRIC

THIRD ANGLE PROJECTION

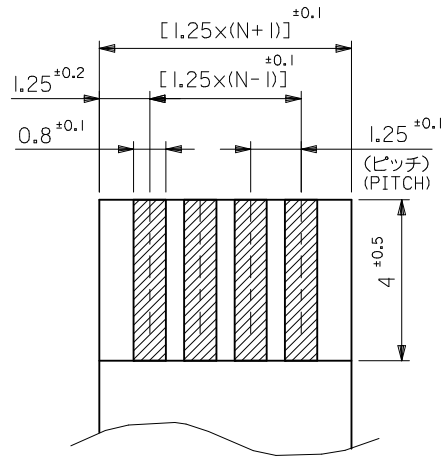
TITLE
 1.25 FPC CONNECTOR
 ASSY ZIF
 -LEAD FREE-

molex

SEE CHART SD-5597-011

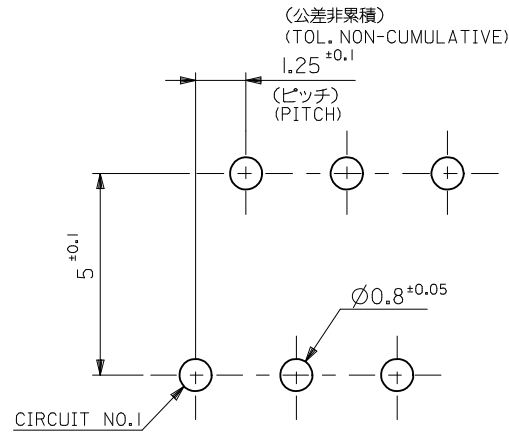
THIS DRAWING CONTAINS INFORMATION THAT IS PROPRIETARY TO MOLEX ELECTRONIC TECHNOLOGIES, LLC AND SHOULD NOT BE USED WITHOUT WRITTEN PERMISSION

SHEET NO. 1 OF 2



適合FPC/FFC推奨寸法
RECOMMENDED FPC/FFC

厚さ THK : 0.3 ±0.05



基板取付穴推奨寸法 (t=1.6)
RECOMMENDED P.C. BOARD
HOLE DIMENSION

FPC/FFCについて:

打抜き方向は導体側から補強板側を推奨いたします。
導体部については軟銅箔35マイクロメートルまたは50マイクロメートルを推奨いたします。

ABOUT FPC/FFC

RECOMMENDED PUNCHER DIRECTION : FROM CONDUCTOR SIDE TO STIFFENER FILM SIDE.
RECOMMENDED CONDUCTOR SPEC :
THICKNESS OF SOFT COPPER FOIL : 35 MICROMETER OR 50 MICROMETER.

FPCについて:

補強フィルム材質はポリイミドを推奨します。
接着剤は熱硬化接着剤を推奨します。

ABOUT FPC

RECOMMENDED MATERIAL :
STIFFENER FILM : POLYIMIDE
BONDING AGENT : THERMOSETTING BONDING AGENT

MODEL NO. 5597-NAPB7F

REVISED EC NO: J2016-0714 DRWN: YMIZUNO02 2016/01/12 CHKD: K. TAKAHASHI 2016/01/12 APPR: TKUSUHARA01 2016/01/20	GENERAL TOLERANCES (UNLESS SPECIFIED)			DIMENSION STYLE MM ONLY		SCALE ---	DESIGN UNITS METRIC	THIRD ANGLE PROJECTION	
	0.25 UNDER	UNDER	±0.03	DRAWN BY	DATE	TITLE			
	0.25 OVER	0.5 UNDER	±0.05	M. NAGATA	'04/05/10	1.25 FPC CONNECTOR ASSY ZIF -LEAD FREE-			
	0.5 OVER	1.0 UNDER	±0.1	CHECKED BY	DATE	molex			
	1.0 OVER	30 UNDER	±0.2	K. TOJO	'04/05/10				
10 OVER	30 UNDER	±0.25	APPROVED BY	DATE	DOCUMENT NO.		SHEET NO.		
30 OVER		±0.3	M. SASAO	'04/05/10	SD-5597-011		2 OF 2		
ANGULAR	±3 °		SEE CHART		THIS DRAWING CONTAINS INFORMATION THAT IS PROPRIETARY TO MOLEX ELECTRONIC TECHNOLOGIES, LLC AND SHOULD NOT BE USED WITHOUT WRITTEN PERMISSION				
DRAFT WHERE APPLICABLE MUST REMAIN WITHIN DIMENSIONS			SIZE A3						