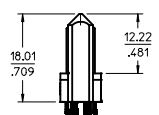
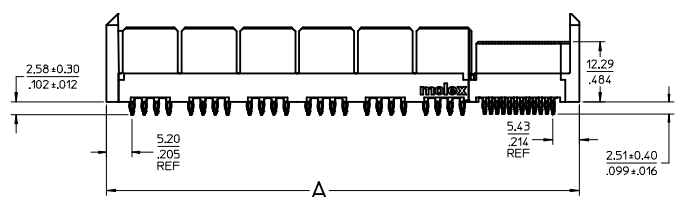
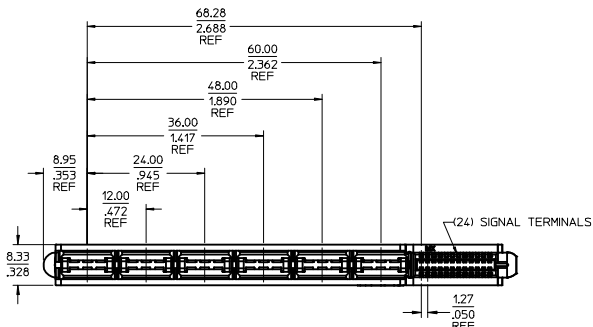
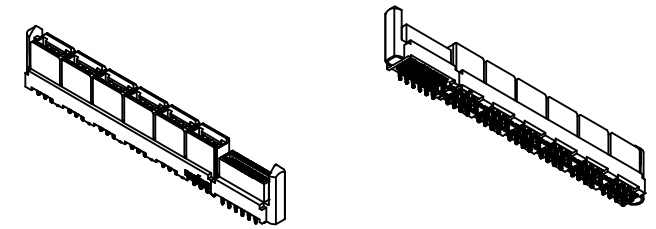
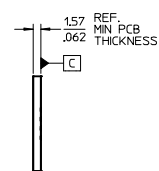
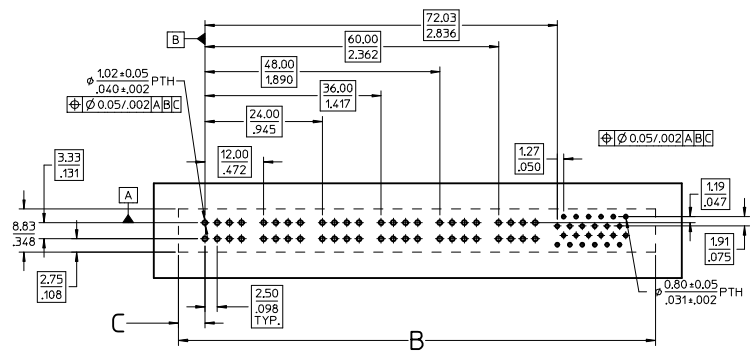


NO OF SIGNALS	MATERIAL NUMBER	COMPLIANT PIN PLATING	DIM A	DIM B	DIM C
12	46114-1212	TIN	89.01/3.504	89.51/3.524	5.45/2.15
16	46114-1216	TIN	91.55/3.604	92.05/3.624	
20	46114-1220	TIN	94.09/3.704	94.59/3.724	
24	46114-1224	TIN	96.63/3.804	97.13/3.824	
28	46114-1228	TIN	99.17/3.904	99.67/3.924	
32	46114-1232	TIN	101.71/4.004	102.21/4.024	
36	46114-1236	TIN	104.25/4.104	104.75/4.124	
40	46114-1240	TIN	106.79/4.204	107.29/4.224	



- NOTES:  
 1. MATERIAL: HOUSING: LCP, 94-V0, COLOR: BLACK.  
 POWER CONTACTS: COPPER ALLOY.  
 SIGNAL CONTACTS: MODIFIED TIN BRASS.  
 2. FINISH: SELECT GOLD - 0.75 μM/30 μ INCHES  
 SELECTED TIN - 2.50 μM/100 μ INCHES  
 BOTH OVER NICKEL - 1.25 μM/50 μ INCHES  
 3. POWER TERMINALS ARE LUBRICATED IN CONTACT AREA.  
 4. PARTS ARE ROHS COMPLIANT.  
 5. MATES TO MOLEX P/N 45995-SERIES OR EDGE CARD 157/062.  
 6. PRODUCT SPECIFICATION PS-46114-001.  
 7. PACKAGING: PER PK-46114-003.

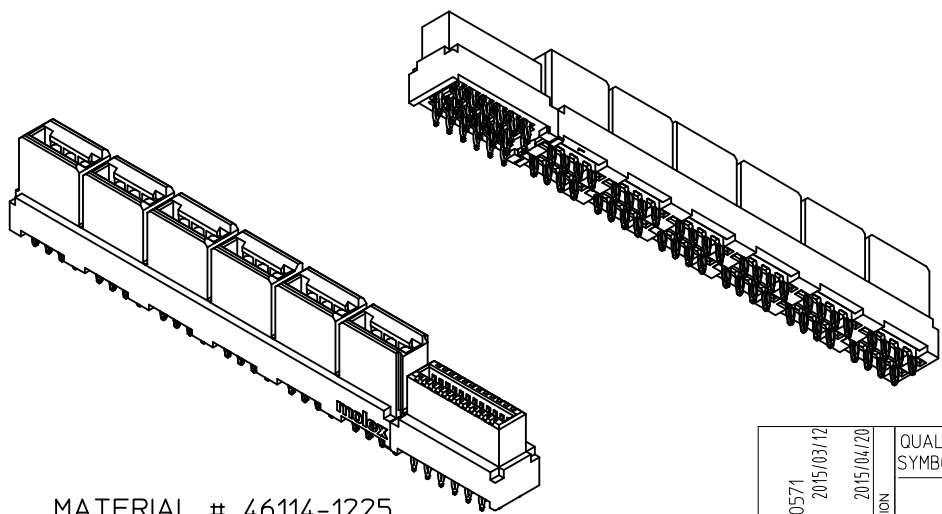
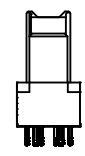
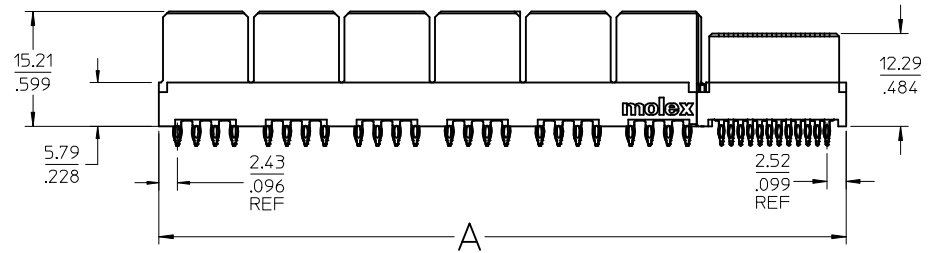
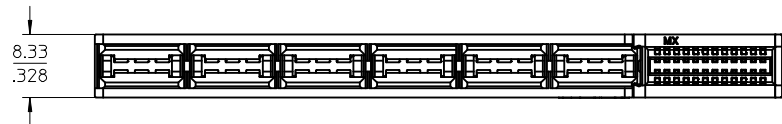


MATERIAL # 46114-1224  
 SHOWN

REVISE CARD EDGE IEC NO: UCP2015-0571 DRAWN: BHANDURA 2015/03/12 CHYK: APPR: APATEL 2015/04/20	QUALITY SYMBOLS	GENERAL TOLERANCES (UNLESS SPECIFIED)	DIMENSION STYLE	SCALE	DESIGN UNITS	THIRD ANGLE PROJECTION	
	▼=0 ▽=0	mm INCH 4 PLACES ± --- ± --- 3 PLACES ± --- ± .010 2 PLACES ± 0.25 ± --- 1 PLACE ± --- ± --- ANGULAR ±1/2°	MM/IN	2:1	METRIC	DRAWN BY: MKARADI MAS DATE: 2007/07/18 CHECKED BY: APATEL DATE: 2007/07/20 APPROVED BY: JCOMERCI DATE: 2009/12/03	TITLE: LPH VERTICAL RECEPTACLE COMPLIANT PIN ASSEMBLY 12CKT PWR CON, PRESS FIT MOLEX INCORPORATED
	DRAFT WHERE APPLICABLE MUST REMAIN WITHIN DIMENSIONS	MATERIAL NO. SEE CHART	MATERIAL NO. SD-46114-120	DOCUMENT NO. SD-46114-120	SHEET NO. 1 OF 3		
	THIS DRAWING CONTAINS INFORMATION THAT IS PROPRIETARY TO MOLEX INCORPORATED AND SHOULD NOT BE USED WITHOUT WRITTEN PERMISSION						

13 12 11 10 9 8 7 6 5 4 3 2 1

J  
I  
H  
G  
F  
E  
D  
C  
B  
A



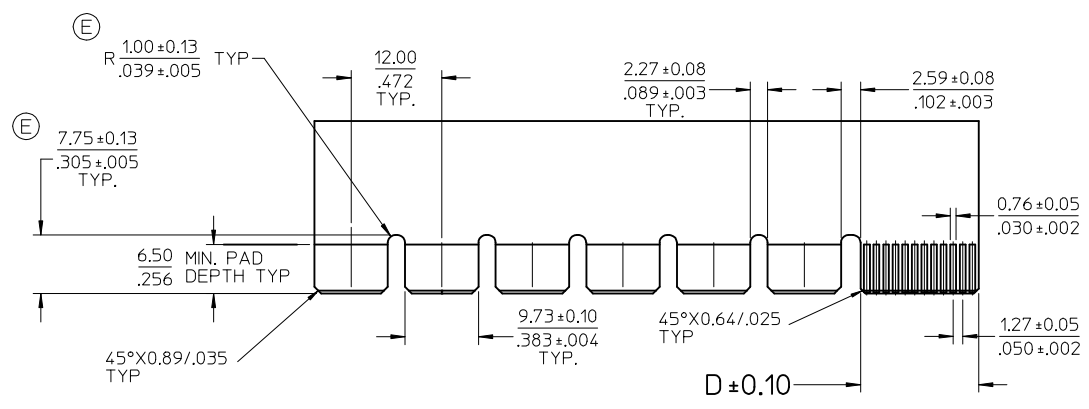
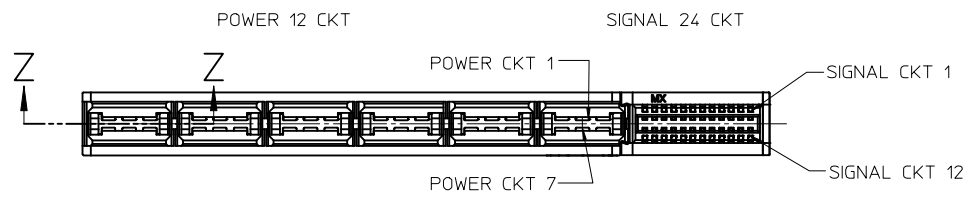
MATERIAL # 46114-1225  
SHOWN

NO OF SIGNALS	MATERIAL NUMBER	COMPLIANT PIN PLATING	DIM A	DIM B	DIM C
12	46114-1213	TIN	83.34/3.281	84.84/3.301	2.69/106
16	46114-1217	TIN	85.88/3.381	86.38/3.401	
20	46114-1221	TIN	88.42/3.481	88.92/3.501	
24	46114-1225	TIN	90.96/3.581	91.46/3.601	
28	46114-1229	TIN	93.50/3.681	94.00/3.701	
32	46114-1233	TIN	96.04/3.781	96.54/3.801	
36	46114-1237	TIN	98.58/3.881	99.08/3.901	
40	46114-1241	TIN	101.12/3.981	102.62/4.001	

SEE SHEET 1 EC NO: UCP2015-0571 DRWN: BANDURA 2015/03/12 CHKD: APPR: APATEL 2015/04/20	QUALITY SYMBOLS	GENERAL TOLERANCES (UNLESS SPECIFIED)	DIMENSION STYLE MM/IN	SCALE 2:1	DESIGN UNITS METRIC	THIRD ANGLE PROJECTION															
		<table border="1"> <tr> <th></th> <th>mm</th> <th>INCH</th> </tr> <tr> <td>4 PLACES</td> <td>± .---</td> <td>± .---</td> </tr> <tr> <td>3 PLACES</td> <td>± .---</td> <td>± .010</td> </tr> <tr> <td>2 PLACES</td> <td>± 0.25</td> <td>± .---</td> </tr> <tr> <td>1 PLACE</td> <td>± .---</td> <td>± .---</td> </tr> </table> ANGULAR ±1/2°		mm	INCH	4 PLACES	± .---	± .---	3 PLACES	± .---	± .010	2 PLACES	± 0.25	± .---	1 PLACE	± .---	± .---	DRAWN BY: MKARADIMAS DATE: 2007/07/18 CHECKED BY: APATEL DATE: 2007/07/20 APPROVED BY: JCOMERC I DATE: 2009/12/03	TITLE	LPH VERTICAL RECEPTACLE COMPLIANT PIN ASSEMBLY 12CKT PWR CON, PRESS FIT	
		mm	INCH																		
	4 PLACES	± .---	± .---																		
3 PLACES	± .---	± .010																			
2 PLACES	± 0.25	± .---																			
1 PLACE	± .---	± .---																			
	DRAFT WHERE APPLICABLE MUST REMAIN WITHIN DIMENSIONS	SEE CHART	MATERIAL NO.	DOCUMENT NO.	MOLEX INCORPORATED SD-46114-120																
			SIZE	THIS DRAWING CONTAINS INFORMATION THAT IS PROPRIETARY TO MOLEX INCORPORATED AND SHOULD NOT BE USED WITHOUT WRITTEN PERMISSION																	

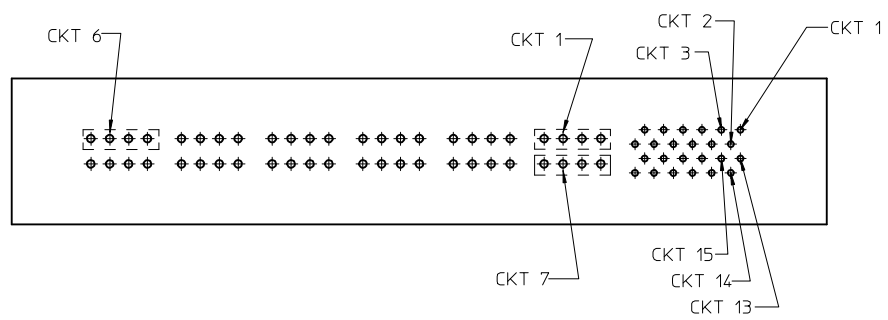
12 11 10 9 8 7 6 5 4 3 2 1

NO OF SIGNAL	DIM. D
12	8.00/.315
16	10.54/.415
20	13.08/.515
24	15.62/.615
28	18.16/.715
32	20.70/.815
36	23.24/.915
40	25.78/1.015

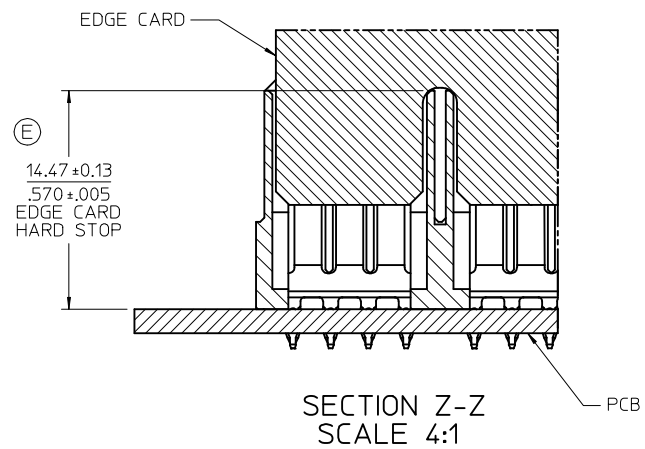


RECOMMENDED EDGE CARD LAYOUT  
EDGE CARD THICKNESS: 1.57/.062 ± 0.15/.006  
PLATING: GOLD 30 μ INCHES MIN.  
OVER 150 μ INCHES NICKEL.

45°X0.38/.015 TYP



PCB LAYOUT: COMPONENT SIDE  
SEE SHT 1 FOR DIMENSIONS



<b>SEE SHEET 1</b> EC NO: UCP2015-0571 DRAWN: BANDURA 2015/03/12 CHKD: APPR: APATEL 2015/04/20	QUALITY SYMBOLS	GENERAL TOLERANCES (UNLESS SPECIFIED)	DIMENSION STYLE MM/IN	SCALE 2:1	DESIGN UNITS METRIC	THIRD ANGLE PROJECTION															
		<table border="1"> <tr> <th></th> <th>mm</th> <th>INCH</th> </tr> <tr> <td>4 PLACES ±</td> <td>---</td> <td>---</td> </tr> <tr> <td>3 PLACES ±</td> <td>---</td> <td>±.010</td> </tr> <tr> <td>2 PLACES ±</td> <td>0.25</td> <td>---</td> </tr> <tr> <td>1 PLACE ±</td> <td>---</td> <td>---</td> </tr> </table>		mm	INCH	4 PLACES ±	---	---	3 PLACES ±	---	±.010	2 PLACES ±	0.25	---	1 PLACE ±	---	---	DRAWN BY: MKARADIMAS DATE: 2007/07/18 CHECKED BY: APATEL DATE: 2007/07/20 APPROVED BY: JCOMERCI DATE: 2009/12/03	TITLE: LPH VERTICAL RECEPTACLE COMPLIANT PIN ASSEMBLY 12CKT PWR CON, PRESS FIT		
		mm	INCH																		
	4 PLACES ±	---	---																		
3 PLACES ±	---	±.010																			
2 PLACES ±	0.25	---																			
1 PLACE ±	---	---																			
	ANGULAR ±1/2°	SEE CHART	MOLEX INCORPORATED DOCUMENT NO. SD-46114-120																		
	DRAFT WHERE APPLICABLE MUST REMAIN WITHIN DIMENSIONS	THIS DRAWING CONTAINS INFORMATION THAT IS PROPRIETARY TO MOLEX INCORPORATED AND SHOULD NOT BE USED WITHOUT WRITTEN PERMISSION																			