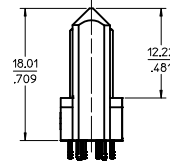
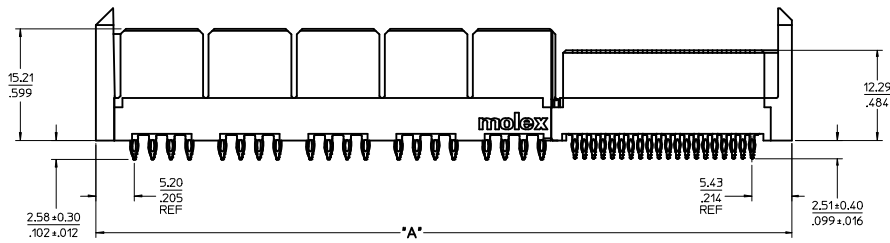
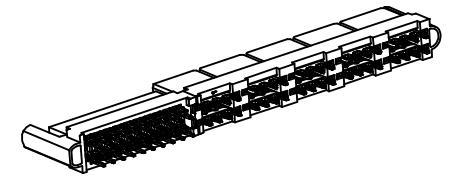


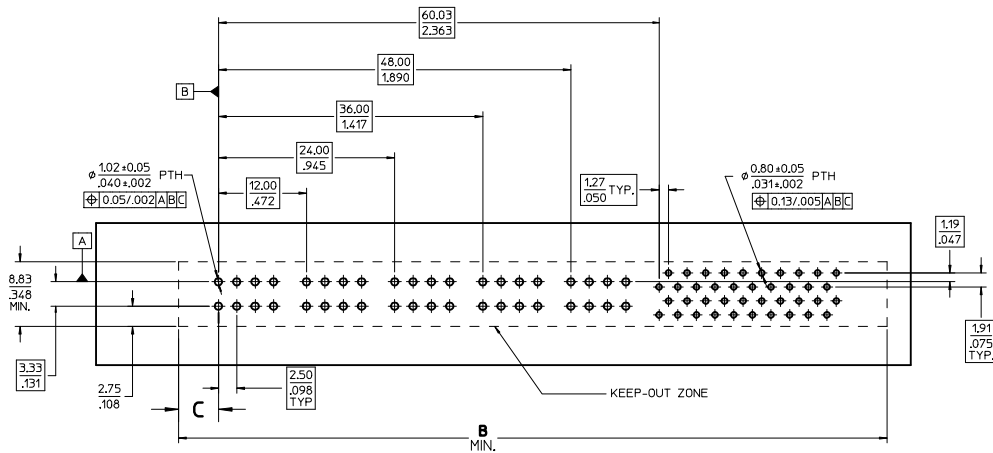
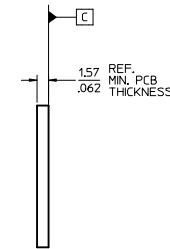
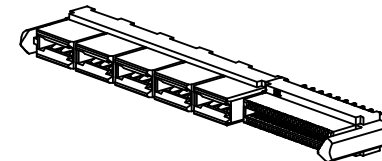
NO OF SIGNALS	MATERIAL NUMBER	COMPLIANT PIN PLATING	DIM A	DIM B	DIM C
12	46114-1012	TIN	77.01/3.032	77.51/3.052	5.45/215
16	46114-1016	TIN	79.55/3.132	80.05/3.152	
20	46114-1020	TIN	82.09/3.232	82.59/3.252	
24	46114-1024	TIN	84.63/3.332	85.13/3.352	
28	46114-1028	TIN	87.17/3.432	87.67/3.452	
32	46114-1032	TIN	89.71/3.532	90.21/3.552	
36	46114-1036	TIN	92.25/3.632	92.75/3.652	
40	46114-1040	TIN	94.79/3.732	95.29/3.752	



- NOTES:
1. MATERIAL: HOUSING: LCP, 94-VO, COLOR: BLACK. POWER CONTACTS: COPPER ALLOY. SIGNAL CONTACTS: MODIFIED TIN BRASS.
  2. FINISH: SELECT GOLD - 0.75 μM/30 μ INCHES. SELECTED TIN - 2.50 μM/100 μ INCHES. BOTH OVER NICKEL - 1.25 μM/50 μ INCHES.
  3. POWER TERMINALS ARE LUBRICATED IN CONTACT AREA.
  4. PARTS ARE RoHS COMPLIANT.
  5. MATES TO MOLEX P/N 459851-SERIES OR EDGE CARD 1577.062.
  6. PRODUCT SPECIFICATION PS-46114-001.
  7. PACKAGING: PER PK-46114-003.



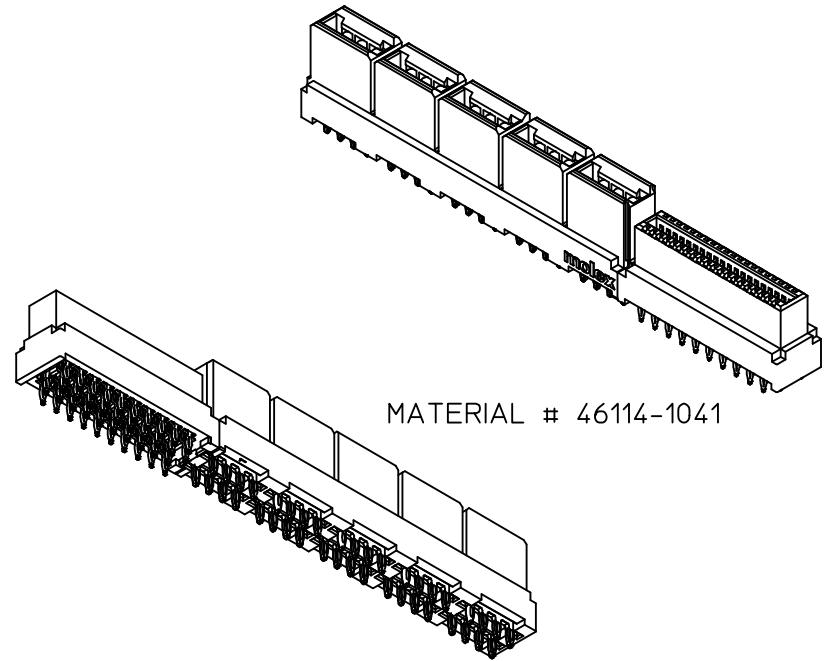
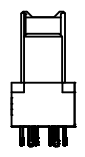
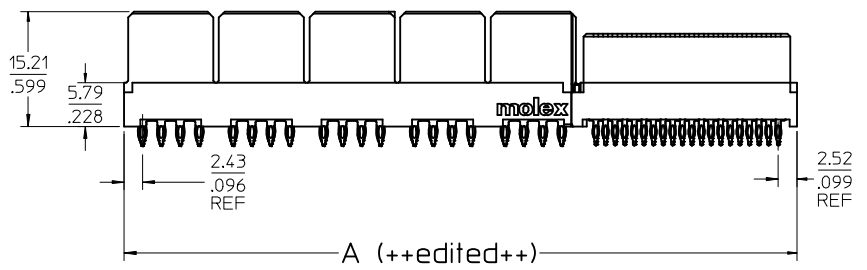
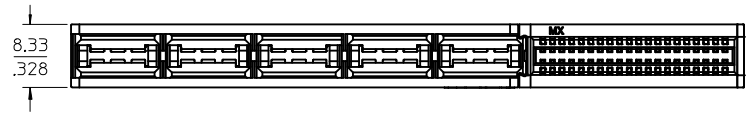
MATERIAL # 46114-1040 SHOWN  
SCALE 2:1



REEVIEW CARD EDGE IEC NO: LCP2015-0571 DRAWN: BANDIRA 2015/03/13 CHKD: APPR: APATEL 2015/04/20	QUALITY SYMBOLS	GENERAL TOLERANCES (UNLESS SPECIFIED)	DIMENSION STYLE	SCALE	DESIGN UNITS	THIRD ANGLE PROJECTION
		mm INCH	MM/IN	2:1	METRIC	
		4 PLACES ± --- ± --- 3 PLACES ± --- ± .010 2 PLACES ± 0.25 ± --- 1 PLACE ± --- ± --- ANGULAR ± 1/2°	DRAWN BY DATE MKARADI MAS 2011/08/04 CHECKED BY DATE APATEL 2011/08/05 APPROVED BY DATE	TITLE LPH VERTICAL RECEPTACLE	MOLEX INCORPORATED MATERIAL NO. SD-46114-100 DOCUMENT NO. SD-46114-100 SHEET NO. 1 OF 3	
	DRAFT WHERE APPLICABLE MUST REMAIN WITHIN DIMENSIONS	THIS DRAWING CONTAINS INFORMATION THAT IS PROPRIETARY TO MOLEX INCORPORATED AND SHOULD NOT BE USED WITHOUT WRITTEN PERMISSION				

13 12 11 10 9 8 7 6 5 4 3 2 1

NO OF SIGNALS	MATERIAL NUMBER	COMPLIANT PIN PLATING	DIM A	DIM B	DIM C
12	46114-1013	TIN	71.34/2.809	71.84/2.828	2.69/106
16	46114-1017	TIN	73.88/2.909	74.38/2.928	
20	46114-1021	TIN	76.42/3.009	76.92/3.028	
24	46114-1025	TIN	78.96/3.109	79.46/3.128	
28	46114-1029	TIN	81.50/3.209	82.00/3.228	
32	46114-1033	TIN	84.04/3.309	84.54/3.328	
36	46114-1037	TIN	86.58/3.409	87.08/3.428	
40	46114-1041	TIN	89.12/3.509	89.62/3.528	

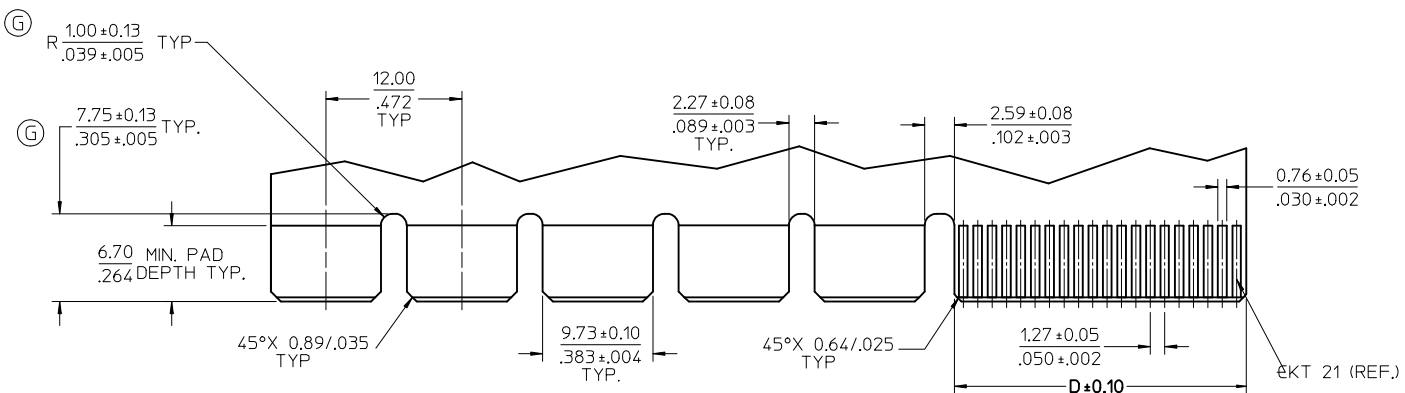
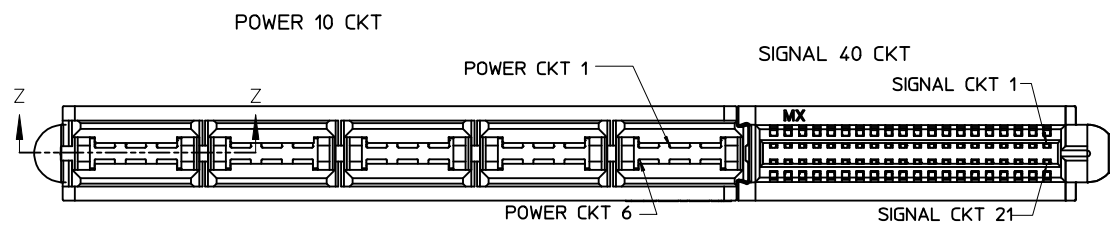


MATERIAL # 46114-1041

SEE SHT 1 EC NO: UCP2015-0571 DRWN:MBANDURA 2015/03/13 CHKD: APPR:APATEL 2015/04/20	QUALITY SYMBOLS	GENERAL TOLERANCES (UNLESS SPECIFIED)	DIMENSION STYLE MM/IN	SCALE 1:1	DESIGN UNITS METRIC	THIRD ANGLE PROJECTION																
	DESCRIPTION REV		<table border="1"> <tr> <th></th> <th>mm</th> <th>INCH</th> </tr> <tr> <td>4 PLACES ±</td> <td>---</td> <td>± ---</td> </tr> <tr> <td>3 PLACES ±</td> <td>---</td> <td>± .010</td> </tr> <tr> <td>2 PLACES ±</td> <td>0.25</td> <td>± ---</td> </tr> <tr> <td>1 PLACE ±</td> <td>---</td> <td>± ---</td> </tr> </table>		mm	INCH	4 PLACES ±	---	± ---	3 PLACES ±	---	± .010	2 PLACES ±	0.25	± ---	1 PLACE ±	---	± ---	DRAWN BY MKARADIMAS DATE 2011/08/04 CHECKED BY APATEL DATE 2011/08/05 APPROVED BY DATE	TITLE LPH VERTICAL RECEPTACLE		
			mm	INCH																		
		4 PLACES ±	---	± ---																		
3 PLACES ±	---	± .010																				
2 PLACES ±	0.25	± ---																				
1 PLACE ±	---	± ---																				
	ANGULAR ±1/2°	MATERIAL NO. SEE CHART	MOLEX INCORPORATED	DOCUMENT NO. SD-46114-100	SHEET NO. 2 OF 3																	
	DRAFT WHERE APPLICABLE MUST REMAIN WITHIN DIMENSIONS	SIZE C	THIS DRAWING CONTAINS INFORMATION THAT IS PROPRIETARY TO MOLEX INCORPORATED AND SHOULD NOT BE USED WITHOUT WRITTEN PERMISSION																			

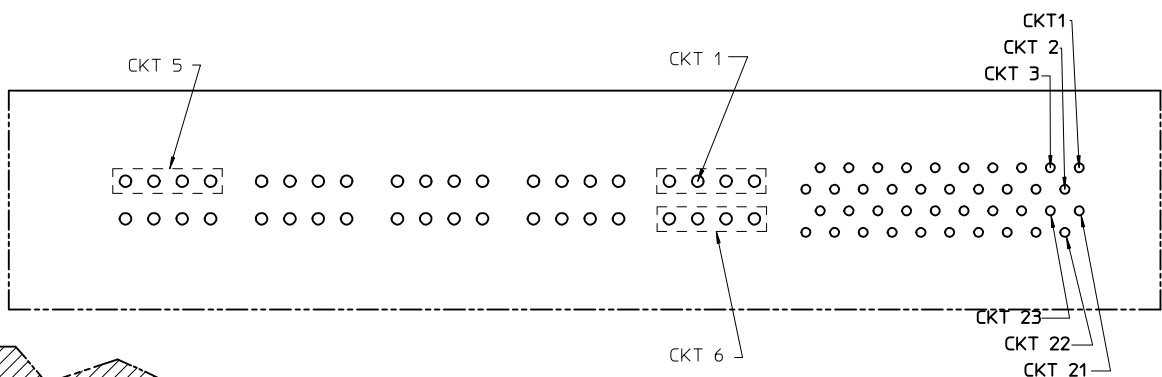
1b\_frame\_C\_P\_AM\_T Rev. E 2006/04/15 12 11 10 9 8 7 6 5 4 3 2 1

NO OF SIGNAL	DIM. D
12	8.00/.315
16	10.54/.415
20	13.08/.515
24	15.62/.615
28	18.16/.715
32	20.70/.817
36	23.24/.915
40	25.78/1.015

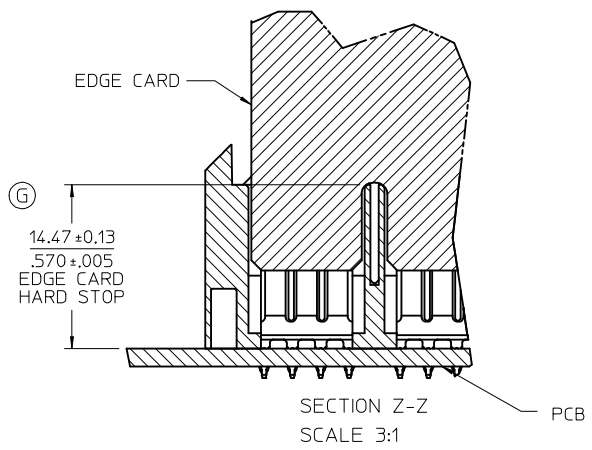


RECOMMENDED EDGE CARD LAYOUT

EDGE CARD THICKNESS:  
 $1.57/.062 \pm 0.15/.006$   
 PLATING:  
 GOLD  $30 \mu$  INCHES MIN.  
 OVER  $150 \mu$  INCHES NICKEL.



PCB LAYOUT  
 COMPONENT SIDE  
 SEE SHT 1 FOR  
 DIMENSIONS



SEE SHT 1 EC NO: UCP2015-0571 DRAWN: BANDURA 2015/03/13 CHKD: APPR: APATEL 2015/04/20	QUALITY SYMBOLS	GENERAL TOLERANCES (UNLESS SPECIFIED)	DIMENSION STYLE MM/IN	SCALE 3:1	DESIGN UNITS METRIC	THIRD ANGLE PROJECTION															
		<table border="1"> <tr> <th></th> <th>mm</th> <th>INCH</th> </tr> <tr> <td>4 PLACES</td> <td>± ---</td> <td>± ---</td> </tr> <tr> <td>3 PLACES</td> <td>± ---</td> <td>± .010</td> </tr> <tr> <td>2 PLACES</td> <td>± 0.25</td> <td>± ---</td> </tr> <tr> <td>1 PLACE</td> <td>± ---</td> <td>± ---</td> </tr> </table> ANGULAR $\pm 1/2^\circ$		mm	INCH	4 PLACES	± ---	± ---	3 PLACES	± ---	± .010	2 PLACES	± 0.25	± ---	1 PLACE	± ---	± ---	DRAWN BY: MKARADIMAS DATE: 2011/08/04 CHECKED BY: APATEL DATE: 2011/08/05 APPROVED BY:	TITLE LPH VERTICAL RECEPTACLE	MATERIAL NO. SEE CHART	DOCUMENT NO. SD-46114-100
	mm	INCH																			
4 PLACES	± ---	± ---																			
3 PLACES	± ---	± .010																			
2 PLACES	± 0.25	± ---																			
1 PLACE	± ---	± ---																			
DRAFT WHERE APPLICABLE MUST REMAIN WITHIN DIMENSIONS		THIS DRAWING CONTAINS INFORMATION THAT IS PROPRIETARY TO MOLEX INCORPORATED AND SHOULD NOT BE USED WITHOUT WRITTEN PERMISSION																			