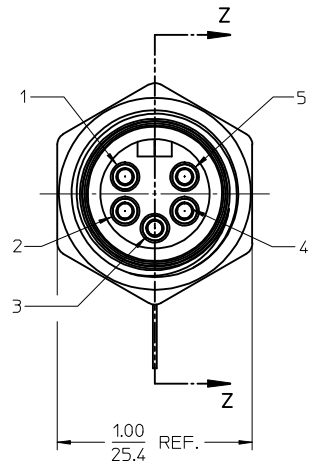
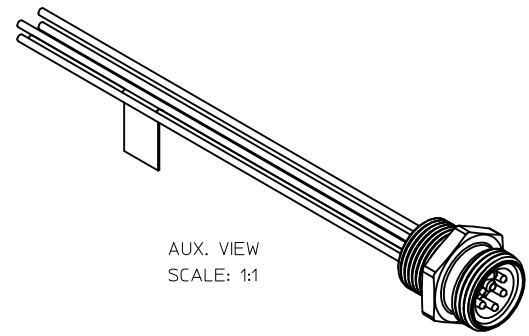
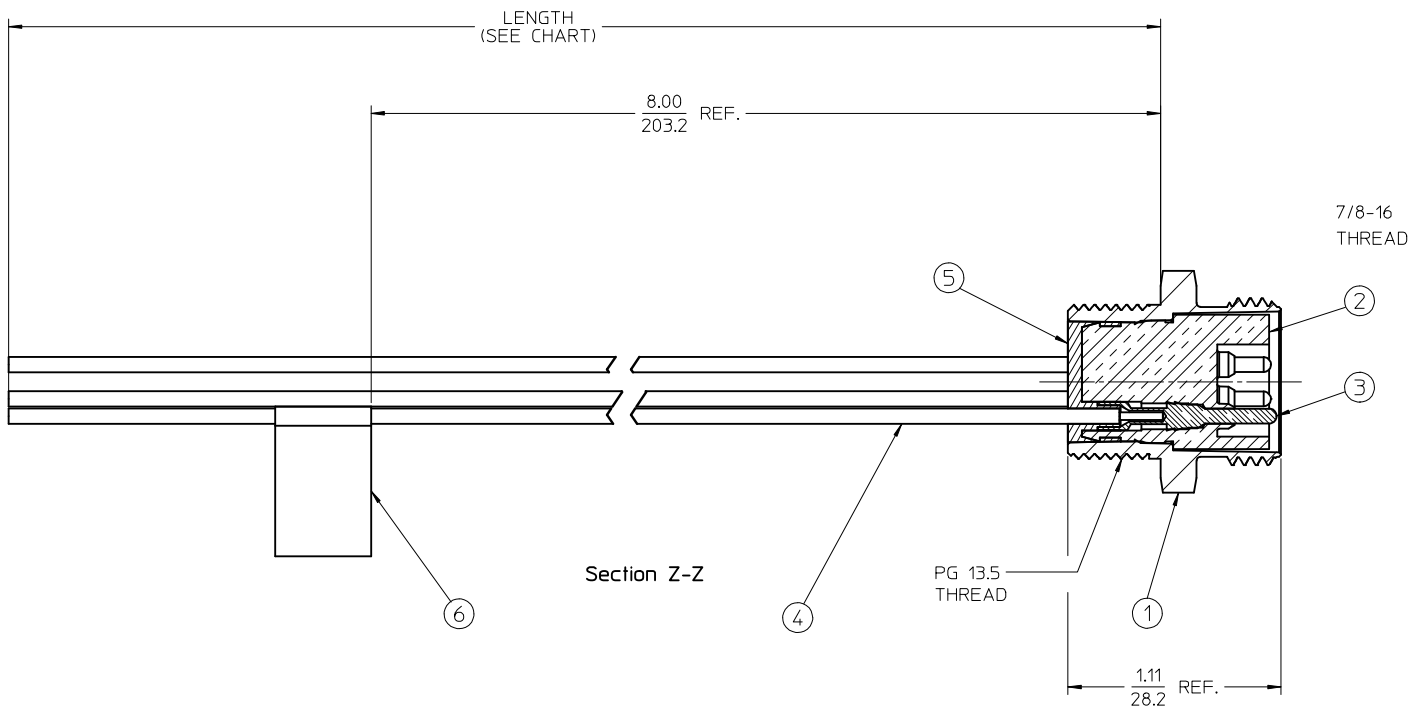
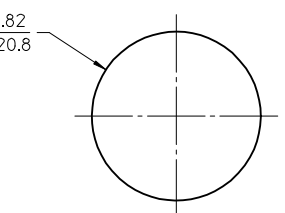


MATERIAL NO.	ENGINEERING NO.	LENGTH
1300130548	1R5D06A25A120	12.0 +.75 -0 (304.8 +19.1 -0)



Section Z-Z



- NOTES:
 1. MATERIAL: SEE TABLE
 2. FINISHES: SEE TABLE
 3. MATES WITH: 5C MINI CHANGE CABLE
 4. ELECTRICAL SPECIFICATIONS:
 VOLTAGE RATING: 300V AC/DC
 CURRENT RATING: 5.6 AMPS
 5. ASSEMBLY IS RoHS COMPLIANT

BLACK	1
BLUE	2
GREEN/YELLOW	3
BROWN	4
WHITE	5

WIRING DIAGRAM

6	1	LABEL	PLASTIC FILM	BLACK/YELLOW
5	1	POTTING MATERIAL	EPOXY	
4	5	WIRE, 18 AWG	PVC INSULATION	SEE WIRE DIAGRAM
3	5	CONTACT PIN	Cu ALLOY	GOLD PLATED
2	1	INSERT	PVC	YELLOW
1	1	RECEPTACLE SHELL	ALUMINUM	CLEAR ANODIZED
ITEM	QTY.	DESCRIPTION	MATERIAL	FINISH

RELEASED
 EC NO: MNA2010-0125
 DRAWN BY: DRWINRSTONE 2009/08/26
 CHKD: 2009/08/26
 APPR: JFMURPHY 2009/08/27

QUALITY SYMBOLS
 ▽=0
 ▽=0

GENERAL TOLERANCES (UNLESS SPECIFIED)

	mm	INCH
4 PLACES ±	---	---
3 PLACES ±	---	---
2 PLACES ±	---	±.01
1 PLACE ±	±0.3	±---

ANGULAR ±1/2°

DRAFT WHERE APPLICABLE
 MUST REMAIN
 WITHIN DIMENSIONS

DIMENSION STYLE
 IN/MM

DRAWN BY: R.STONE DATE: 2009/08/24
 CHECKED BY: B.WOODMAN DATE: 2009/08/27
 APPROVED BY: JFMURPHY DATE: 2009/08/26

MATERIAL NO.
SEE CHART

SIZE
 C

SCALE 2:1
 DESIGN UNITS INCH
 THIRD ANGLE PROJECTION

TITLE
**MINI-CHANGE, RECEPTACLE
 5P. MALE, 18 AWG
 PG 13.5 THREAD**

molex MOLEX INCORPORATED

DOCUMENT NO. SD-130013-084
 SHEET NO. 1 OF 1

THIS DRAWING CONTAINS INFORMATION THAT IS PROPRIETARY TO MOLEX INCORPORATED AND SHOULD NOT BE USED WITHOUT WRITTEN PERMISSION