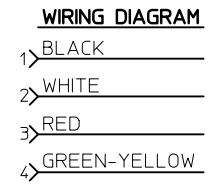
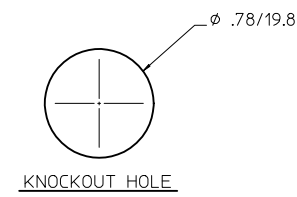
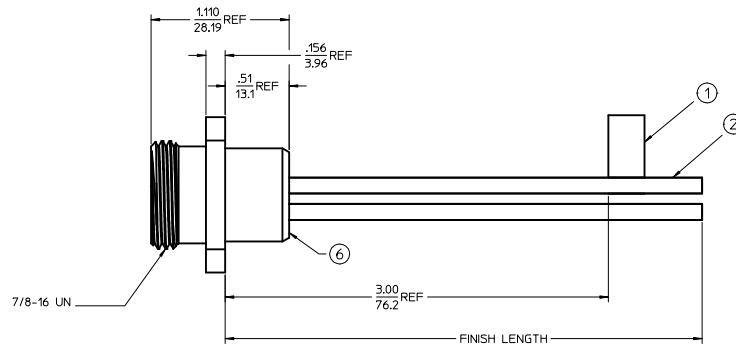
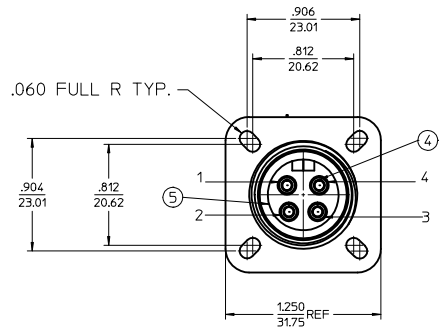
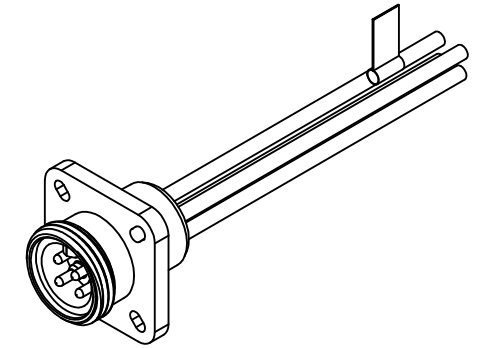


MATERIAL NUMBER	OLD PART NUMBER	FINISH LENGTH
130013-0409	1R4G06A20A120	1.0'+.75-0 [.3M+19.1-0]

VOLTAGE RATING	600 VAC/VDC
AMPERAGE RATING	10A
PROJECTION	IP67
OPERATING TEMPERATURE	-20° C TO 105° C
UL CERTIFICATIONS	UL RECOGNIZED, FILE NO. E152210
CSA CERTIFICATIONS	CSA CERTIFIED, FILE NO. LR6837



ITEM.	QTY.	COMPONENT	MATERIAL	FINISH
1	1	FLAG LABEL	PLASTIC FILM	BLACK/YELLOW
2	4	CONDUCTOR-16 AWG. 26X#30 COPPER STRANDING 600V	PVC	SEE WIRING DIAGRAM
3	1	RECEPTACLE SHELL	ALUMINUM	ANODIZED
4	4	CONTACT PIN	COPPER ALLOY	GOLD PLATED
5	1	4 POLE INSERT	PVC	YELLOW
6	1	POTTING	EPOXY	BLACK

RELEASED EC NO: WNAZ010-0423 DRAWN BY: CHYKOB. WOODMAN 2010/01/14 CHECKED BY: JFMURPHY 2010/01/14 APPR: JFMURPHY 2010/01/14	QUALITY SYMBOLS ▽=0 ▽=0	GENERAL TOLERANCES (UNLESS SPECIFIED) <table border="1"> <thead> <tr> <th></th> <th>mm</th> <th>INCH</th> </tr> </thead> <tbody> <tr> <td>4 PLACES</td> <td>±.005</td> <td>±.0005</td> </tr> <tr> <td>3 PLACES</td> <td>±.010</td> <td>±.0010</td> </tr> <tr> <td>2 PLACES</td> <td>±0.013</td> <td>±.010</td> </tr> <tr> <td>1 PLACE</td> <td>±0.025</td> <td>±.020</td> </tr> </tbody> </table> ANGULAR ±1/2°		mm	INCH	4 PLACES	±.005	±.0005	3 PLACES	±.010	±.0010	2 PLACES	±0.013	±.010	1 PLACE	±0.025	±.020	DIMENSION STYLE IN/MM	SCALE 2:1	DESIGN UNITS INCH	THIRD ANGLE PROJECTION
		mm	INCH																		
4 PLACES	±.005	±.0005																			
3 PLACES	±.010	±.0010																			
2 PLACES	±0.013	±.010																			
1 PLACE	±0.025	±.020																			
DRAFT WHERE APPLICABLE MUST REMAIN WITHIN DIMENSIONS	MATERIAL NO. SEE CHART	DATE 2009/07/02	DATE 2009/07/02	DATE 2010/01/14	TITLE MALE FLANGE RECEPTACLE MINI-CHANGE 4P 16AWG PVC	MOLEX INCORPORATED															