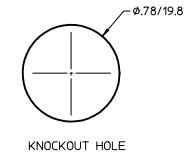
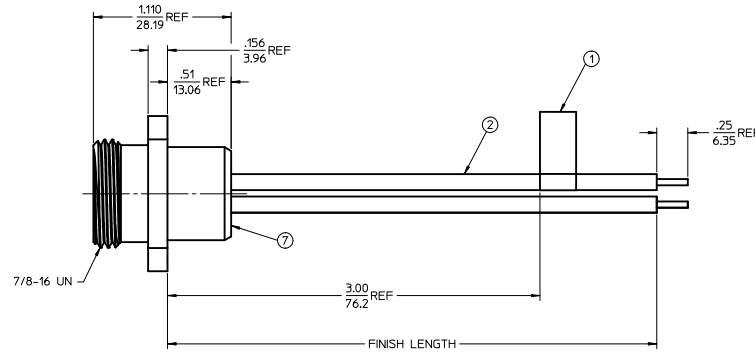
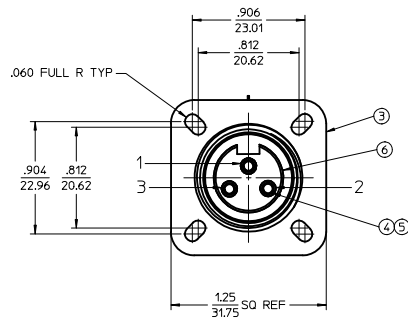
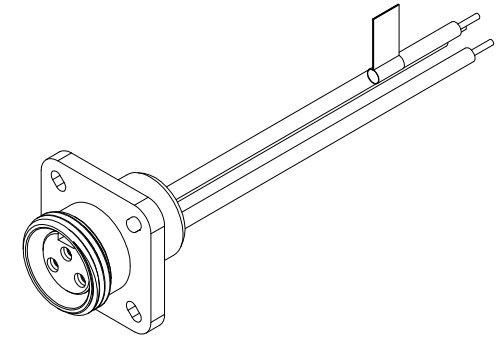


MATERIAL NUMBER	OLD PART NUMBER	FINISH LENGTH
130013-0273	1R3G04A20A120	1.0'+.75"-0 [.3M+19.1-0]

VOLTAGE RATING	600 VAC/VDC
AMPERAGE RATING	13A
PROJECTION	IP67
OPERATING TEMPERATURE	-20° C TO 105° C
UL CERTIFICATIONS	UL RECOGNIZED, FILE NO. E152210
CSA CERTIFICATIONS	CSA CERTIFIED, FILE NO. LR6837



WIRING DIAGRAM

- 1 > GREEN/YELLOW-GND
- 2 > BLACK
- 3 > WHITE

ITEM.	QTY.	COMPONENT	MATERIAL	FINISH
1	1	FLAG LABEL	PLASTIC FILM	BLACK/YELLOW
2	3	CONDUCTOR-16 AWG, 26X#30 COPPER STRANDING 600V	PVC	SEE WIRING DIAGRAM
3	1	RECEPTACLE SHELL	ALUMINUM	ANODIZED
4	3	SOCKET SLEEVE	STAINLESS STEEL	
5	3	CONTACT SOCKET	COPPER ALLOY	GOLD PLATED
6	1	3 POLE INSERT	PVC	YELLOW
7	1	POTTING	EPOXY	BLACK

CREATE DOC EC NO: WNA2010-0423 DRAWN BY: B. RUPERT CHKD BY: WOODMAN APPR: J. MURPHY DATE: 2010/01/14	QUALITY SYMBOLS	GENERAL TOLERANCES (UNLESS SPECIFIED)	DIMENSION STYLE	SCALE	DESIGN UNITS	THIRD ANGLE PROJECTION
	4 PLACES ±.005 3 PLACES ±.005 2 PLACES ±0.013 1 PLACE ±.013 ANGULAR ±1/2°	mm INCH ±.005 ±.005 ±.013 ±.013 ±.013 ±.013	IN/MM 2:1 INCH	DRAWN BY: B. RUPERT CHECKED BY: B. WOODMAN APPROVED BY: J. MURPHY DATE: 01/07/2010 DATE: 01/07/2010 DATE: 2010/01/14	TITLE: FEMALE FLANGED RECEPTACLE MINI-CHANGE 3P 16AWG PVC	MATERIAL NO. SD-130013-016 DOCUMENT NO.
	DRAFT WHERE APPLICABLE MUST REMAIN WITHIN DIMENSIONS	SEE CHART	THIS DRAWING CONTAINS INFORMATION THAT IS PROPRIETARY TO MOLEX INCORPORATED AND SHOULD NOT BE USED WITHOUT WRITTEN PERMISSION			