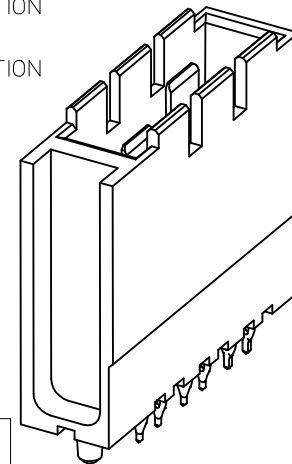
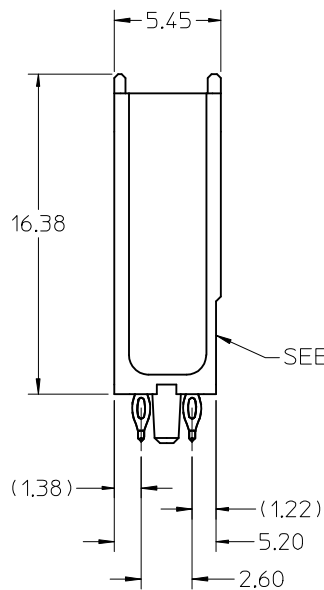
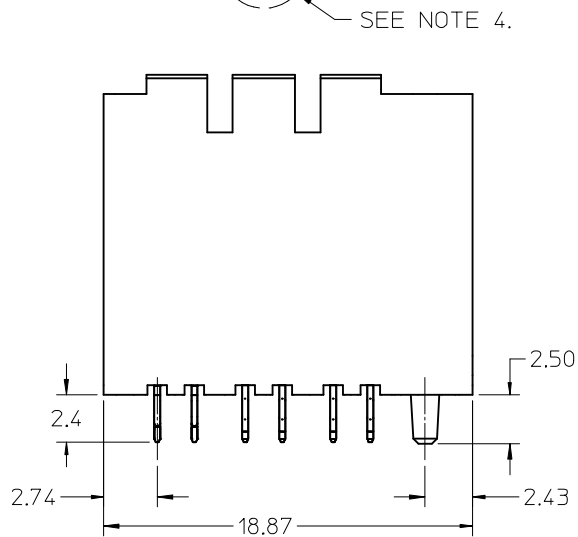


- NOTES:
1. MATERIALS: HOUSING - LIQUID CRYSTAL POLYMER (LCP), UL 94V-0, GRAY; CONTACT - COPPER ALLOY.
 2. FINISH: SELECT GOLD IN CONTACT AREA, 50 MICROINCH THICK; MATTE TIN IN COMPLIANT AREA.
 3. PACKAGING PER PK-70873-571.
 4. CONTACTS IN EACH ROW HAVE THE SAME WIPE LENGTH.
 5. BACKPLANE ASSEMBLY MATES WITH DAUGHTERCARD POWER MODULE 75292-3***.
 6. PART SHOWN IS 75331-0467.
 7. SEE OTHER SHEETS FOR ADDITIONAL NOTES.
 8. WHEN INSERTING OPEN SIGNAL MODULES NEXT TO COLUMN 1 SIDE OF POWER MODULES, SIGNAL MODULES MUST BE INSERTED BEFORE THE POWERS TO AVOID INTERFERENCE BETWEEN THE TWO CONNECTOR HOUSINGS.
 9. THESE PARTS CONFORM TO MOLEX PRODUCT SPECIFICATION PS-75221-999.
 10. THESE PARTS CONFORM TO MOLEX COSMETIC SPECIFICATION PS-45499-002.



1-UP ASSEMBLY PART NUMBER

7 5 3 3 1 - 0 A B C

- MATT TIN (FORMERLY TIN/LEAD) PLATED PRODUCT -
FOR EACH ROW LOCATION A, B, C:

- 0 = VOID
- 4 = 4.5 mm WIPE
- 6 = 6.0 mm WIPE
- 7 = 7.5 mm WIPE

- MATTE TIN PLATED PRODUCT -
FOR EACH ROW LOCATION A, B, C:

- 0 = VOID
- 2 = 4.5 mm WIPE
- 3 = 6.0 mm WIPE
- 5 = 7.5 mm WIPE

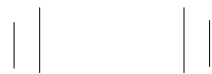
THE PRIMARY CARTON WITH A LABEL STATING
"ELV AND RoHS COMPLIANT" IS LEAD FREE.
CARTONS WITHOUT THIS LABEL MAY CONTAIN LEAD.

| | | | | | | | |
|---|--------------------|--|--|---|---------------------|---|------------------------|
| LEAD FREE CONVERSION EC NO: UCP2013-2305 DRW:RWH/PPLE 2012/12/07 CHKD:MMOLFE 2012/12/07 APPR:SMILLER 2012/12/17 | DESCRIPTION REV | QUALITY SYMBOLS | GENERAL TOLERANCES (UNLESS SPECIFIED) | DIMENSION STYLE MM ONLY | SCALE 4:1 | DESIGN UNITS METRIC | THIRD ANGLE PROJECTION |
| | | $\nabla = 0$ $\nabla = 0$ $\nabla = 0$ | mm INCH 4 PLACES ± --- ± --- 3 PLACES ± --- ± --- 2 PLACES ± .13 ± --- 1 PLACE ± 0.25 ± --- 0 PLACE ± ± | DRAWN BY DATE ELO 2005/02/18 CHECKED BY DATE ELO 2005/02/22 APPROVED BY DATE CUNNINGHAM 2005/02/23 | TITLE | GBX 3 PAIR BACKPLANE POWER SALES ASSEMBLY | |
| | | ANGULAR ± --- ° DRAFT WHERE APPLICABLE MUST REMAIN WITHIN DIMENSIONS | MATERIAL NO. SEE CHART | DOCUMENT NO. SD-75331-001 | SHEET NO. 1 OF 4 | | |
| | | THIS DRAWING CONTAINS INFORMATION THAT IS PROPRIETARY TO MOLEX INCORPORATED AND SHOULD NOT BE USED WITHOUT WRITTEN PERMISSION | | | | | |

10 9 8 7 6 5 4 3 2 1



- MATTE TIN (FORMERLY TIN/LEAD) PLATED PRODUCT -
FOR EACH



SEE SHEET 1 FOR ADDITIONAL INFORMATION
CHECK WITH PRODUCT MANAGER FOR AVAILABILITY

| | | | | | | | | | | | |
|---|--------------------|-----------------|--|-------------|----------------------------|------------------------------|--|--|------------------------|--|--|
| SEE SHEET 1 EC NO: UCP2013-2305 DIR: W/R/H/PPLE 2012/12/07 CHKD: MWOLFE 2012/12/07 APPR: SMILLER 2012/12/17 | DESCRIPTION REV | QUALITY SYMBOLS | GENERAL TOLERANCES (UNLESS SPECIFIED) | | DIMENSION STYLE MM ONLY | | SCALE 4:1 | DESIGN UNITS METRIC | THIRD ANGLE PROJECTION | | |
| | | ▽=0 | 4 PLACES | mm | INCH | DRAWN BY | DATE | TITLE GBX 3 PAIR BACKPLANE POWER SALES ASSEMBLY | | | |
| | | ▽=0 | 3 PLACES | ± | ± | ELO | 2005/02/18 | | | | |
| | | ▽=0 | 2 PLACES | ±.13 | ± | CHECKED BY | DATE | MATERIAL NO. SEE CHART | | | |
| | | ▽=0 | 1 PLACE | ±0.25 | ± | ELO | 2005/02/22 | | | | |
| | 0 PLACE | ± | ± | APPROVED BY | DATE | DOCUMENT NO. SD-75331-001 | | SHEET NO. 2 OF 4 | | | |
| | | | ANGULAR ±---° | | MATERIAL NO. | | | | | | |
| | | | DRAFT WHERE APPLICABLE MUST REMAIN WITHIN DIMENSIONS | | SIZE B | | THIS DRAWING CONTAINS INFORMATION THAT IS PROPRIETARY TO MOLEX INCORPORATED AND SHOULD NOT BE USED WITHOUT WRITTEN PERMISSION | | | | |

9 8 7 6 5 4 3 2 1