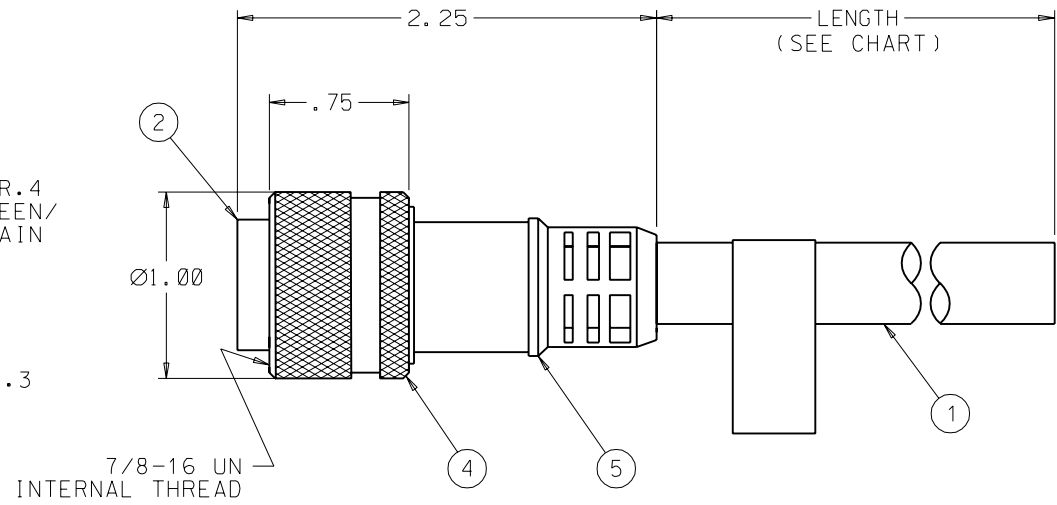
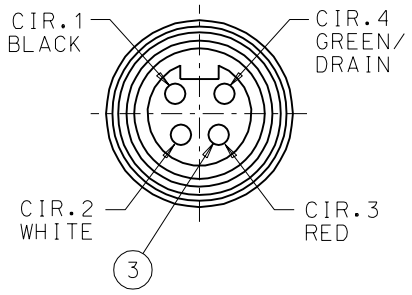


PART NO.	LENGTH
849140303	2M
849140304	5M
849140305	10M
849140323	4M
849140324	8M

REV	DATE	ECN NO.	APPVD BY	REL BY
A	2-25-00	UM2000-0454 PROD. REL.	FVW	
B	8-24-00	UM2001-0054		



P1

1	BLK
2	WHT
3	RED
4	GRN
	DRAIN

WIRING DIAGRAM

5	1	MOLDED BODY	PVC/COLOR:GRAY
4	1	COUPLING RING, INT. THD.	STAINLESS STEEL
3	4	CONTACT, PIN	COPPER ALLOY/TIN PLATED
2	1	INSERT, PIN	PVC/COLOR:GRAY
1	SEE CHART	CABLE, 4/C, 16 AWG.	PUR JACKET/COLOR: GRAY
ITEM	QTY	DESCRIPTION	MATERIAL/FINISH

QUALITY SYMBOLS MAJOR = CRITICAL = SPC =	UNLESS SPECIFIED: ALL DIMENSIONS IN INCHES GENERAL TOLERANCES: 3 PLACE ±.005 2 PLACE ±.01 ANGULAR ±2°	SCALE --- DWG SIZE B THIRD ANGLE PROJECTION REVISE ON CAD ONLY
	DRAWN BY & DATE GF 2-25-00	TITLE: MINI-C. PLUG, MALE, 4 POLE, 16 AWG, PUR, NEC
	CHECKED BY & DATE SU 2-25-00	
	APPROVED BY & DATE DW 2-25-00	Molex MOLEX INCORPORATED Orange, CA 92868
Uti-Mate CAGE CODE 58967	PART NO. SEE CHART DRAWING NO. SD-84914-0303 SHEET NO. 1 OF 1	REV B

THIS DRAWING CONTAINS INFORMATION THAT IS PROPRIETARY TO MOLEX INCORPORATED AND SHOULD NOT BE USED WITHOUT WRITTEN PERMISSION.