

NOTES:

- MATERIALS: HOUSING - LIQUID CRYSTAL POLYMER (LCP)  
GLASS-FILLED, UL94V-0  
TERMINALS - HIGH PERFORMANCE COPPER ALLOY
- FINISH: 30µ MIN GOLD IN CONTACT AREA.  
SELECTIVE TIN ON PCB TAILS.  
NICKEL OVERALL.
- REFER TO MOLEX PRODUCT SPECIFICATION PS-76060-999  
FOR PERFORMANCE SPECIFICATIONS AND ADDITIONAL PCB INFORMATION.
- THIS PART CONFORMS TO CLASS B REQUIREMENTS OF  
MOLEX COSMETIC SPEC PS-45499-002.
- PACKAGE PER: PK-70873-759.
- SEE SHEETS 2 & 3 FOR PART NUMBERS AND BOARD RELATIONSHIPS.
- FOR GROUNDED GUIDE PINS USE DIA. 3.56 +/-0.08 (PTH)  
DIA. 3.66 (DRILL) AND DIA 6.5 (PAD).
- MATES WITH IMPACT DC SERIES NO. 76060.
- KEEP OUT ZONE FOR BP HOUSING LENGTH INCLUDES AN ADDITIONAL 10MM  
TO ACCOMMODATE FOR SPACE REQUIRED BY DC FRONT HOUSING.
- REFER TO MOLEX PCB ROUTING GUIDE AS-76060-990 FOR ANTI PAD AND ROUTING RECOMMENDATIONS.
- CONNECTORS SUPPLIED WITH A 2-56 UNC-2A SCREW.
- \*THESE DIMENSIONS REPRESENT THE AREA NEEDED TO ACCOMMODATE CONNECTOR INSERTION AND REPAIR  
ON THE PC BOARD. THIS IS REFERRED TO AS THE 'CONNECTOR KEEP OUT ZONE' AND DOES NOT  
REPRESENT THE ACTUAL PERIMETER OF THE CONNECTOR. WHEN LAYING OUT A PC BOARD FOR CONNECTORS  
STACKED TOGETHER, USE A 1.9mm PROGRESSION.\*

<b>CONVERT TO LEAD-FREE</b> EC NO: UICP2013-2078 DRAWN: I. BARRA 2012/11/26 CHECKED: J. BINGHAM 2012/12/18 APPR: S. MILLER 2012/12/31 REV DESCRIPTION	QUALITY SYMBOLS	GENERAL TOLERANCES (UNLESS SPECIFIED)	DIMENSION STYLE	SCALE	DESIGN UNITS	THIRD ANGLE PROJECTION
	$\nabla=0$ $\nabla=0$ $\nabla=0$	4 PLACES ± mm INCH 3 PLACES ± --- ± --- 2 PLACES ±0.13 ± --- 1 PLACE ±0.25 ± --- 0 PLACE ± ± ---	MM ONLY	4:1	METRIC	DRAWN BY DATE MSANDBERG 05/24/2007 CHECKED BY DATE JL LAURX 05/24/2007 APPROVED BY DATE JL LAURX 2010/10/15
	ANGULAR ±1/2°	DRAFT WHERE APPLICABLE MUST REMAIN WITHIN DIMENSIONS	SEE TABLE	MATERIAL NO.	DOCUMENT NO.	SHEET NO.
					SD-76055-003	1 OF 3
THIS DRAWING CONTAINS INFORMATION THAT IS PROPRIETARY TO MOLEX INCORPORATED AND SHOULD NOT BE USED WITHOUT WRITTEN PERMISSION						

# PART NUMBER LOGIC

76055-\*\*\*\*

MODULE TYPE  
 5 = GUIDE RIGHT, TIN  
 9 = GUIDE RIGHT END WALL, TIN

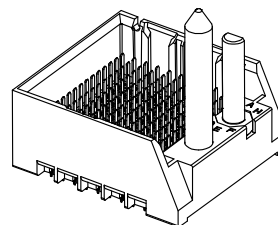
PIN LENGTH (P)  
 3 = 4.50 (SHORT COMPLIANT, 0.46±0.05 PTH)  
 4 = 4.90 (SHORT COMPLIANT, 0.46±0.05 PTH)  
 5 = 5.50 (SHORT COMPLIANT, 0.46±0.05 PTH)  
 6 = 4.50 (MICRO COMPLIANT, 0.39±0.05 PTH)  
 7 = 4.90 (MICRO COMPLIANT, 0.39±0.05 PTH)  
 8 = 5.50 (MICRO COMPLIANT, 0.39±0.05 PTH)

# OF COLUMNS  
 1 = 10 COL  
 2 = 12 COL  
 6 = 16 COL  
 7 = 14 COL

KEY ORIENTATION  
 0 = NO KEY  
 1 = A  
 2 = B  
 3 = C  
 4 = D  
 5 = E  
 6 = F  
 7 = G  
 8 = H

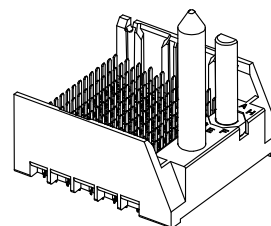
## PART NUMBER TABLE

MATERIAL NUMBER	# OF COLUMNS	# OF DIFF PAIR	DIM "A"	DIM "B"	GUIDE RIGHT END WALL OPTION
76055-*1**	10	50	26.9	17.10	
76055-*2**	12	60	30.7	20.90	
76055-*7**	14	70	34.5	24.70	
76055-*6**	16	80	38.3	28.50	



GUIDE RIGHT  
END WALL  
OPTION

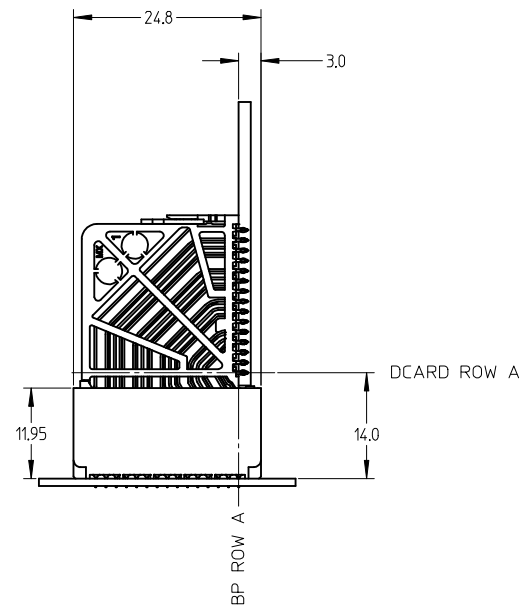
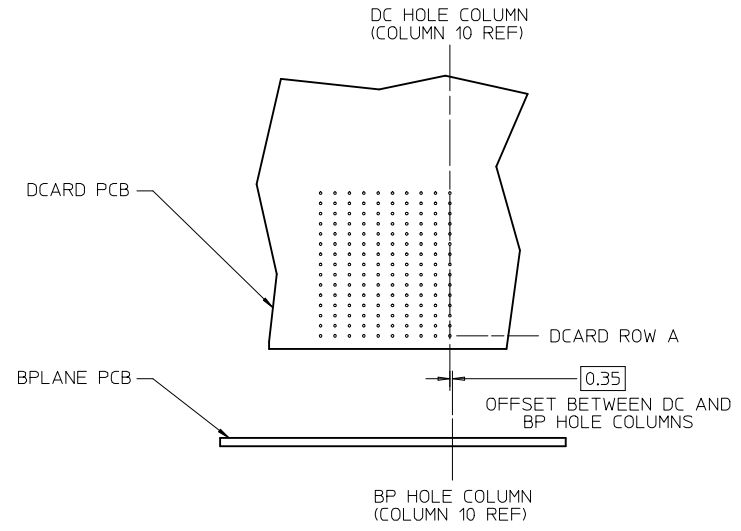
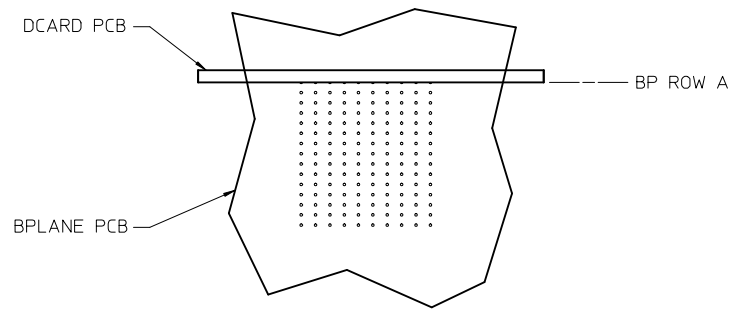
MATERIAL NUMBER	# OF COLUMNS	# OF DIFF PAIR	DIM "A"	DIM "B"	GUIDE RIGHT OPEN WALL OPTION
76055-*1**	10	50	25.5	17.10	
76055-*2**	12	60	29.3	20.90	
76055-*7**	14	70	33.1	24.70	
76055-*6**	16	80	36.9	28.50	



GUIDE RIGHT  
OPEN WALL  
OPTION

SEE SHEET 1 EC NO: UCP2013-2078 DRWNT:IBARRA 2012/11/26 CHKD:JBINGHAM 2012/12/18 APPR:SMILLER 2012/12/31	QUALITY SYMBOLS	GENERAL TOLERANCES (UNLESS SPECIFIED)	DIMENSION STYLE MM ONLY	SCALE 2:1	DESIGN UNITS METRIC	THIRD ANGLE PROJECTION	
	▽=0	mm INCH	DRAWN BY DATE MSANDBERG 05/24/2007	TITLE	IMPACT 5 PAIR HEADER RIGHT GUIDED ASSEMBLY SALES DRAWING		
	▽=0	4 PLACES ± --- ± --- 3 PLACES ± --- ± --- 2 PLACES ± 0.13 ± --- 1 PLACE ± 0.25 ± --- 0 PLACE ± ±	CHECKED BY DATE JLAURX 05/24/2007				
	▽=0	ANGULAR ±1/2°	APPROVED BY DATE JLAURX 2010/10/15				
REV	DRAFT WHERE APPLICABLE MUST REMAIN WITHIN DIMENSIONS	SIZE C	MATERIAL NO. SEE TABLE	DOCUMENT NO. SD-76055-003	SHEET NO. 2 OF 3		

IMPACT 5 PAIR  
BOARD RELATIONSHIPS



SEE SHEET 1 EC NO: UCP2013-2078 DRWN: TIBARRA 2012/11/26 CHKD: BINGHAM 2012/12/18 APPR: MILLER 2012/12/31	QUALITY SYMBOLS	GENERAL TOLERANCES (UNLESS SPECIFIED)	DIMENSION STYLE	SCALE	DESIGN UNITS	THIRD ANGLE PROJECTION
	▽=0	mm INCH	MM ONLY	2:1	METRIC	
	▽=0	4 PLACES ± --- ± ---	DRAWN BY DATE	TITLE		
	▽=0	3 PLACES ± --- ± ---	MSANDBERG 05/24/2007	IMPACT 5 PAIR HEADER RIGHT GUIDED ASSEMBLY SALES DRAWING		
	▽=0	2 PLACES ± 0.13 ± ---	CHECKED BY DATE	<b>molex</b> DOCUMENT NO. SD-76055-003 SHEET NO. 3 OF 3		
	1 PLACE ± 0.25 ± ---	JLAURX 05/24/2007				
	0 PLACE ± ±	APPROVED BY DATE				
		JLAURX 2010/10/15				
		ANGULAR ±1/2°				
		DRAFT WHERE APPLICABLE MUST REMAIN WITHIN DIMENSIONS				
			SIZE C	THIS DRAWING CONTAINS INFORMATION THAT IS PROPRIETARY TO MOLEX INCORPORATED AND SHOULD NOT BE USED WITHOUT WRITTEN PERMISSION		