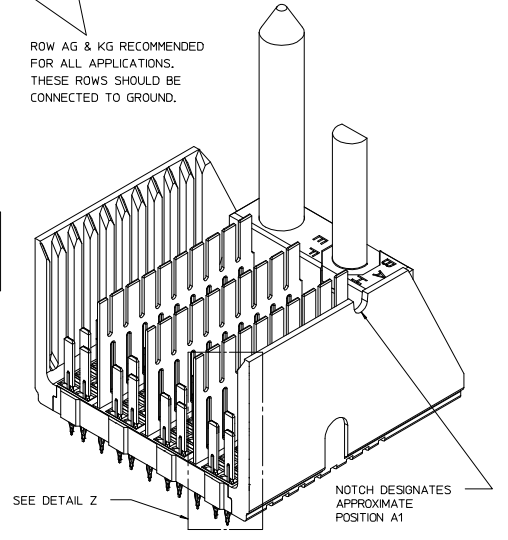


THE PRIMARY CARTON WITH A LABEL STATING "ELV AND RoHS COMPLAINT" IS LEAD FREE. CARTONS WITHOUT THIS LABEL MAY CONTAIN LEAD.

ASSY PART NO.	K	L	P	TOTAL NO. OF DIFFERENTIAL PAIRS
75830-31**	9	16.65	24.78	40
75830-32**	24	44.40	52.53	100
75830-37**	6	11.10	19.23	28



- NOTES:**
- MATERIAL: HOUSING - LIQUID CRYSTAL POLYMER (LCP) GLASS-FILLED, UL 94V-0, COLOR - GRAY, ELECTRICALLY ENHANCED INSERT: CONDUCTIVE RESIN, COLOR - BLACK, SIGNAL CONTACT AND GROUND BLADE - HIGH PERFORMANCE COPPER ALLOY.
 - FINISHES: SELECTIVE GOLD (Au) ON CONTACT AREA, SELECTIVE MATTE TIN (Sn) ON PCB TAILS, NICKEL (Ni) OVERALL.
 - THESE PARTS CONFORM TO MOLEX PRODUCT SPECIFICATION PS-75221-999.
 - FOR MIXED CONTACT MATING LENGTHS CONSULT MOLEX FOR AVAILABILITY. CONTACT PAIRS MUST BE THE SAME LENGTH.
 - FOR SPECIFIC PART NUMBER AND MATING INFORMATION PLEASE REFER TO CHART.
 - PACKAGE PER PK-70873-563.
 - EITHER MARK PART NUMBER AND DATE CODE APPROXIMATELY WHERE SHOWN OR PLACE A LABEL ON THE TUBE.
 - OPTIONAL HOLE LOCATION FOR GROUNDED GUIDE PIN OR ADDITIONAL GUIDE PIN SUPPORT. SEE DRAWING SD-75234-100 FOR DETAIL & LOCATION.
 - MINIMUM BOARD THICKNESS: 1.6
 - THESE PARTS CONFORM TO MOLEX COSMETIC SPECIFICATION PS-45499-002 CLASS B
 - MAPS I MOLEX ADVANCED PLATING SYSTEM.

75830-3 ***

COLUMN	PIN LENGTH DIM **M	GOLD (Au) THICKNESS micrometers
31=10 COL	0=3.55 mm	0.25 (MAPS)
32=25 COL	1=4.55 mm	
37= 7 COL	2=5.55 mm	
	3=3.55 mm	0.76
	4=4.55 mm	
	5=5.55 mm	
	7=3.55 mm	
	8=4.55 mm	1.27
	9=5.55 mm	

KEYING ORIENTATION
0 = NONE
1 = A
2 = B
ETC...

LEAD-FREE PLATING

P/N	**0*	**1*	**2*	**3*	**4*	**5*	**6*	**7*	**8*
75830-()	0	A	B	C	D	E	F	G	H
KEYING PIN ORIENTATION									

REV TO LEAD-FREE EC NO: UCP2013-0690 DRAWINGS: 2012/09/06 CHKD/MOLFE 2012/09/07 APPR/SMILLER 2012/12/05	QUALITY SYMBOLS ∇=0 ∇=0 ∇=0	GENERAL TOLERANCES (UNLESS SPECIFIED) <table border="1"> <thead> <tr> <th></th> <th>mm</th> <th>INCH</th> </tr> </thead> <tbody> <tr> <td>4 PLACES ±</td> <td>---</td> <td>---</td> </tr> <tr> <td>3 PLACES ±</td> <td>---</td> <td>---</td> </tr> <tr> <td>2 PLACES ±</td> <td>0.25</td> <td>---</td> </tr> <tr> <td>1 PLACE ±</td> <td>0.38</td> <td>---</td> </tr> <tr> <td>0 PLACE ±</td> <td>---</td> <td>---</td> </tr> </tbody> </table>		mm	INCH	4 PLACES ±	---	---	3 PLACES ±	---	---	2 PLACES ±	0.25	---	1 PLACE ±	0.38	---	0 PLACE ±	---	---	DIMENSION STYLE MM ONLY	SCALE 5:1	DESIGN UNITS METRIC	THIRD ANGLE PROJECTION
			mm	INCH																				
		4 PLACES ±	---	---																				
		3 PLACES ±	---	---																				
2 PLACES ±	0.25	---																						
1 PLACE ±	0.38	---																						
0 PLACE ±	---	---																						
DRAFT WHERE APPLICABLE MUST REMAIN WITHIN DIMENSIONS		ANGULAR ±1/2°	DATE 2008/01/22 2008/01/22 2012/12/05	DATE 2008/01/22 2008/01/22 2012/12/05	TITLE GBX 4-PAIR BACKPLANE, LF ELECTRICALLY ENHANCED LEFT END SALES ASSEMBLY	MOLEX																		
SIZE D THIS DRAWING CONTAINS INFORMATION THAT IS PROPRIETARY TO MOLEX INCORPORATED AND SHOULD NOT BE USED WITHOUT WRITTEN PERMISSION		MATERIAL NO. SEE CHART	DOCUMENT NO. SD-75830-310	SHEET NO. 1 OF 1																				