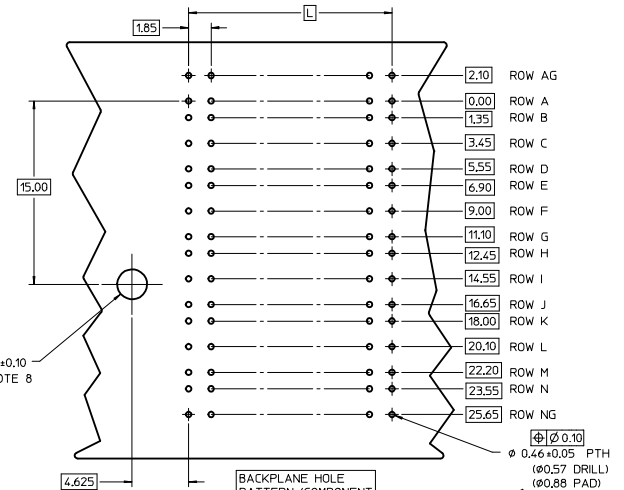
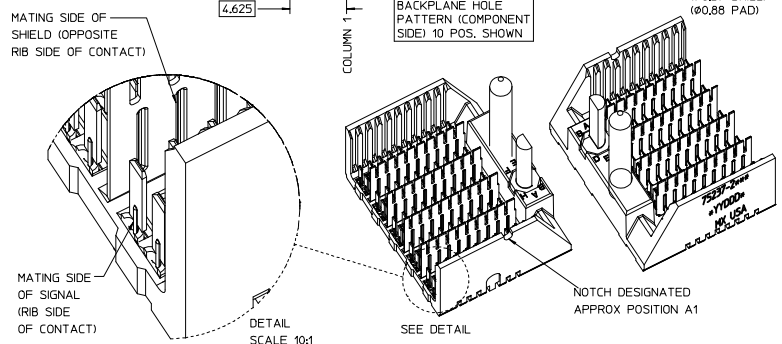
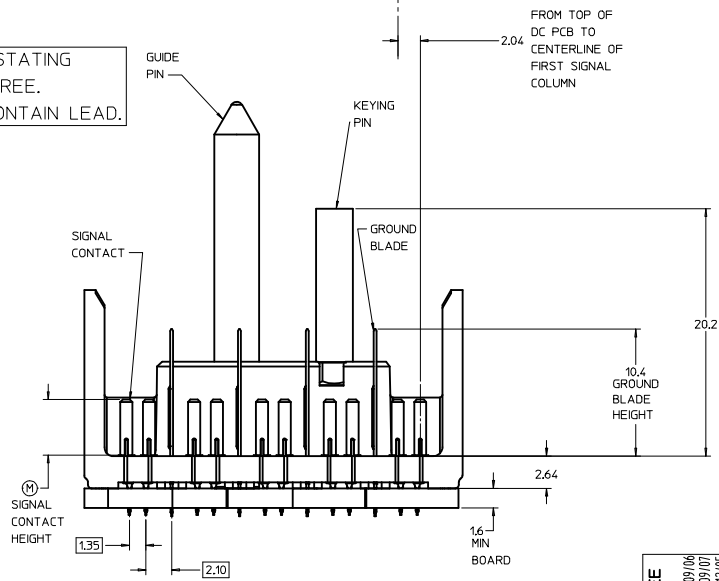
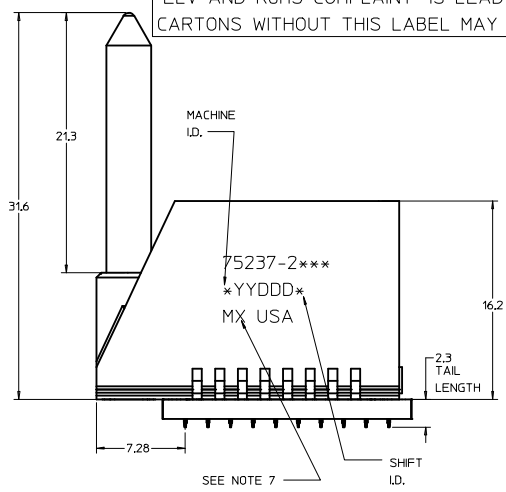


MODULE ORIENTATION
2= LEFT

ROWS AG & NG RECOMMENDED FOR ALL APPLICATIONS. THESE ROWS SHOULD BE CONNECTED TO GROUND



THE PRIMARY CARTON WITH A LABEL STATING "ELV AND RoHS COMPLAINT" IS LEAD FREE. CARTONS WITHOUT THIS LABEL MAY CONTAIN LEAD.



LEAD-FREE PLATING

REV TO LEAD-FREE IEC NO: UICP2013-0690 2012/09/06 CHYKOWITZ 2012/09/07 APPROXIMILLER 2012/12/05	QUALITY SYMBOLS	GENERAL TOLERANCES (UNLESS SPECIFIED)	DIMENSION STYLE	SCALE	DESIGN UNITS	THIRD ANGLE PROJECTION
	▽=0	4 PLACES ± ---	mm	MM ONLY	5:1	METRIC
	▽=0	3 PLACES ± ---	INCH			
	▽=0	2 PLACES ± 0.25				
		1 PLACE ± 0.38				
		0 PLACE ±				
		ANGULAR ±1/2°				
		DRAFT WHERE APPLICABLE MUST REMAIN WITHIN DIMENSIONS				
			MATERIAL NO.	DOCUMENT NO.		
			SEE CHART	SD-75237-210		
						SHEET NO. 1 OF 1

GBX 5-PAIR LF LEFT END BACKPLANE SALES ASSEMBLY

molex