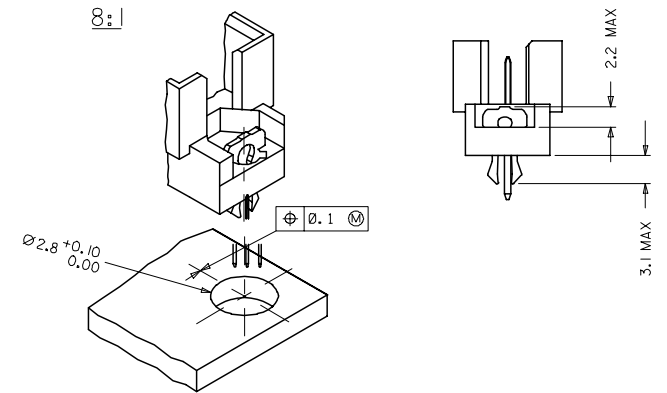
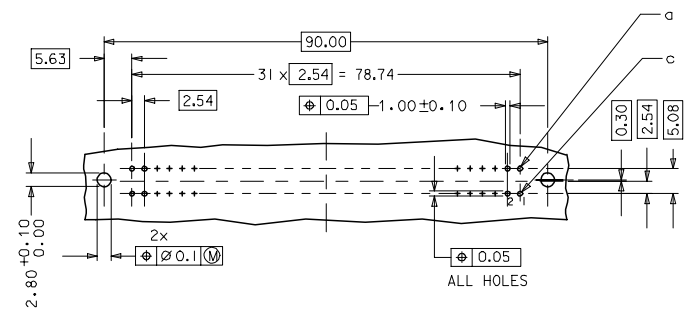


WITH MOUNTING CLIPS



- NOTES:
- 1) MATERIALS: THERMOPLASTIC POLYESTER, GLASS FILLED, UL94V-0, COLOUR: PEBBLE GREY RAL 7032
TERMINAL - BRASS
MOUNTING CLIP: STEEL
 - 2) FINISH: TERMINAL:-
CONTACT AREA:
1. PERFORMANCE LEVEL 1; SELECTIVE GOLD (Au), THICKNESS = 1.1 MICROMETER
OVER NICKEL, THICKNESS = 1.25 MICROMETER
2. PERFORMANCE LEVEL 2; SELECTIVE GOLD (Au), THICKNESS = 0.6 MICROMETER
OVER NICKEL, THICKNESS = 1.25 MICROMETER
3. PERFORMANCE LEVEL 3; SELECTIVE GOLD (Au), THICKNESS = 0.3 MICROMETER
OVER NICKEL, THICKNESS = 1.25 MICROMETER
TERMINATION AREA:
SELECTIVE TIN, THICKNESS = 2.5 MICROMETER
OVER NICKEL, THICKNESS = 1.25 MICROMETER OVERALL
 - 3) MOUNTING CLIP:-
TIN (Sn), THICKNESS = 5-10 MICROMETER,
OVER NICKEL (Ni), THICKNESS = 2.5 MICROMETER
 - 4) FOR NON MOUNTING CLIP OPTION, CONNECTOR TO BE SECURED WITH
RIVETS: 2 TUBULAR RIVETS 2.5 x 0.3 ... DIN 7340
SCREWS: 2 CHEESEHEAD SCREWS M2.5 x ... DIN 84 AND 2 HEXAGONAL NUTS M2.5 DIN 934
 - 5) MATERIAL NUMBER, BATCH CODE, UL AND CSA MARKING
TO BE PRINTED ON THE CONNECTOR
 - 6) CUT FACE OF TIP WITHOUT PLATING PERMITTED
 - 7) PRODUCT SPECIFICATION PS : 36511-001

RECOMMENDED PCB LAYOUT
COMPONENT SIDE

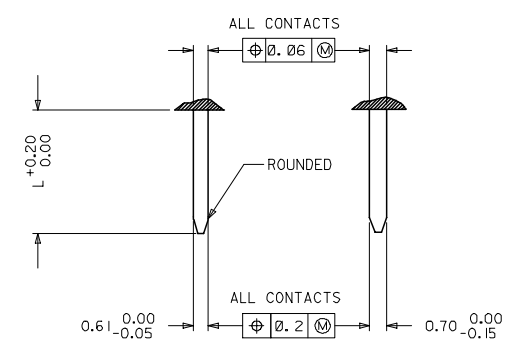


RoHS COMPLIANT

EC No: P2007-0044 DRWNGSATTI/MARAD 2006/10/10 CHKDSSUDHIR 2006/10/11 APPR3SSUDHIR 2006/10/17	QUALITY SYMBOLS	GENERAL TOLERANCES (UNLESS SPECIFIED)	DIMENSION STYLE	SCALE	DESIGN UNITS	THIRD ANGLE PROJECTION																				
	$\nabla=0$ $\nabla=0$	<table border="1"> <tr><th colspan="2">mm</th><th colspan="2">INCH</th></tr> <tr><td>4 PLACES ±</td><td>±</td><td>±</td><td>±</td></tr> <tr><td>3 PLACES ±</td><td>0.05</td><td>±</td><td>---</td></tr> <tr><td>2 PLACES ±</td><td>0.1</td><td>±</td><td>---</td></tr> <tr><td>1 PLACE ±</td><td>0.15</td><td>±</td><td>---</td></tr> </table>	mm		INCH		4 PLACES ±	±	±	±	3 PLACES ±	0.05	±	---	2 PLACES ±	0.1	±	---	1 PLACE ±	0.15	±	---	MM ONLY	2:1	METRIC	
	mm		INCH																							
	4 PLACES ±	±	±	±																						
3 PLACES ±	0.05	±	---																							
2 PLACES ±	0.1	±	---																							
1 PLACE ±	0.15	±	---																							
<table border="1"> <tr><td>DRAWN BY</td><td>DATE</td><td>TITLE</td></tr> <tr><td>SS</td><td>1999/09/24</td><td>ASSEMBLY, DIN 41612</td></tr> <tr><td>CHECKED BY</td><td>DATE</td><td>R MALE 64 SOLDER</td></tr> <tr><td>G J LOWE</td><td>1999/09/24</td><td></td></tr> <tr><td>APPROVED BY</td><td>DATE</td><td></td></tr> <tr><td>G J LOWE</td><td>1999/09/24</td><td></td></tr> </table>	DRAWN BY	DATE	TITLE	SS	1999/09/24	ASSEMBLY, DIN 41612	CHECKED BY	DATE	R MALE 64 SOLDER	G J LOWE	1999/09/24		APPROVED BY	DATE		G J LOWE	1999/09/24		MATERIAL NO.		DOCUMENT NO.		SHEET NO.			
DRAWN BY	DATE	TITLE																								
SS	1999/09/24	ASSEMBLY, DIN 41612																								
CHECKED BY	DATE	R MALE 64 SOLDER																								
G J LOWE	1999/09/24																									
APPROVED BY	DATE																									
G J LOWE	1999/09/24																									
DRAFT WHERE APPLICABLE MUST REMAIN WITHIN DIMENSIONS	SIZE 1 THIS DRAWING CONTAINS INFORMATION THAT IS PROPRIETARY TO MOLEX INCORPORATED AND SHOULD NOT BE USED WITHOUT WRITTEN PERMISSION	SEE CHART	SD-36511-004	1 OF 2																						

	20	19	18	17	16	15	14	13	12	11	10	9	8	7	6	5	4	3	2	1	
MATERIAL No.	MOLEX ENG No.	PERF LEVEL	PLATING	CONTACT SEQUENCE/ROW	DIM "L" MM	MOUNTING CLIP	FMLB														
36511-0097	MM-B1401-R963	1	Au + Ni	1,2,3...32 a+c	2.9	NO	NO														
36511-0098	MM-B1501-R963	2	Au + Ni	1,2,3...32 a+c	2.9	NO	NO														
36511-0099	MM-B1601-R963	3	Au + Ni	1,2,3...32 a+c	2.9	NO	NO														
36511-0103	MM-B1401-R913	1	Au + Ni	1,2,3...32 a+c	2.9	YES	NO														
36511-0104	MM-B1501-R913	2	Au + Ni	1,2,3...32 a+c	2.9	YES	NO														
36511-0105	MM-B1601-R913	3	Au + Ni	1,2,3...32 a+c	2.9	YES	NO														
36511-0109	MM-B1401-R933	1	Au + Ni	1,2,3...32 a+c	2.9	NO	1,32a 1,32c														
36511-0110	MM-B1501-R933	2	Au + Ni	1,2,3...32 a+c	2.9	NO	1,32a 1,32c														
36511-0111	MM-B1601-R933	3	Au + Ni	1,2,3...32 a+c	2.9	NO	1,32a 1,32c														
36511-0115	MM-B1401-R953	1	Au + Ni	1,2,3...32 a+c	2.9	YES	1,32a 1,32c														
36511-0116	MM-B1501-R953	2	Au + Ni	1,2,3...32 a+c	2.9	YES	1,32a 1,32c														
36511-0117	MM-B1601-R953	3	Au + Ni	1,2,3...32 a+c	2.9	YES	1,32a 1,32c														
36511-0121	MM-B1402-R963	1	Au + Ni	1,2,3...32 a+c	4.5	NO	NO														
36511-0122	MM-B1502-R963	2	Au + Ni	1,2,3...32 a+c	4.5	NO	NO														
36511-0123	MM-B1602-R963	3	Au + Ni	1,2,3...32 a+c	4.5	NO	NO														
36511-0127	MM-B1402-R913	1	Au + Ni	1,2,3...32 a+c	4.5	YES	NO														
36511-0128	MM-B1502-R913	2	Au + Ni	1,2,3...32 a+c	4.5	YES	NO														
36511-0129	MM-B1602-R913	3	Au + Ni	1,2,3...32 a+c	4.5	YES	NO														
36511-0133	MM-B1402-R933	1	Au + Ni	1,2,3...32 a+c	4.5	NO	1,32a 1,32c														
36511-0134	MM-B1502-R933	2	Au + Ni	1,2,3...32 a+c	4.5	NO	1,32a 1,32c														
36511-0135	MM-B1602-R933	3	Au + Ni	1,2,3...32 a+c	4.5	NO	1,32a 1,32c														
36511-0139	MM-B1402-R953	1	Au + Ni	1,2,3...32 a+c	4.5	YES	1,32a 1,32c														
36511-0140	MM-B1502-R953	2	Au + Ni	1,2,3...32 a+c	4.5	YES	1,32a 1,32c														
36511-0141	MM-B1602-R953	3	Au + Ni	1,2,3...32 a+c	4.5	YES	1,32a 1,32c														

DETAILY DETAILX



PRE MATING CONTACTS	5.4
NORMAL CONTACTS	4.8
	L

RoHS COMPLIANT

EC No: 2007/0044 DRWSATTI/MARAD 2006/10/10 CHK/SS/SHR 2006/10/11 APPR/SS/SHR 2006/10/17	QUALITY SYMBOLS ▽=0 ▽=0	GENERAL TOLERANCES (UNLESS SPECIFIED) mm INCH		DIMENSION STYLE MM ONLY		SCALE 2:1	DESIGN UNITS METRIC	THIRD ANGLE PROJECTION	
		4 PLACES ± 0.15 3 PLACES ± 0.05 2 PLACES ± 0.1 1 PLACE ± 0.15	± 0.15 ± 0.05 ± 0.1 ± 0.15	DRAWN BY SS	DATE 1999/09/24	CHECKED BY GJLOWE	DATE 1999/09/24	ASSEMBLY, DIN 41612 R MALE 64 POS SOLDER	
DRAFT WHERE APPLICABLE MUST REMAIN WITHIN DIMENSIONS		SEE CHART		MATERIAL NO. SD-36511-004		DOCUMENT NO. MOLEX INCORPORATED		SHEET NO. 2 OF 2	
THIS DRAWING CONTAINS INFORMATION THAT IS PROPRIETARY TO MOLEX INCORPORATED AND SHOULD NOT BE USED WITHOUT WRITTEN PERMISSION									