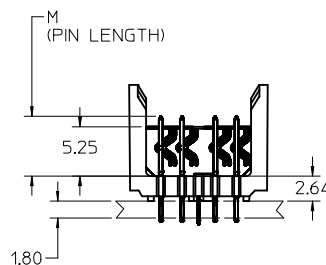
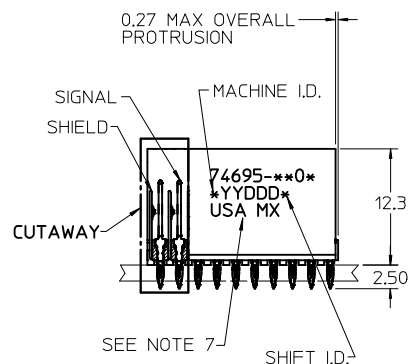
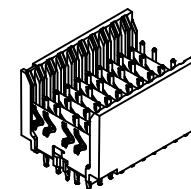


$\phi 0.66$  DRILL  
 $\phi 0.56 \pm 0.05$  PTH  
 $\phi 1.00$  PAD  
 $\phi \phi 0.10$   
**BACKPLANE HOLE PATTERN**  
**RECOMMENDED DIMENSION**

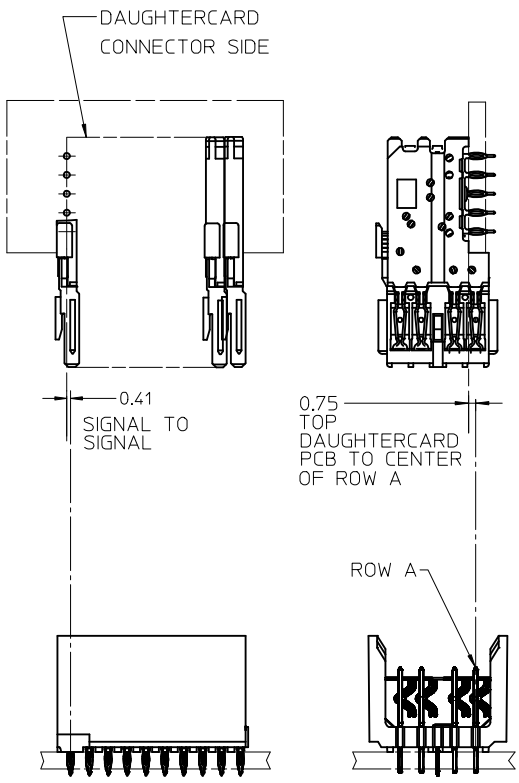


**NOTES:**

1. MATERIAL: HOUSING -LIQUID CRYSTAL POLYMER (LCP). GLASS-FILLED. UL 94 V-0. COLOR BLACK. SIGNAL & SHIELD -COPPER ALLOY.
2. FINISHES: SELECTIVE GOLD (Au) ON CONTACT AREA. SELECTIVE MATTE TIN (Sn) ON PCB TAILS. NICKEL (Ni) OVERALL.
3. THIS PART CONFORMS TO MOLEX PRODUCT SPECIFICATION PS-74031-999.
4. FOR MIXED CONTACT MATING LENGTHS CONSULT MOLEX FOR AVAILABILITY.
5. FOR SPECIFIC PART NUMBER AND MATING INFORMATION REFER TO SHEET 2.
6. PACKAGE PER PK-74695-003.
7. EITHER MARK PART NUMBER AND DATE CODE APPROXIMATELY WHERE SHOWN OR PLACE LABEL ON THE TUBE.
8. MAPS (MOLEX ADVANCED PLATING SYSTEM).

THE PRIMARY CARTON WITH A LABEL STATING "ELV AND RoHS COMPLIANT" IS LEAD FREE. CARTONS WITHOUT THIS LABEL MAY CONTAIN LEAD.

<b>LEAD FREE CONVERSION</b> EC NO: UCP2013-0687 DRAWINGS: 2012/08/20 CHKD:MWLF 2012/11/28 APPR:SMILLER 2012/12/14 REV:	QUALITY SYMBOLS	GENERAL TOLERANCES (UNLESS SPECIFIED)	DIMENSION STYLE <b>MM ONLY</b>	SCALE 2.5:1	DESIGN UNITS METRIC	THIRD ANGLE PROJECTION
	▽=0	mm INCH	DRAWN BY DATE	TITLE	<b>HSD SALES ASSEMBLY</b> <b>5 ROW OPEN END BACKPLANE</b>  <b>SD-74695-002</b> DOCUMENT NO. SHEET NO. 1 OF 3	
	▽=0	4 PLACES ± --- ± ---	MOWANG 2001/04/11	CHECKED BY DATE		
	▽=0	3 PLACES ± --- ± ---		NMARTIN 2001/04/14		
	2 PLACES ± --- ± ---		APPROVED BY DATE			
		1 PLACE ± --- ± ---		CBIXLER 2001/04/14		
		0 PLACE ± ±				
		ANGULAR ±1/2°	MATERIAL NO.			
		DRAFT WHERE APPLICABLE MUST REMAIN WITHIN DIMENSIONS	<b>SEE TABLES</b>			
			SIZE C	THIS DRAWING CONTAINS INFORMATION THAT IS PROPRIETARY TO MOLEX INCORPORATED AND SHOULD NOT BE USED WITHOUT WRITTEN PERMISSION		



MATERIAL NUMBER ASSIGNMENT

74695-\*\*\*0\*

SEE TABLES PAGE 3.

- NUMBER OF COLUMNS/PLATING
- 10 = 10 COLUMN MATTE TIN (FORMERLY TIN/LEAD)
  - 12 = 12 COLUMN MATTE TIN (FORMERLY TIN/LEAD)
  - 25 = 25 COLUMN MATTE TIN (FORMERLY TIN/LEAD)
  - 60 = 10 COLUMN MATTE TIN (MAPS)
  - 62 = 12 COLUMN MATTE TIN (MAPS)
  - 75 = 25 COLUMN MATTE TIN (MAPS)
  - 90 = 10 COLUMN MATTE TIN
  - 92 = 12 COLUMN MATTE TIN
  - 85 = 25 COLUMN MATTE TIN

SEE SHEET 1 EC NO: UCP2013-0687 DRAWINGS: 2012/08/20 CHKD: MWOLFE 2012/11/28 APPR: SMILLER 2012/12/14	QUALITY SYMBOLS ▽=0 ▽=0 ▽=0	GENERAL TOLERANCES (UNLESS SPECIFIED) mm INCH 4 PLACES ± --- ± --- 3 PLACES ± --- ± --- 2 PLACES ± --- ± --- 1 PLACE ± --- ± --- 0 PLACE ± ±	DIMENSION STYLE MM ONLY DRAWN BY DATE MWANG 2001/04/11 CHECKED BY DATE NMARTIN 2001/04/14 APPROVED BY DATE CBIXLER 2001/04/14	SCALE 2.5:1 DESIGN UNITS METRIC THIRD ANGLE PROJECTION	TITLE HSD SALES ASSEMBLY 5 ROW OPEN END BACKPLANE <b>molex</b>
	DRAFT WHERE APPLICABLE MUST REMAIN WITHIN DIMENSIONS	MATERIAL NO. SEE TABLES	DOCUMENT NO. SD-74695-002	SHEET NO. 2 OF 3	
	THIS DRAWING CONTAINS INFORMATION THAT IS PROPRIETARY TO MOLEX INCORPORATED AND SHOULD NOT BE USED WITHOUT WRITTEN PERMISSION				
	SIZE C				

PART NUMBER	COLUMN	NUMBER OF SIGNAL PIN	NUMBER OF SHIELD	A	B	M	GOLD THICKNESS MICROMETER	TIN THICKNESS MICROMETER
<b>74695-6001</b>	10	40	10	20.00	18.00	4.75	0.25 MAPS	0.76-1.52
74695-9001							0.76	
74695-9006							1.27	
<b>74695-6201</b>	12	48	12	24.00	22.00		0.25 MAPS	
74695-9201							0.76	
74695-9206							1.27	
<b>74695-7501</b>	25	100	25	50.00	18.00	0.25 MAPS		
74695-8501						0.76		
74695-8506						1.27		
<b>74695-6002</b>	10	40	10	20.00	18.00	0.25 MAPS		
74695-9002						0.76		
74695-9007						1.27		
<b>74695-6202</b>	12	48	12	24.00	22.00	0.25 MAPS		
74695-9202						0.76		
74695-9207						1.27		
<b>74695-7502</b>	25	100	25	50.00	18.00	0.25 MAPS		
74695-8502						0.76		
74695-8507						1.27		
<b>74695-6003</b>	10	40	10	20.00	18.00	0.25 MAPS		
74695-9003						0.76		
74695-9008						1.27		
<b>74695-6203</b>	12	48	12	24.00	22.00	0.25 MAPS		
74695-9203						0.76		
74695-9208						1.27		
<b>74695-7503</b>	25	100	25	50.00	18.00	0.25 MAPS		
74695-8503						0.76		
74695-8508						1.27		
<b>74695-6004</b>	10	40	10	20.00	18.00	0.25 MAPS		
74695-9004						0.76		
74695-9009						1.27		
<b>74695-6204</b>	12	48	12	24.00	22.00	0.25 MAPS		
74695-9204						0.76		
74695-9209						1.27		
<b>74695-7504</b>	25	100	25	50.00	18.00	0.25 MAPS		
74695-8504						0.76		
74695-8509						1.27		

PART NUMBER	COLUMN	NUMBER OF SIGNAL PIN	NUMBER OF SHIELD	A	B	M	GOLD THICKNESS MICROMETER	TIN THICKNESS MICROMETER				
74695-1001	10	40	10	20.00	18.00	4.75	0.76	0.76-1.52				
74695-1006							1.27					
74695-1201							0.76					
74695-1206	12	48	12	24.00	22.00		1.27					
74695-2501							0.76					
74695-2506							1.27					
74695-1002	10	40	10	20.00	18.00	0.76						
74695-1007						1.27						
74695-1202						12	48		12	24.00	22.00	0.76
74695-1207	1.27											
74695-2502	0.76											
74695-2507	25	100	25	50.00	48.00	1.27						
74695-1003						10	40		10	20.00	18.00	0.76
74695-1008												1.27
74695-1203	12	48	12	24.00	22.00							0.76
74695-1208						1.27						
74695-2503						25	100		25	50.00	48.00	0.76
74695-2508	1.27											
74695-1004	10	40	10	20.00	18.00			0.76				
74695-1009						1.27						
74695-1204						12	48	12	24.00	22.00	0.76	
74695-1209	1.27											
74695-2504	25	100	25	50.00	48.00						0.76	
74695-2509						1.27						

LEAD FREE  
(FORMERLY TIN/LEAD)  
CHART

LEAD FREE CHART

<b>SEE SHEET 1</b> EC NO: UCP2013-0687 DRAWINGS 2012/08/20 CHKD:HWOLFE 2012/11/28 APPR:SMILLER 2012/12/14	QUALITY SYMBOLS 	GENERAL TOLERANCES (UNLESS SPECIFIED)		DIMENSION STYLE	SCALE	DESIGN UNITS	THIRD ANGLE PROJECTION	
				MM ONLY	2.5:1	METRIC		
				DRAWN BY	DATE	TITLE		
				DATE	DATE	HSD SALES ASSEMBLY 5 ROW OPEN END BACKPLANE		
		APPROVED BY		DATE				
		MATERIAL NO.		DATE	DOCUMENT NO.			
		SEE TABLE		2001/04/14	SD-74695-002			
		DRAFT WHERE APPLICABLE MUST REMAIN WITHIN DIMENSIONS		DATE	SHEET NO.			
				2001/04/14	3 OF 3			
		THIS DRAWING CONTAINS INFORMATION THAT IS PROPRIETARY TO MOLEX INCORPORATED AND SHOULD NOT BE USED WITHOUT WRITTEN PERMISSION						