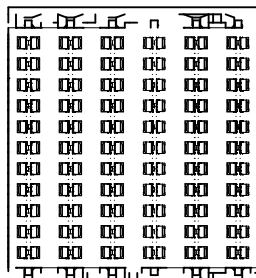
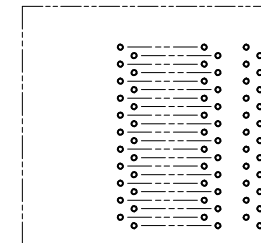
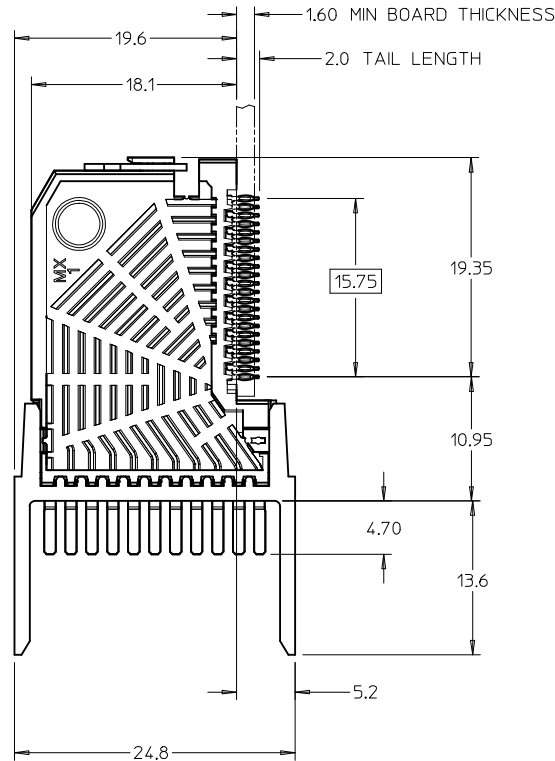
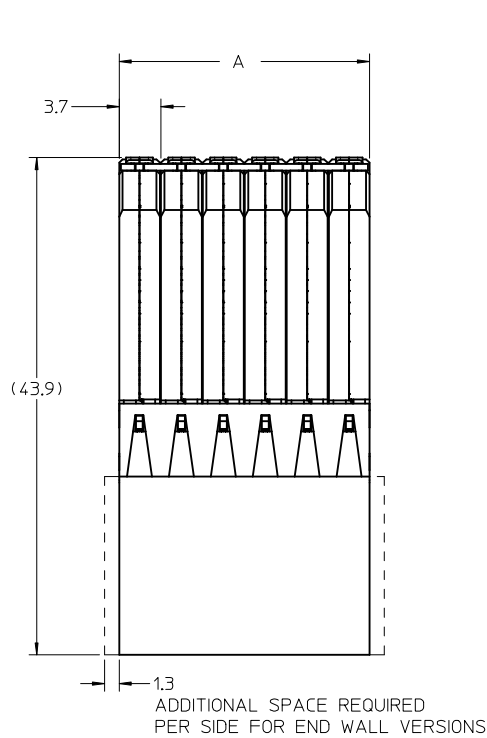


NOTES:

1. MATERIALS: HOUSING - LIQUID CRYSTAL POLYMER (LCP), BLACK, UL94V-0
TERMINALS - HIGH PERFORMANCE COPPER ALLOY.
2. FINISH: SELECTIVE GOLD IN CONTACT AREA.
SELECTIVE MATTE TIN ON PCB TAILS, NICKEL OVERALL.
3. REFER TO MOLEX PRODUCT SPECIFICATION PS-75710-999 FOR PERFORMANCE SPECIFICATIONS.
4. PACKAGED PER PK-70873-585.
5. THIS PART CONFORMS TO CLASS B REQUIREMENTS OF MOLEX COSMETIC SPEC PS-45499-002.
6. GUIDED PARTS TO BE SHIPPED WITH 2-32 TYPE AB SELF-TAPPING SCREW P/N 73726-0000.
7. MAPS (MOLEX ADVANCED PLATING SYSTEM).

MATERIAL NUMBER	# OF COLUMNS	DIM "A" MAX	DIM "B"
75910-*5**	5	18.50	14.80
75910-*6**	6	22.20	18.50
75910-*1**	10	37.00	33.30



LEAD FREE CONV./MAPS EC NO: UCP2013-4121 DRWR:RHIPPLE 2013/04/01 CHKD:MWOLFE 2013/04/01 APPR:SMILLER 2013/07/15	QUALITY SYMBOLS ▽=0 ▽=0 ▽=0	GENERAL TOLERANCES (UNLESS SPECIFIED)		DIMENSION STYLE MM ONLY		SCALE 3:1	DESIGN UNITS METRIC	THIRD ANGLE PROJECTION	
		4 PLACES ± ---	± ---	mm	INCH	DRAWN BY JLAURX	DATE 2005/9/13	TITLE I-TRAC 11 ROW RAM ASS'Y DIFFERENTIAL LONG NOSE UNGUIDED molex	
3 PLACES ± ---	± ---	ANGULAR ±1/2°		CHECKED BY ELO	DATE 2006/11/09	DOCUMENT NO. SD-75910-001			
2 PLACES ± 0.13	± ---	DRAFT WHERE APPLICABLE MUST REMAIN WITHIN DIMENSIONS		APPROVED BY CBIXLER	DATE 2006/11/10	SHEET NO. 1 OF 3			
1 PLACE ± 0.25	± ---	SIZE C		THIS DRAWING CONTAINS INFORMATION THAT IS PROPRIETARY TO MOLEX INCORPORATED AND SHOULD NOT BE USED WITHOUT WRITTEN PERMISSION					
0 PLACE ±	±								